



GSM ANTENNA

Anténa GSM Magnet Mount 25,
Dual-band, 2.5dBi, SMA(m),
RG174/5m

XAO-AGSM-MG2S

SECTRON company offers a wide portfolio of GSM antennas with various versions differing in shape, level of gain and manner of attachment. SECTRON guarantees a compatible connection between an antenna and all antenna adaptors produced by SECTRON.

BENEFITS

- Easy installation
- Omnidirectional - suitable for moving devices

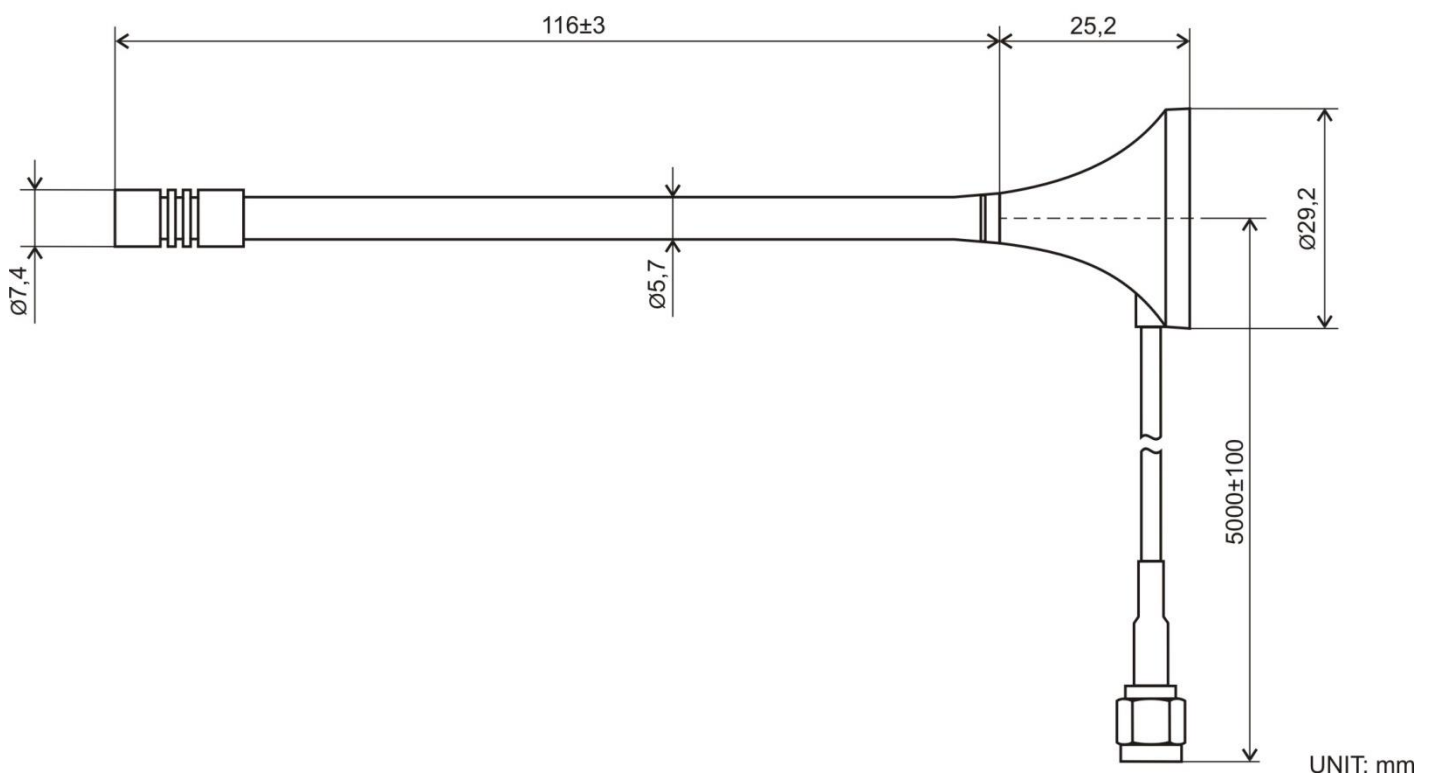


FEATURES

XAO-AGSM-MG2S

Technology	GSM
Frequency bands	900/1800 MHz
Bandwidth	-
Gain	5 dBi
VSWR	<2.5: 1
Impedance	50 Ohm
Directivity	Omnidirectional
Beam angle	H 360° V 30°
Polarization	Linear
Maximum input power	10 W
Power voltage	-
Dimensions	131.2 x Ø 29.2 mm
Weight	70.63 g
Operating temperature	-30 to +90 ° C
Execution	External
Method of attachment	Magnet Mount
Cable type	RG174/U
The cable length	5 m
Connector type	SMA(m)

DRAWING



Different connector variants or cable lengths are available on request.