



Bullet™ 360T Multi-GNSS Active Antenna

Multi Constellation

The Bullet™ 360T is a ruggedized weatherproof multi-GNSS antenna. The product supports GPS, Galileo, Beidou and GLONASS constellations.

When used with a GNSS receiver, such as Trimble's RES360™ module, the system offers unparalleled accuracy to meet the stringent synchronization needs of the next-generation networks in various industry verticals including 5G X-Haul, Smart Grid, Data Center, SATCOM, Calibration Services and Industrial Automation.

Designed for Urban Environment

The Bullet™ 360T active antenna is designed for long cable runs and noisy RF environments. In challenging urban RF environments, the high antenna gain will significantly improve the performance of GNSS receiver.

Anti-Jamming

The Bullet 360T antenna protects GNSS receivers from interference and intentional jamming. The filtering apparatus implemented in the antenna improves immunity to other RF signals for reliable performance in hostile RF jamming environments.

Put it anywhere

The antenna is housed in weatherproof packaging designed to withstand exposure to shock, vibration, extreme temperatures, rain, snow and sunlight. The dome is all plastic, and the threaded socket in the base of the antenna. The socket accepts either a 1"-14" straight thread (typical marine antenna mount) or a 3/4" pipe thread.

The TNC antenna connector is located inside the threaded socket, which allows the antenna cable to be routed inside a mounting pole and protects the cable connection.

Key Features

- ▶ Active Antenna with built-in LNA.
- ▶ Multi-constellation – GPS, GLONASS, Galileo & Beidou
- ▶ High Gain, low noise, high out-of-band rejection.
- ▶ Built-in lightning protection that meets/exceeds of handling IEC 61000-4 specifications.
- ▶ Ruggedized IP67 enclosure and supports extended temperature environments.
- ▶ Wide operating voltage range.



Overall Specification

Characteristics	Specification	
Frequency Range	L1: 1561~1602 MHz	
Peak Gain	1561 MHz	34.0±3.0 dB
	1575.42 MHz	35.4±3.0 dB
	1602 MHz	33.5±3.0 dB
Output VSWR	2.5 typ.	
Noise Figure	3.5 dB typ. (Pre-Saw)	
Operation Voltage	3.0~5.0 V	
Current	9.0±3.0 mA	

Package

- Multiple installation options and pole diameters ½ to 3 ½ inch.
- 3.05"D x 2.61" H (77.5mm x 66.2mm)
- Connector: TNC Female

Weight

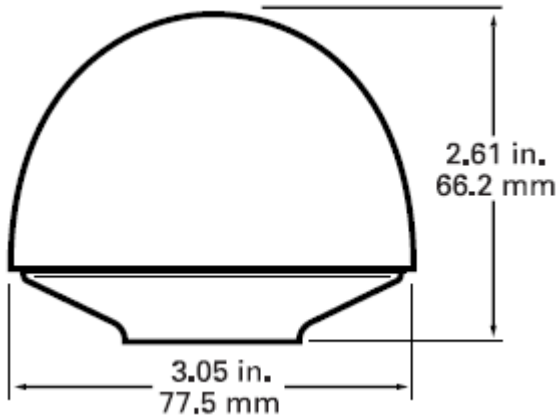
- 182g – 10g

Environmental Data, Quality & Reliability

- Operating temp. -40 °C to +90 °C
- Storage temp. -40 °C to +90 °C
- Anti-Corrosion -based on JIS Z 2371, Spray 5% Salt Water 35°C, Should not rust after 96Hrs
- Humidity 85% (mx)
- MTBF >500K Hours
- RoHS compliant (lead-free)
- Green (halogen-free)
- V0 Flammability Rated
- ETSI-RED Compliant
- Weatherproof with IPX7 compliance
- Certification: FCC, CE, Industry Canada (IC)

Filter/LNA Specification

Characteristics	Specification		
Frequency Range	L1: 1561~1602 MHz		
Gain	1561 MHz	30.0±3.0 dB	
	1575.42 MHz	31.0±3.0 dB	
	1602 MHz	29.0±3.0 dB	
Output VSWR	2.2 typ.		
Noise Figure	2.0 dB typ.		
Filter Out Band Attenuation	F1= 1561 MHz	F1-50 MHz	> 30 dB
		F1-100 MHz	> 40 dB
	F2= 1602 MHz	F2+50 MHz	> 30 dB
		F2+100 MHz	> 40 dB
Operation Voltage	3.0~5.0 V		
Current	9.0±3.0 mA		
ESD	IEC 61000-4-2		



Visit <https://timing.trimble.com> for part numbers and information about where to buy.

- Parts of the product are patent protected.
- Trimble has relied on representations made by its suppliers in certifying this product as RoHS-II compliant.
- Specifications subject to change without notice.
- Trimble is not responsible for the operation or failure of operation of GPS/GNSS satellites or the availability of GPS/GNSS satellite signal.

Disclaimer

Trimble does not assume any liability arising out of the application or use of any product described or shown herein nor does it convey any license under its patents, copyrights, or any rights of others. Licenses or any other rights such as, but not limited to, patents, utility models, trademarks or trade names, are neither granted nor conveyed by this document, nor does this document constitute any obligation of the disclosing party to grant or convey such rights to the receiving party.

Contact your local dealer today

NORTH AMERICA
Trimble Inc.
935 Stewart Dr.
Sunnyvale, CA 94085
USA

Sales: +1-408-481-8258

EUROPE
Trimble Germany GmbH
Am Prime Parc 11 65479
Raunheim
GERMANY

Sales: +49-212-88073933

ASIA-PACIFIC
Trimble Korea
5th FL Dongsung Bldg., 21
Teheran-ro 87-gil
Gangnam-Gu, Seoul
Korea

Sales: +60-193-157-150