



GNSS Repeater GPS/GLONASS Signal Repeater

GP-REP-001

We have been operating in the field of wireless technology for 25 years as a distributor of GSM / UMTS / LTE / GPS / GLONASS modules, modems and routers. We are a manufacturer of antennas, cables and other accessories. The dynamic boom of high-speed and low-power LTE applications turns the Machine-to-Machine (M2M) world into a complex ecosystem of sensors, machines and network applications called the Internet of Things (IoT).

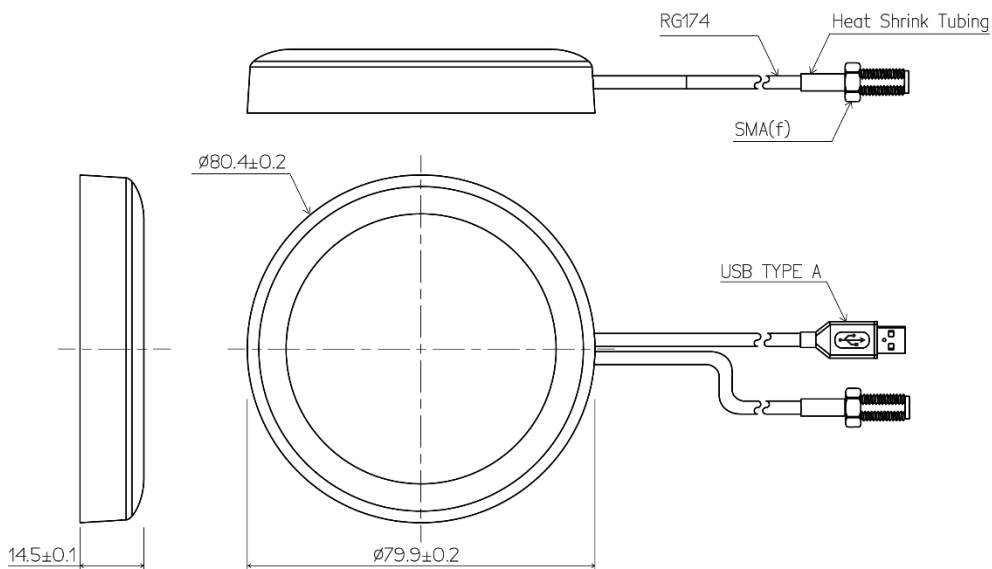
BENEFITS

- Low VSWR
- Easy installation
- High LNA gain



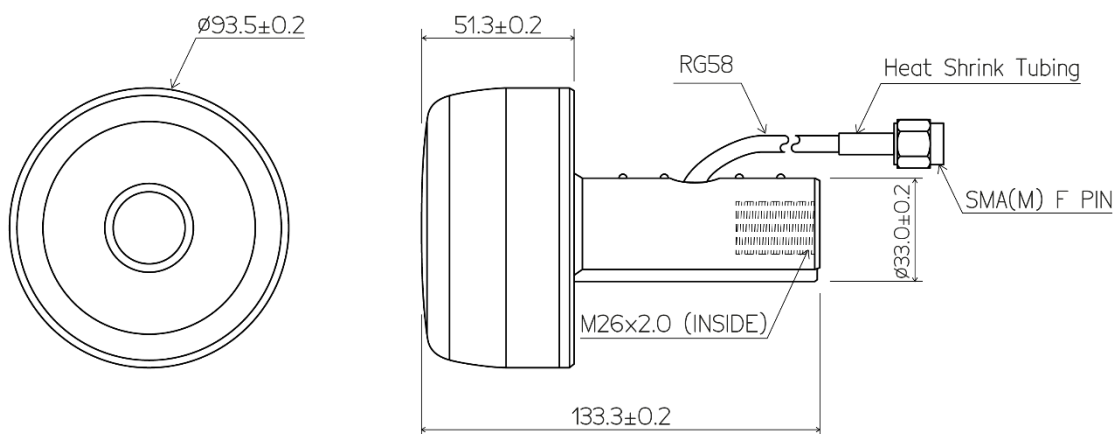
Technology	GPS
Frequency bands	1575.42 MHz
Bandwidth	10 MHz
Gain	4.5 dBi
LNA Gain	40 dB
VSWR	<1.2:1
Impedance	50 Ohm
Directivity	Directional
Beam angle	Attached graphs bellow
Polarization	RHCP
Current consumption	50-100 mA
Power voltage	5 V DC
Dimensions	Ø79.9 x 14.5 mm
Weight	153.19 g
Operating temperature	-40 to +85 °C
Execution	External
Method of attachment	Magnetic/Adhesive
Cable type	RG174
The cable length	2 × 3 m
Connector type	SMA (f) / USB-A
Certification	ISO 9001/ISO 14001
IP code	IP67

DRAWING – TX ANTENNA



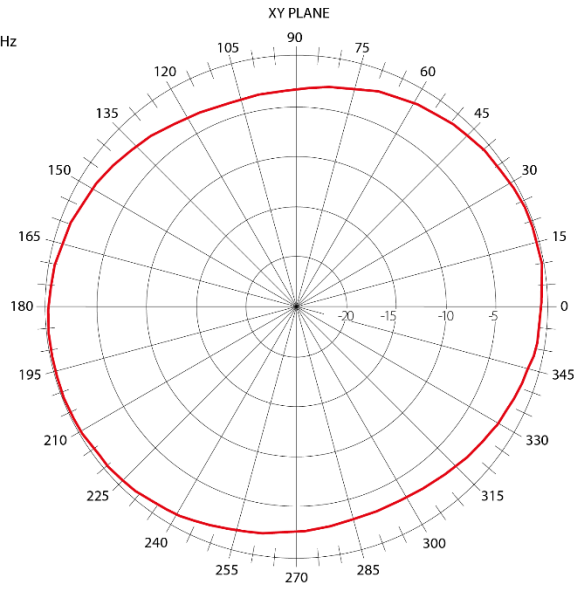
Technology	GPS
Frequency bands	1575.42 MHz
Bandwidth	20 MHz
Gain	5 dBi
LNA Gain	38 dB
VSWR	<1.2:1
Impedance	50 Ohm
Directivity	Directional
Beam angle	Attached graphs bellow
Polarization	RHCP
Maximum input power	-
Power voltage	-
Dimensions	Ø93.5 x 133 ± 0.2 mm
Weight	282.64 g
Operating temperature	-40 to +85 °C
Execution	External
Method of attachment	Mounting
Cable type	RG58
The cable length	3 m
Connector type	SMA(m) F pin
Certification	ISO 9001/ISO 14001
IP code	IP67

DRAWING – RX ANTENNA

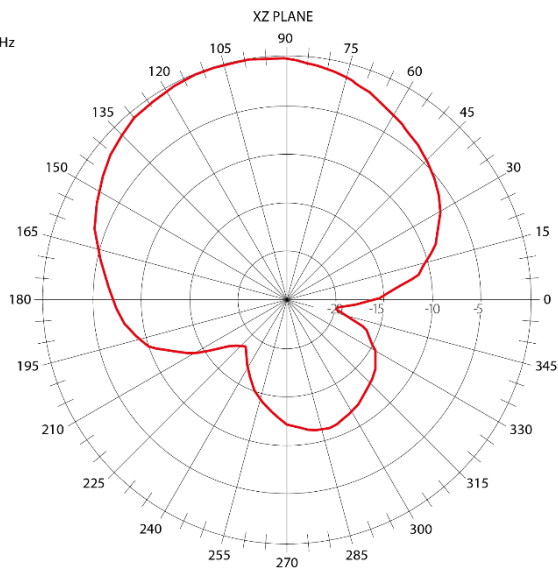


2D – RADIATION PATTERN – TRANSMITTER ANTENNA

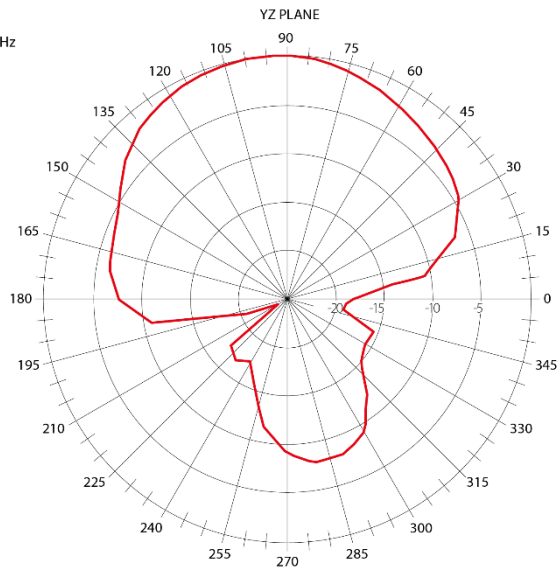
GPS 25x25x4
1575.42 MHz



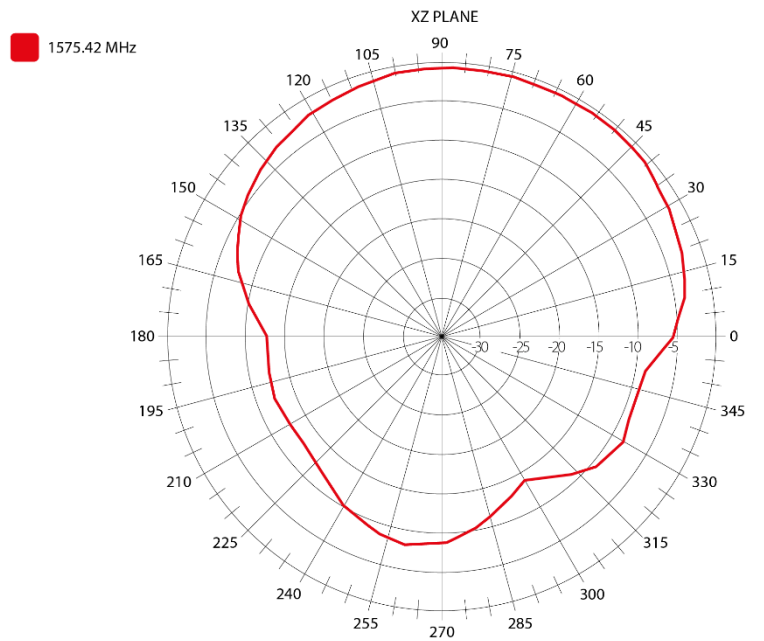
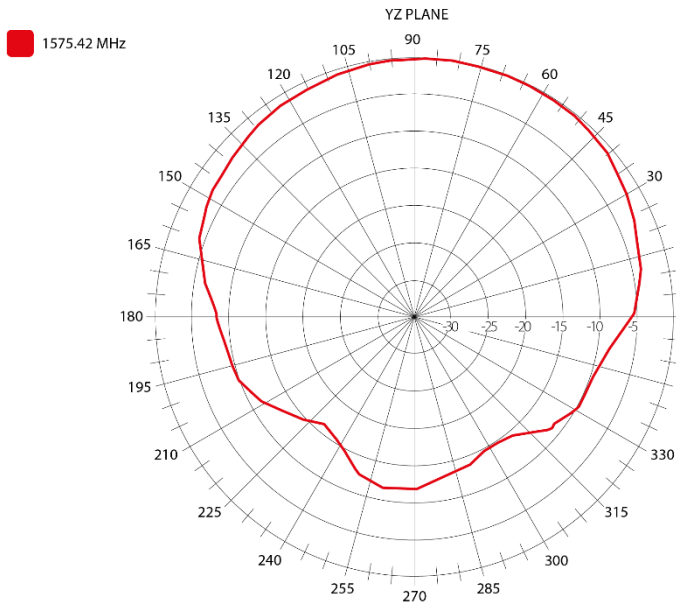
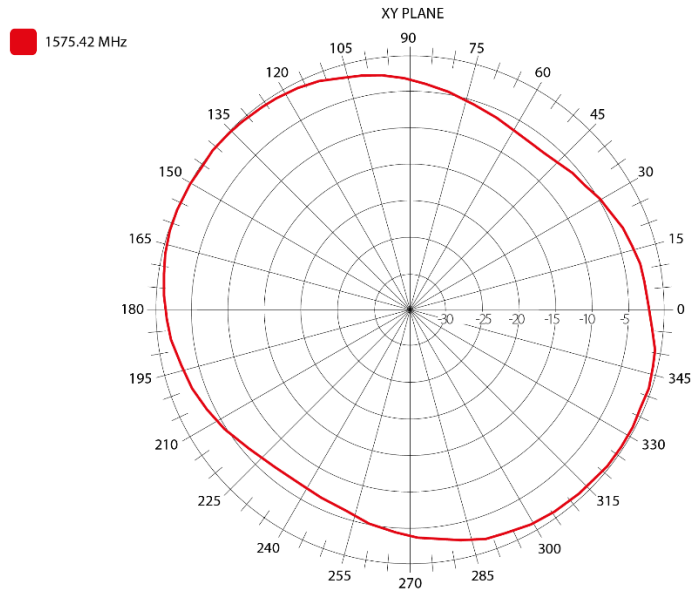
GPS 25x25x4
1575.42 MHz

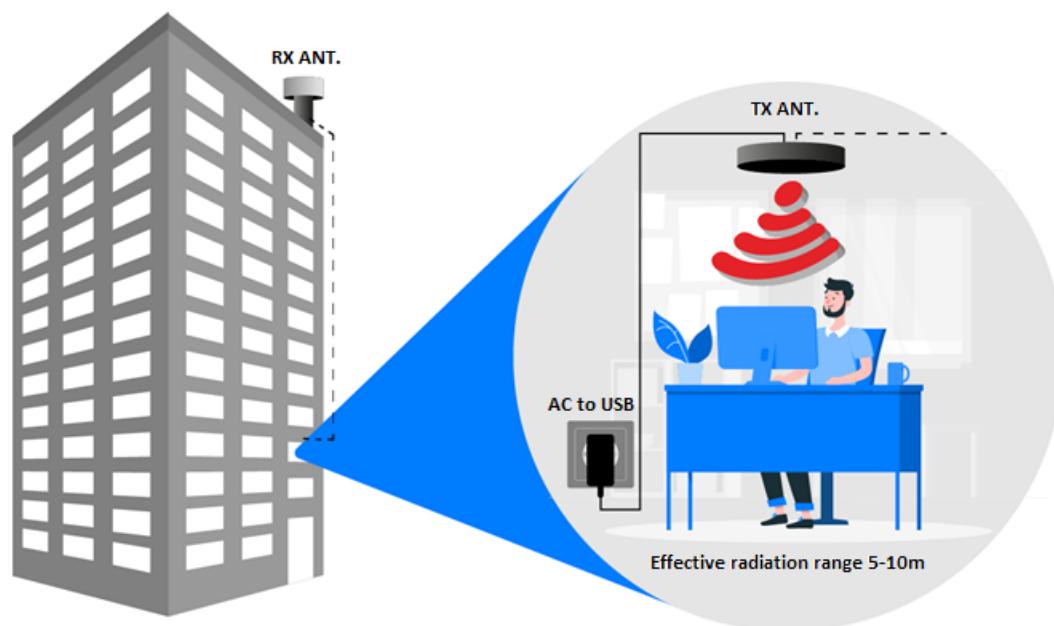


GPS 25x25x4
1575.42 MHz



2D – RADIATION PATTERN – RECIEVER ANTENNA





ALL VARIANTS

Different connectors or cable lengths are available on request.

CONTACTS

SECTRON s.r.o. Josefa Šavla 1271/12
709 00 Ostrava 9, Czech Republic

WWW.SECTRON.CZ
Tel.: +420 556 621 020