



WLAN ANTENNA

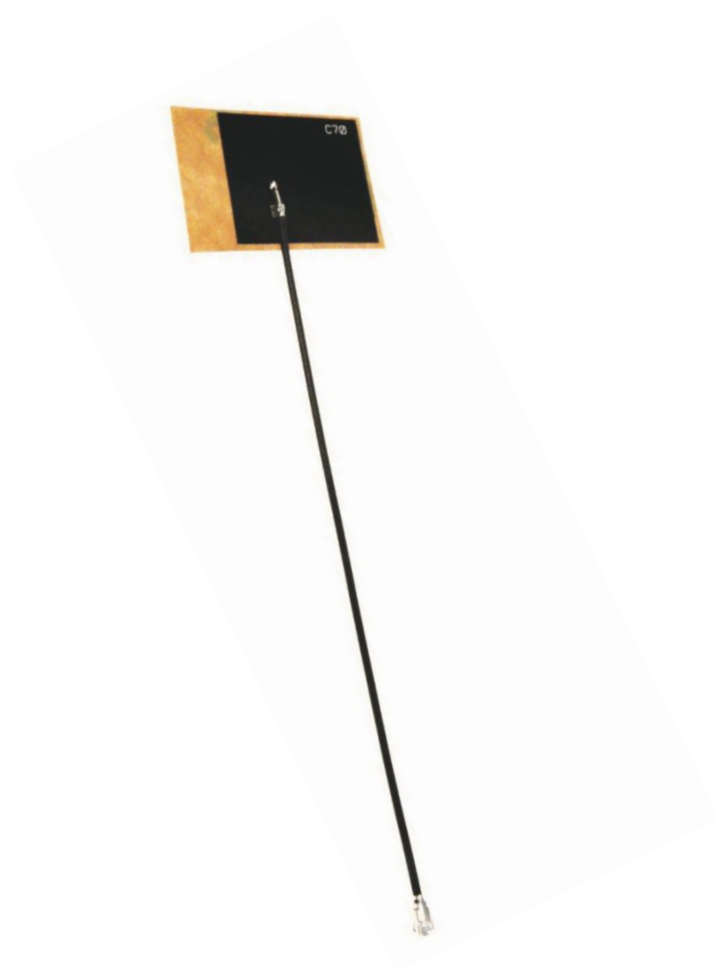
Internal WLAN antenna,
FPC series 27x25x0.1,
Flexi, 2.4GHz, U.FL088/75mm

AW-AW-FPC70U75

SECTRON company offers a wide portfolio of WLAN antennas with various versions differing in shape, level of gain and manner of attachment. SECTRON guarantees a compatible connection between an antenna and all antenna adaptors produced by SECTRON.

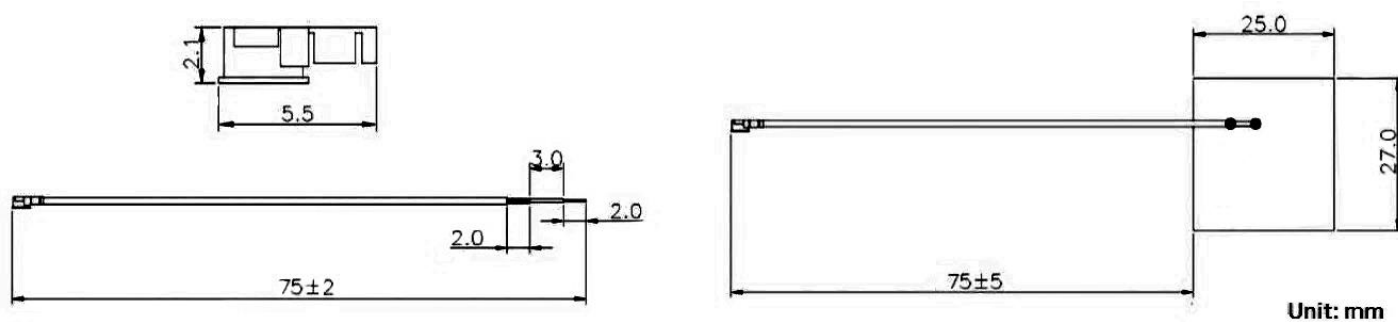
BENEFITS

- High gain
- Low VSWR
- Minimalistic dimensions



Technology	WLAN
Frequency bands	2400/2500 MHz
Bandwidth	-
Gain	5 dBi
VSWR	<1.5:1
Impedance	50 Ohm
Directivity	Omnidirectional
Beam angle	H 360° V 30°
Polarization	Linear
Maximum input power	5 W
Power voltage	-
Dimensions	27 x 25 x 0.15 mm
Weight	0.55 g
Operating temperature	-30 to +80 °C
Execution	Internal
Method of attachment	Adhesive
Cable type	Hirose 0.88
The cable length	75 mm
Connector type	U.FL 088

DRAWING



VARIANTS

AW-AW-FPC70U75

Different connector variants or cable lengths are available on request.

CONTACTS

SECTRON s.r.o. Josefa Šavla 1271/12
709 00 Ostrava 9, Czech Republic

WWW.SECTRON.CZ
Tel.: +420 556 621 021