



WI-FI ANTENNA

Antenna WiFi Adhesive 107,
2 dBi, SMA-RP(f pin),
RG174/3m

AW-A24G-W107SRP

SECTRON company offers a wide portfolio of WI-FI antennas with various versions differing in shape, level of gain and manner of attachment. SECTRON guarantees a compatible connection between an antenna and all antenna adaptors produced by SECTRON.



BENEFITS

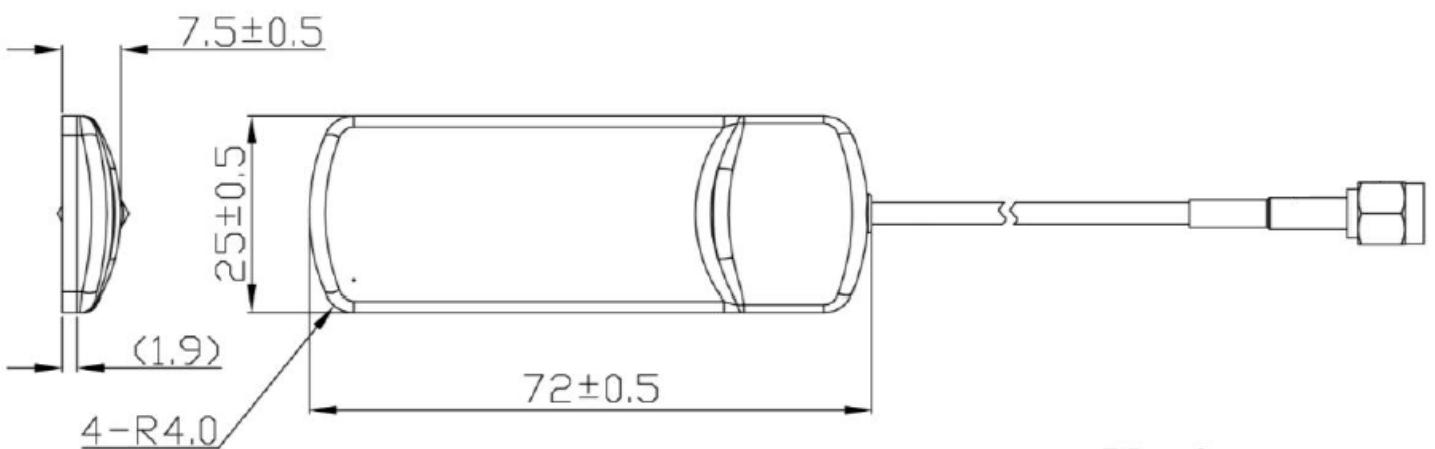
- Low VSWR
- Easy installation

FEATURES

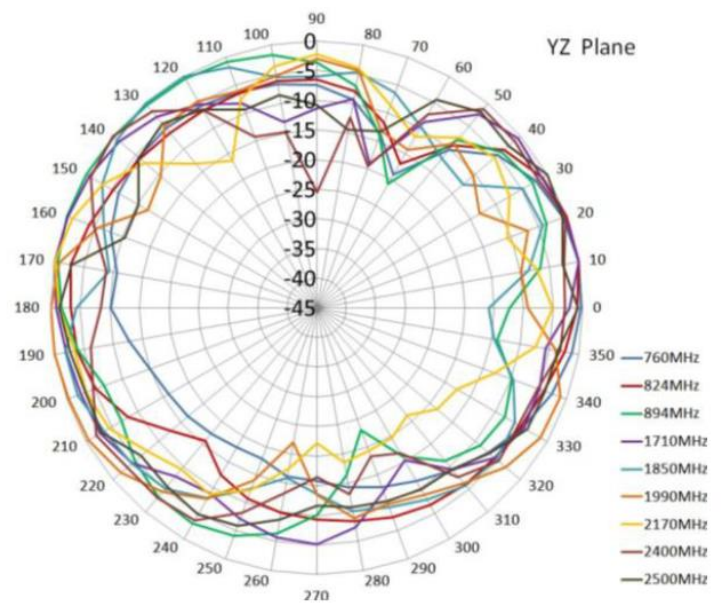
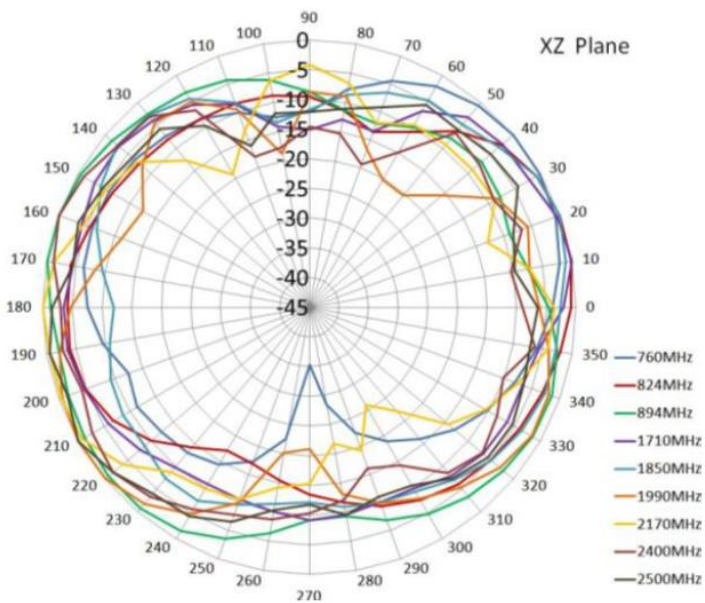
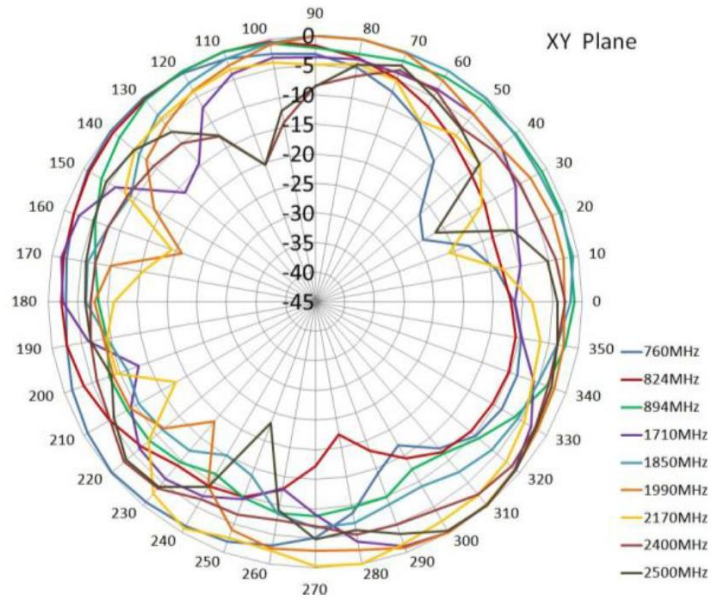
AW-A24G-W107SRP

Technology	WI-FI
Frequency bands	2.4 GHz
Bandwidth	-
Gain	2 dBi
VSWR	<2.0:1
Impedance	50 Ohm
Directivity	Omnidirectional
Beam angle	H 360° V 30°
Polarization	Linear
Maximum input power	10 W
Power voltage	-
Dimensions	72 x 25 x 7 mm
Weight	48.69 g
Operating temperature	-40 to +85 °C
Execution	External
Method of attachment	Adhesive
Cable type	RG174/U
The cable length	3 m
Connector type	SMA-RP(f pin)

DRAWING



Unit: mm



ALL VARIANTS

Different connector variants or cable lengths are available on request.

CONTACTS

SECTRON s.r.o. Josefa Šavla 1271/12
709 00 Ostrava 9, Czech Republic

WWW.SECTRON.CZ
Tel.: +420 556 621 021