



WIFI ANTENNA

Antenna WiFi Stick 90°/180°,
2.4 GHz, SMA(m)

AW-A24G-SPK

SECTRON company offers a wide portfolio of WiFi antennas with various versions differing in shape, level of gain and manner of attachment. SECTRON guarantees a compatible connection between an antenna and all antenna adaptors produced by SECTRON.

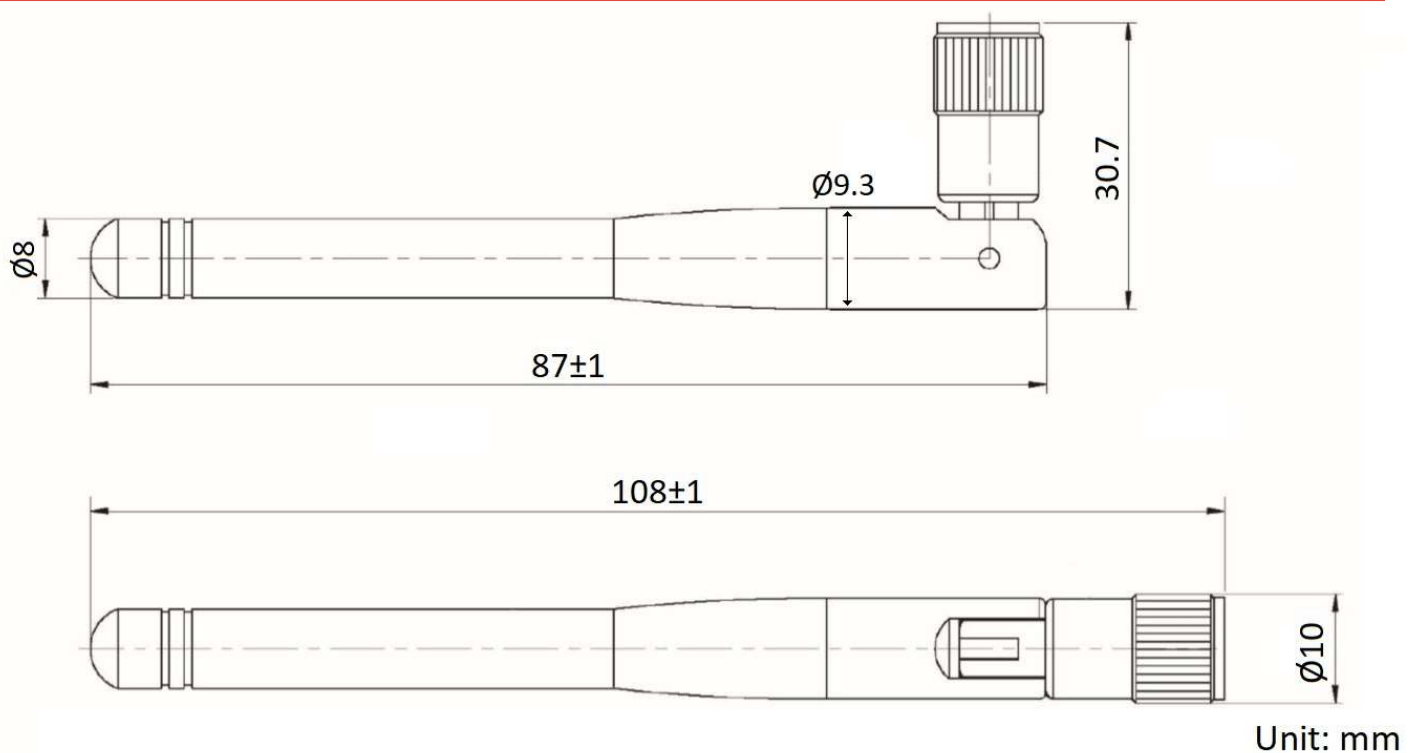
BENEFITS

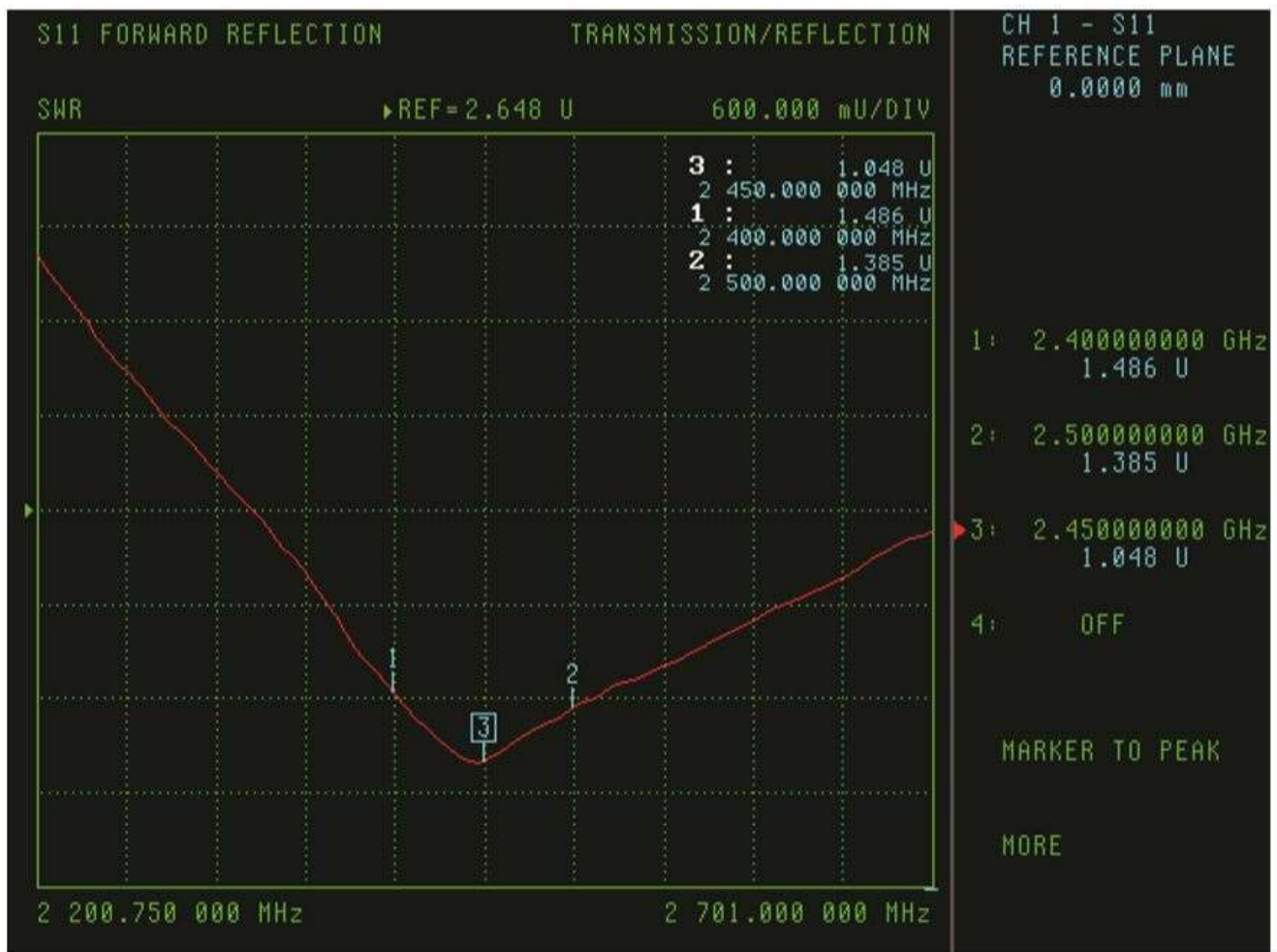
- Low VSWR
- Adjustable angle
- No cable required



Technology	WIFI
Frequency bands	2.4 GHz
Bandwidth	-
Gain	0-1.5 dBi
VSWR	<2.0:1
Impedance	50 Ohm
Directivity	Omnidirectional
Beam angle	H 360° V 30°
Polarization	Linear
Maximum input power	10 W
Power voltage	-
Dimensions	90°: 87 x 30.7 x 10; 180°: 108 x \varnothing 10 mm
Weight	8.11 g
Operating temperature	-20 to + 55 °C
Execution	External
Method of attachment	Screw
Cable type	-
The cable length	-
Connector type	SMA (m)

DRAWING





CONTACTS

SECTRON s.r.o. Josefa Šavla 1271/12
709 00 Ostrava 9, Czech Republic

WWW.SECTRON.CZ
Tel.: +420 556 621 021