



WIFI ANTENNA

Antenna WiFi Magnet Mount,
2.4GHz, 5dB, SMA-RP(f-pin), RG316/1m

AW-A24G-M5SR

SECTRON company offers a wide portfolio of WiFi antennas with various versions differing in shape, level of gain and manner of attachment. SECTRON guarantees a compatible connection between an antenna and all antenna adaptors produced by SECTRON.

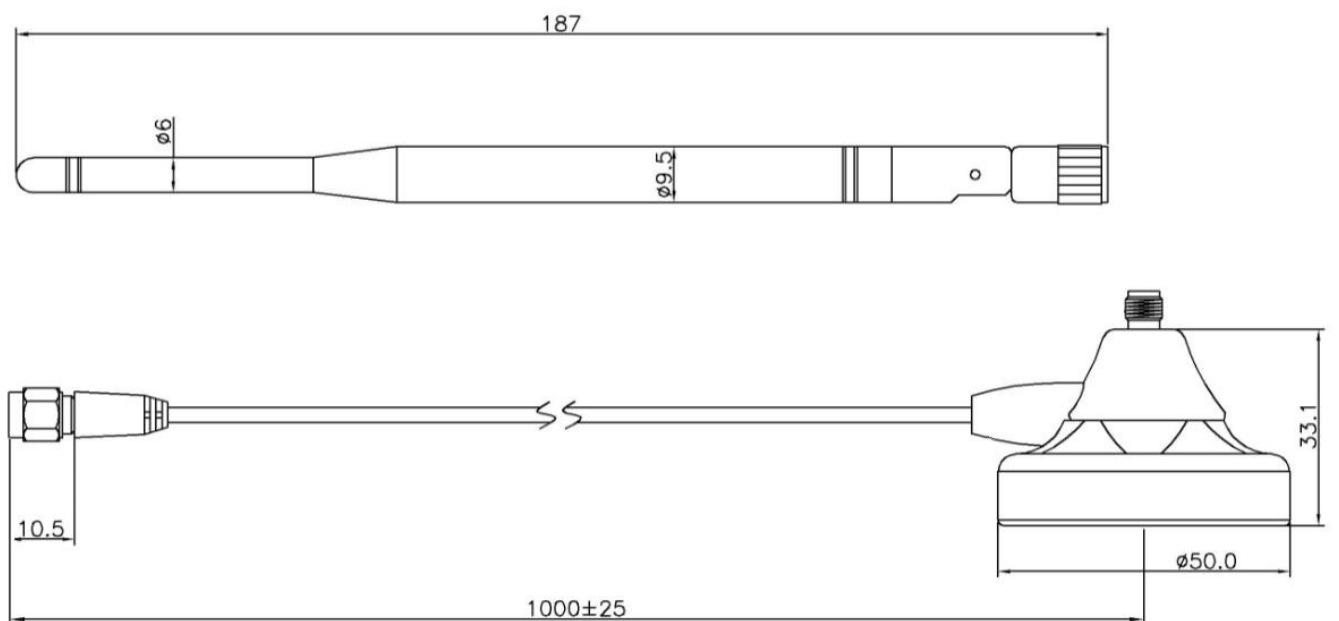


BENEFITS

- Low VSWR
- Easy installation

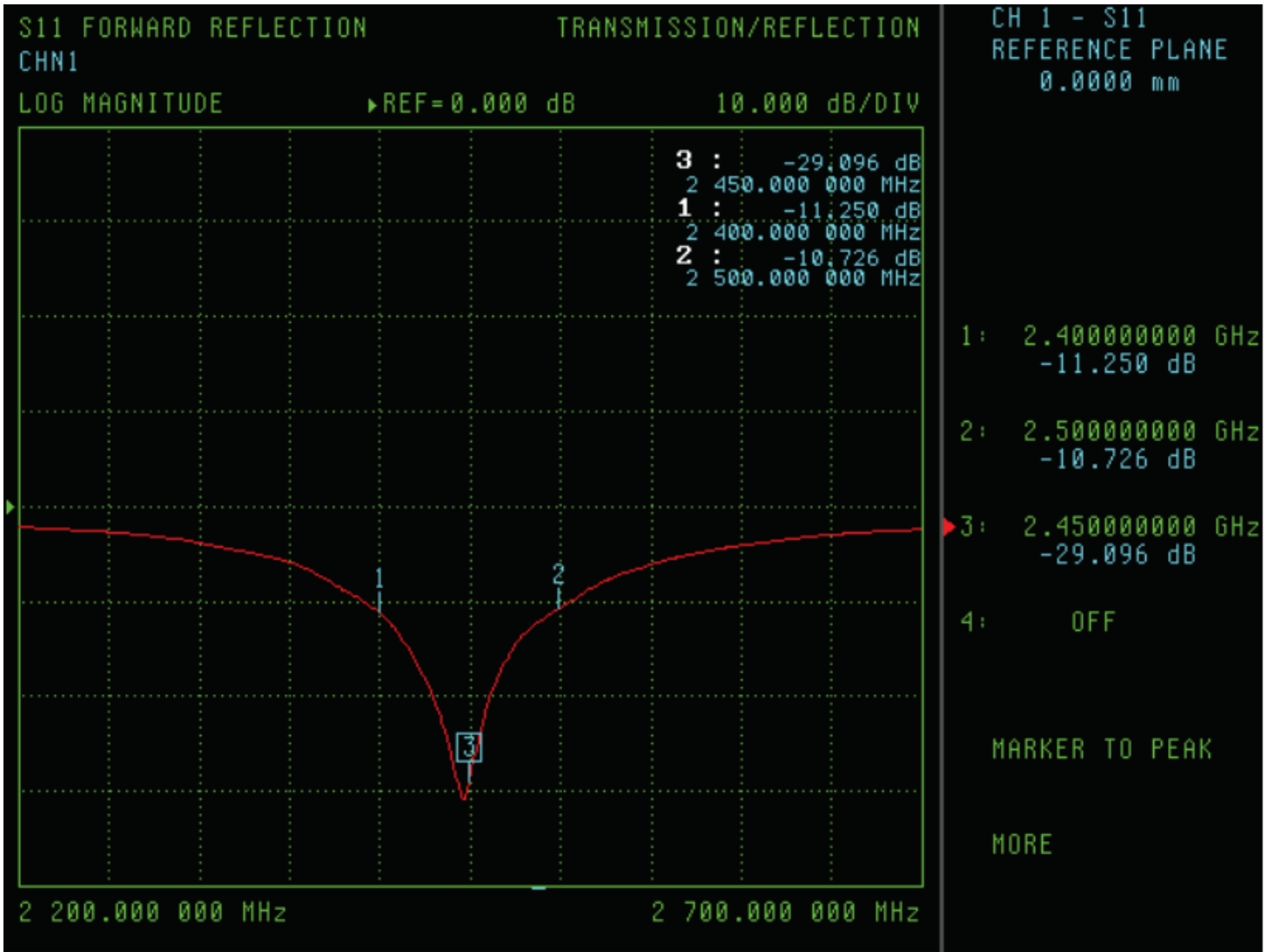
| | |
|-----------------------|--|
| Technology | WIFI |
| Frequency bands | 2400 MHz |
| Bandwidth | - |
| Gain | 5 dBi |
| VSWR | <1.8:1 |
| Impedance | 50 Ohm |
| Directivity | Omnidirectional |
| Beam angle | H 360° V 30° |
| Polarization | Linear |
| Maximum input power | 10 W |
| Power voltage | - |
| Dimensions | 90°: 59.5 x 170; 180°: \varnothing 50 x 220 mm |
| Weight | 121.75 g |
| Operating temperature | -20 to +60 °C |
| Execution | External |
| Method of attachment | Magnet Mount |
| Cable type | RG316/U |
| The cable length | 1 m |
| Connector type | SMA-RP(f-pin) |
| Certification | ISO 9001/ISO 14001 |

DRAWING



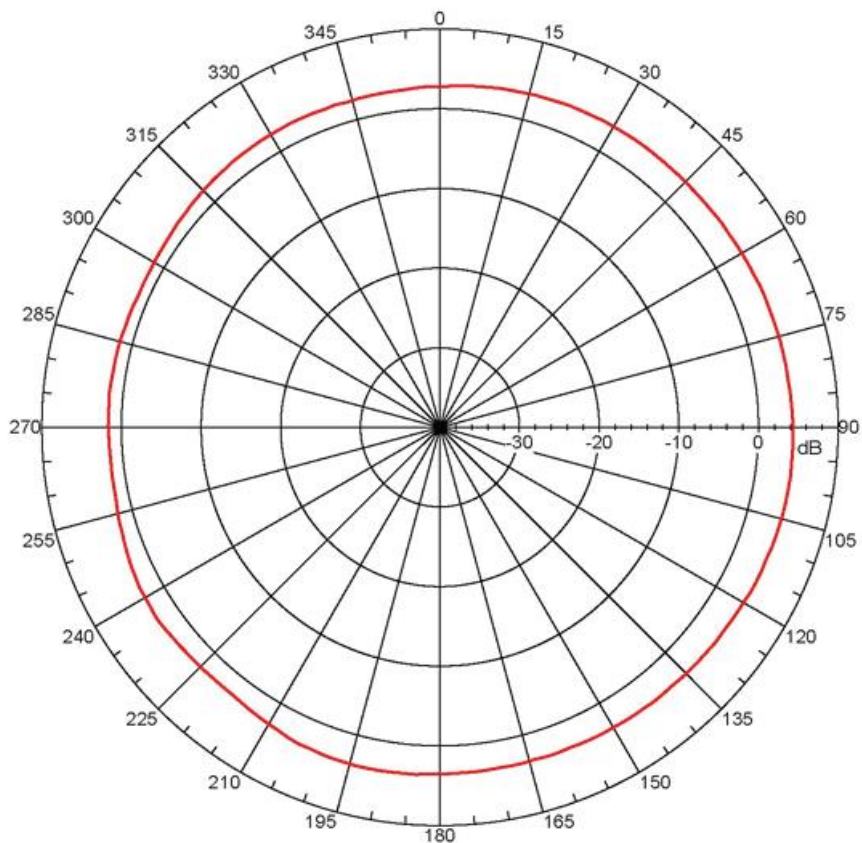
Unit: mm

GRAPH- S11



| Frequency (MHz) | Return Loss (dB) | VSWR | Gain (dBi) |
|-----------------|------------------|------|------------|
| 2400 | -11.25 | 1.75 | 4.84 |
| 2450 | -29.1 | 1.07 | 5.2 |

RADIATION PATTERN



VARIANTS

Different connector variants or cable lengths are available on request.

CONTACTS

SECTRON s.r.o. Josefa Šavla 1271/12
709 00 Ostrava 9, Czech Republic

WWW.SECTRON.CZ
Tel.: +420 556 621 020