



## WIFI ANTENNA

Antenna WiFi Magnetic 016W,  
2 dBi, 2.4 GHz,  
MCX(m) straight, RG174/3m

AW-A24G-G016WMCX

SECTRON company offers a wide portfolio of WIFI antennas with various versions differing in shape, level of gain and manner of attachment. SECTRON guarantees a compatible connection between an antenna and all antenna adaptors produced by SECTRON.

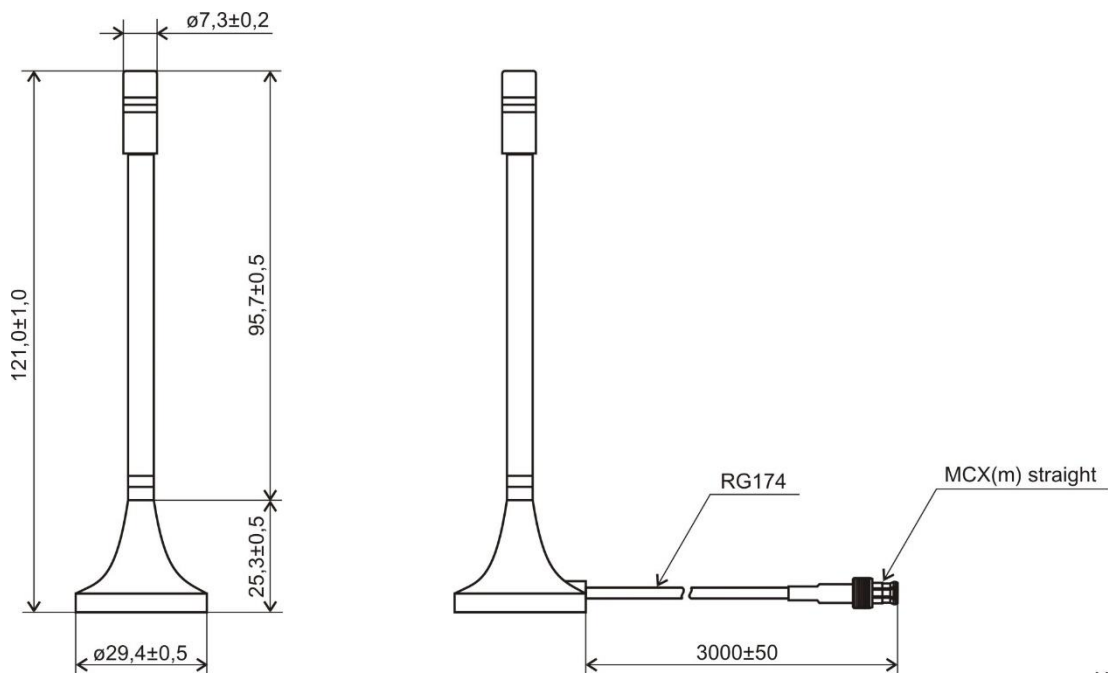
### BENEFITS

- Low VSWR
- Easy installation
- Certificate IP62

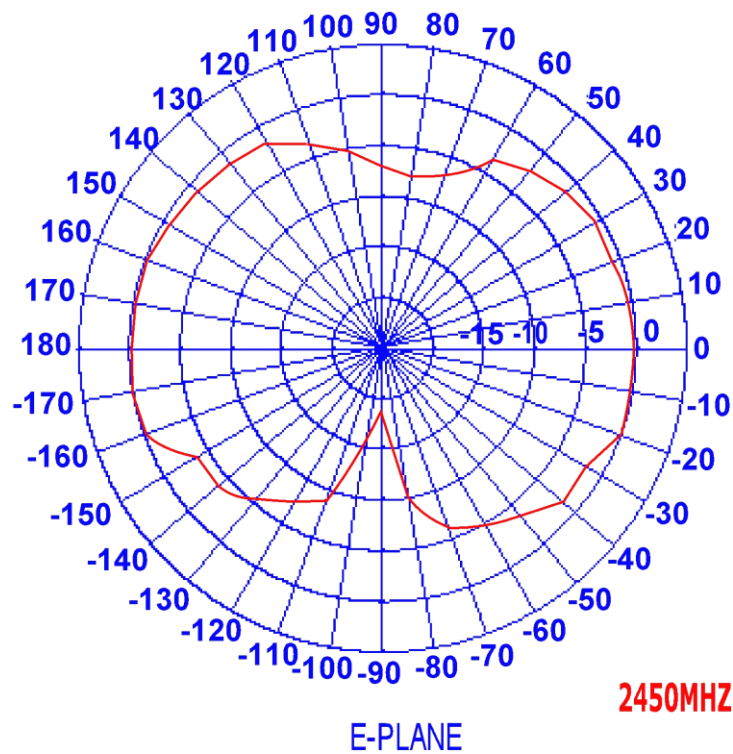
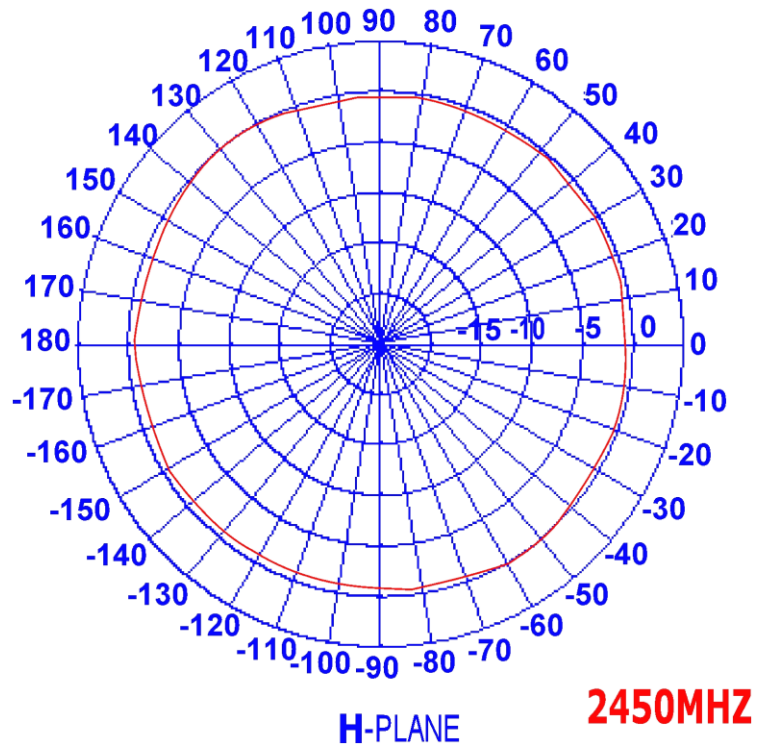


Technology	WiFi
Frequency bands	2400 MHz
Bandwidth	-
Gain	2 dBi
VSWR	<2.0:1
Impedance	50 Ohm
Directivity	Omnidirectional
Beam angle	H 360° V 30°
Polarization	Linear
Maximum input power	10 W
Power voltage	-
Dimensions	121 x 29.4 mm
Weight	51.54g
Operating temperature	-40 to +85 °C
Execution	External
Method of attachment	Magnetic
Cable type	RG174/U
The cable length	3 m
Connector type	MCX(m) straight

DRAWING



UNIT: mm



## CONTACTS