



WiFi ANTENNA

Antenna WiFi Stick 90°,
2.4 GHz, FAKRA Z (f)

AW-A24G-FFZR

SECTRON company offers a wide portfolio of Wi-Fi antennas with various versions differing in shape, level of gain and manner of attachment. SECTRON guarantees a compatible connection between an antenna and all antenna adaptors produced by SECTRON.



BENEFITS

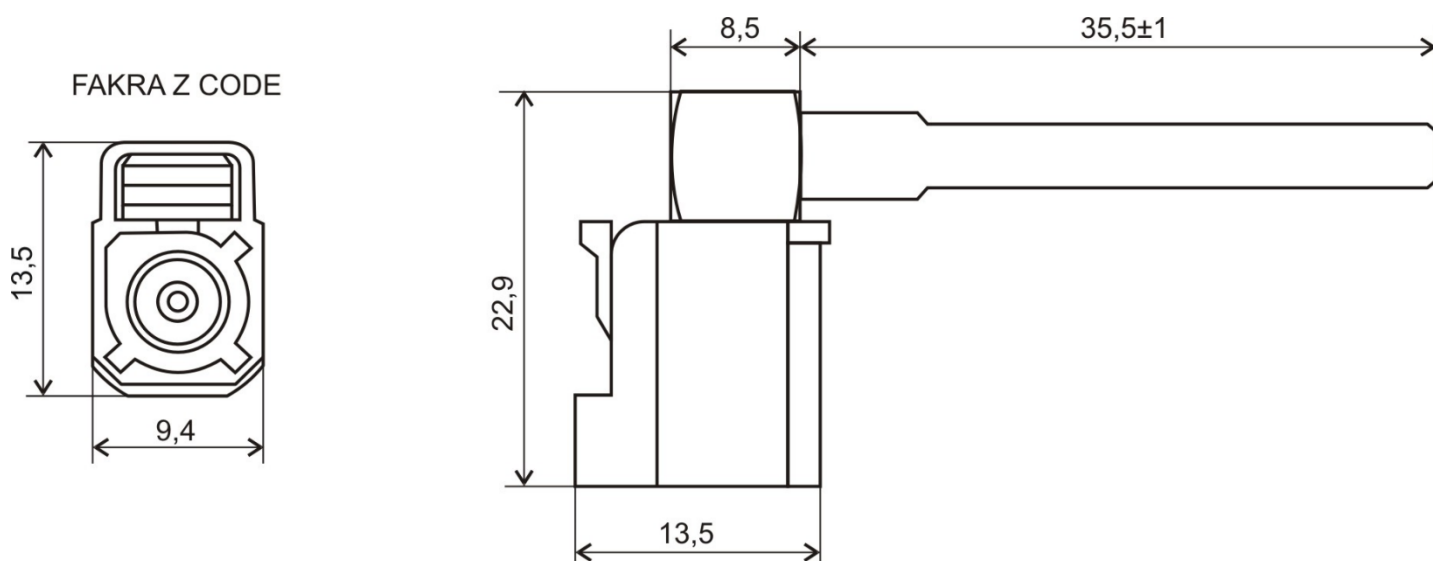
- Easy installation
- Low VSWR
- Suitable for vehicles

FEATURES

AW-A24G-FFZR

Technology	WLAN/Bluetooth
Frequency bands	2400 MHz
Bandwidth	-
Gain	0 dBi
VSWR	<1.5:1
Impedance	50 Ohm
Directivity	Omnidirectional
Beam angle	H 360° V 30°
Polarization	Linear
Maximum input power	1 W
Power voltage	-
Dimensions	44 x 22.9 mm
Weight	8.11 g
Operating temperature	-30 to +90 °C
Execution	Internal
Method of attachment	Mounting
Cable type	-
The cable length	-
Connector type	FAKRA Z(F)

DRAWING

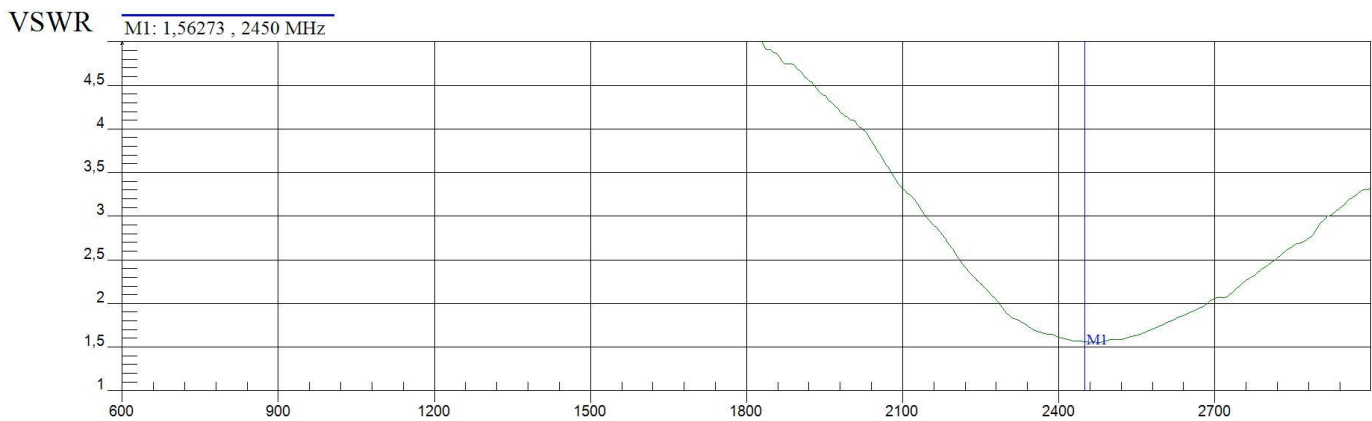


UNIT: mm

Different connector variants or cable lengths are available on request.

SIMULATED GRAPHS

VSWR
FAKRA WIFI anténa



Frequency(600 - 3000 MHz)

Resolution: 521

Cal: ON

Date: 2019/05/13

Time: 08:37

IIM: OFF

Keysight

SN: CN0132000230

CONTACTS

SECTRON s.r.o. Josefa Šavla 1271/12
709 00 Ostrava 9, Czech Republic

WWW.SECTRON.CZ
Tel.: +420 556 621 021