



WIFI ANTENNA

Antenna WiFi Screw Mount R36,
2.4 GHz, 0 dBi, U.FL088/30cm,
IP67, Rubber Protective Coating

AW-A24G-36U

SECTRON company offers a wide portfolio of WIFI antennas with various versions differing in shape, level of gain and manner of attachment. SECTRON guarantees a compatible connection between an antenna and all antenna adaptors produced by SECTRON.

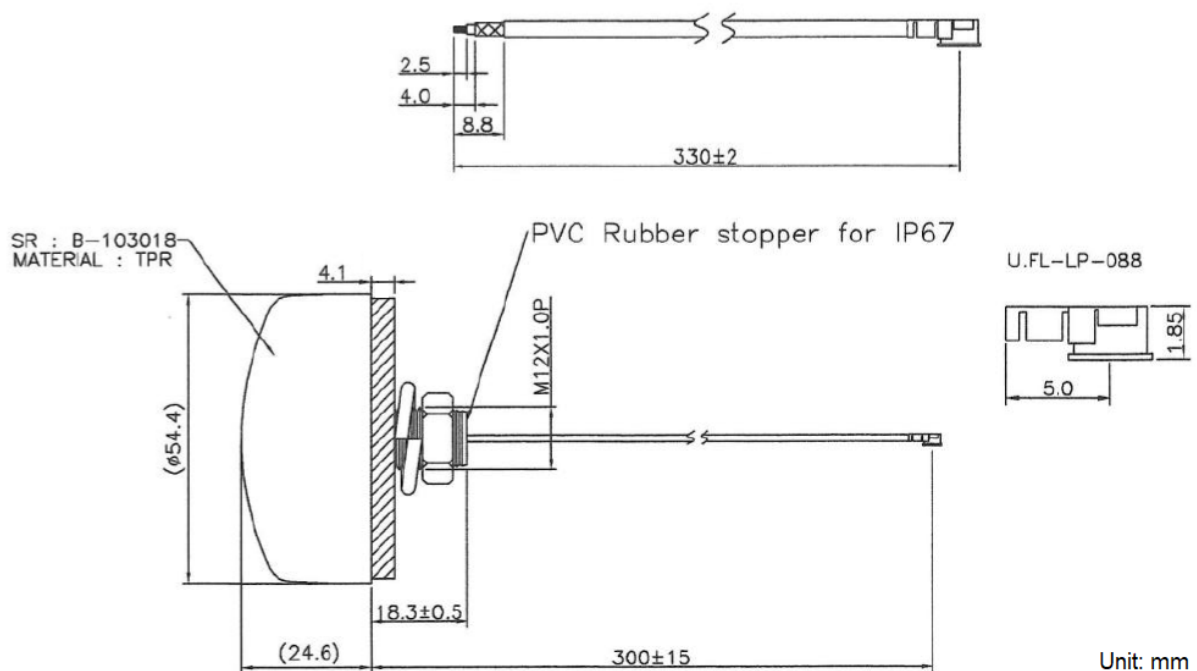


BENEFITS

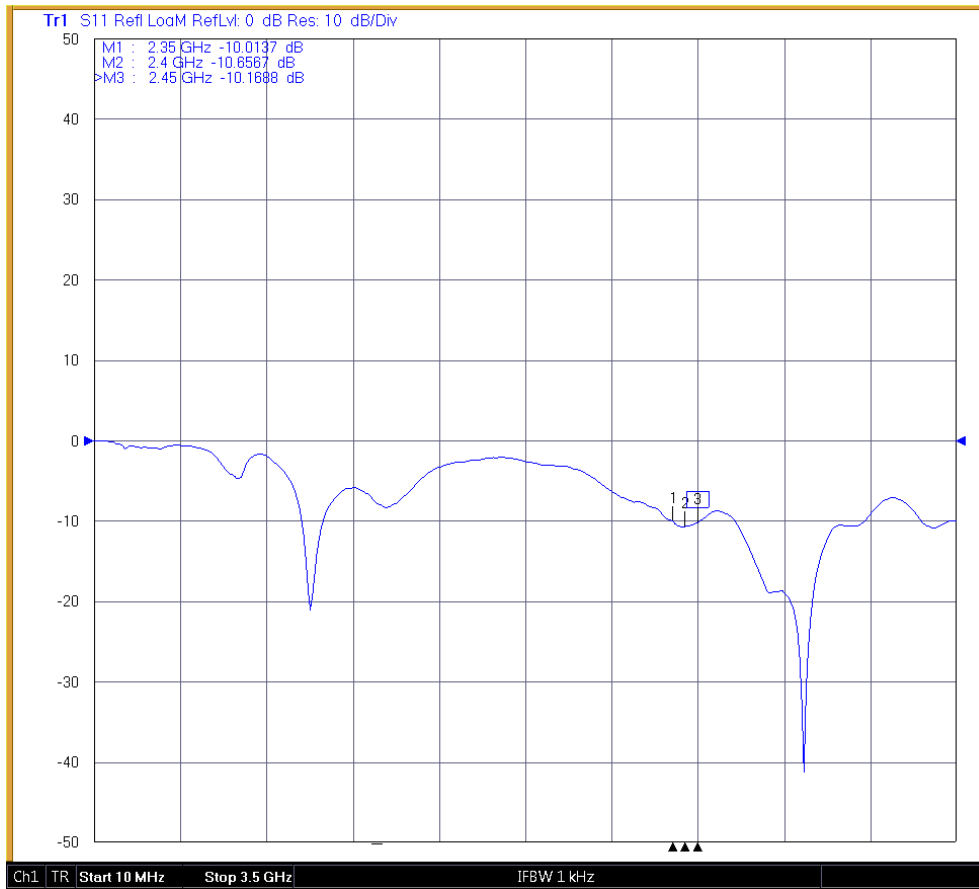
- Easy installation
- Low VSWR
- Omnidirectional

Technology	WIFI
Frequency bands	2.4 GHz
Bandwidth	-
Gain	5.5 dBi
VSWR	<1.93:1
Impedance	50 Ohm
Directivity	Omnidirectional
Beam angle	H 360° V 30°
Polarization	Linear
Maximum input power	10 W
Power voltage	-
Dimensions	∅ 54.4 x 42.9 mm
Weight	89.48 g
Operating temperature	-30 to +90 °C
Execution	External
Method of attachment	Screw Mount
Cable type	LP-088
The cable length	300 mm
Connector type	U.FL(f)
IP code	IP67

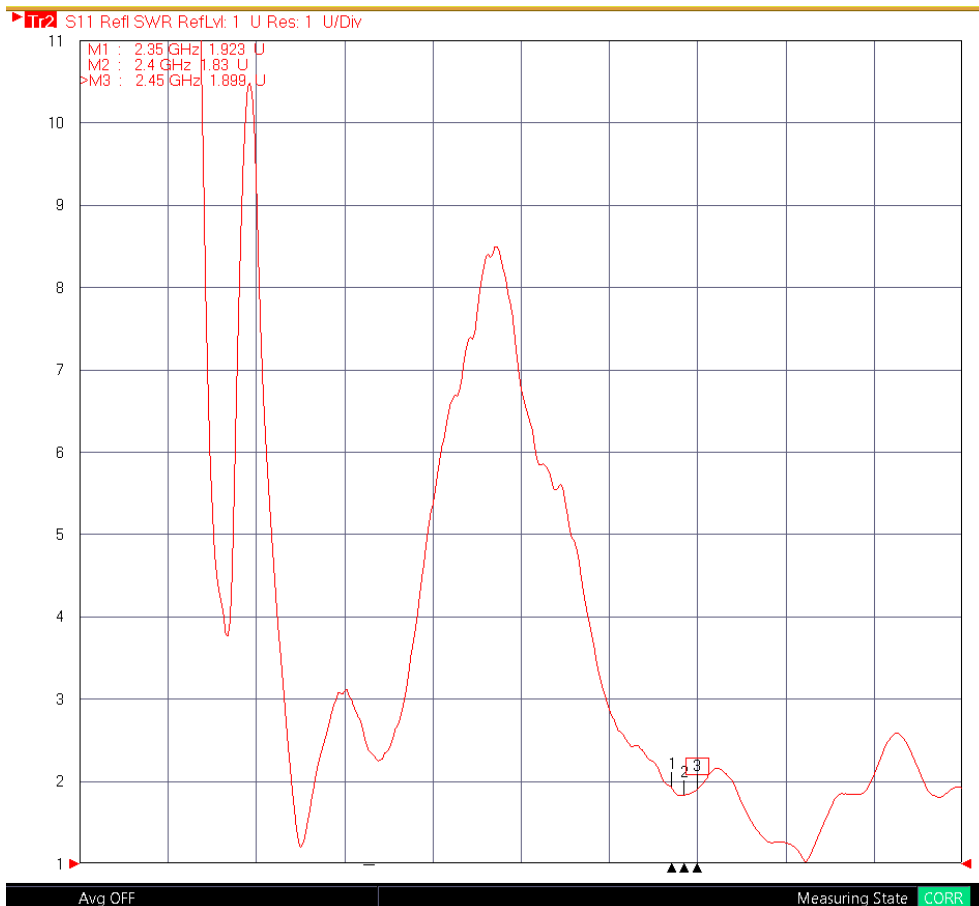
DRAWING



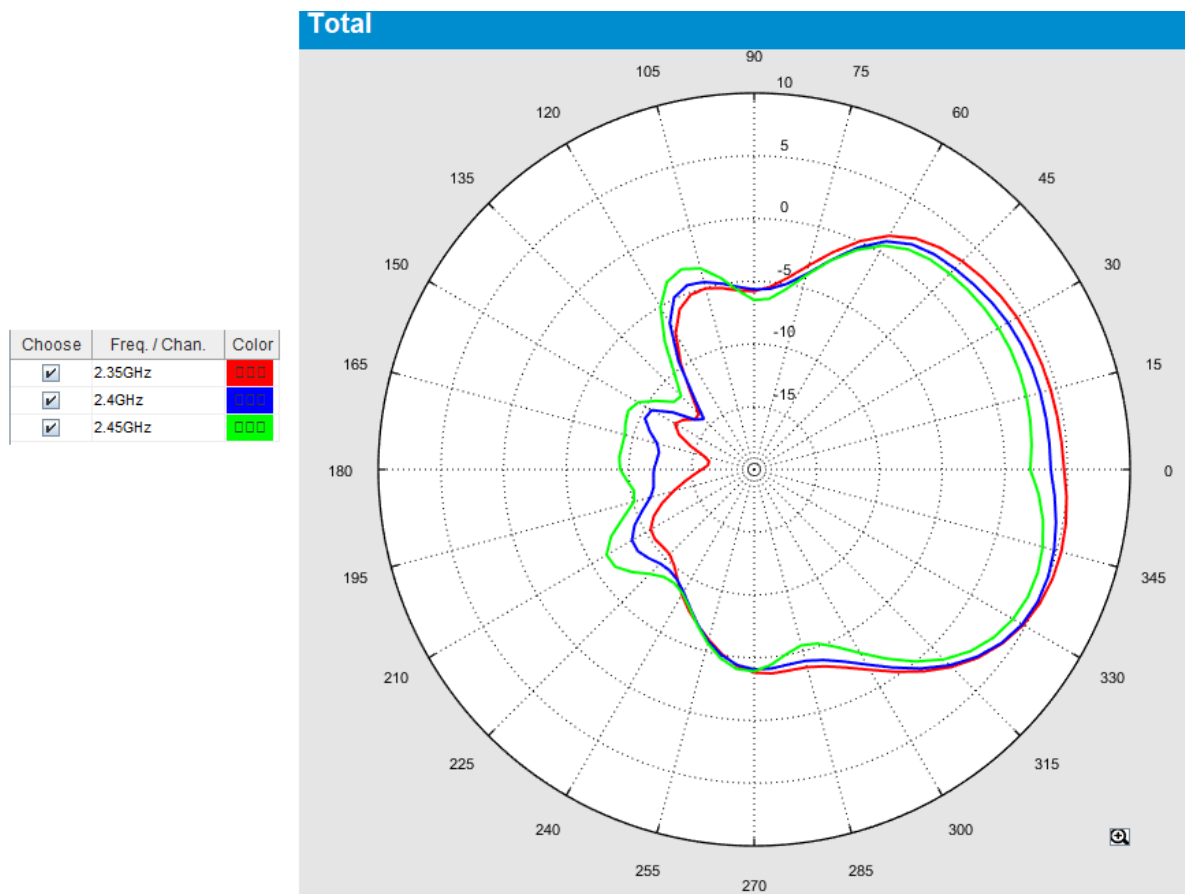
S_{11} - Return Loss [dB]



VSWR – Voltage standing wave ratio [-]



2D RADIATION PATTERN



Frequency [MHz]	S_{11} [dB]	VSWR [-]	Gain [dBi]	Efficiency [%]
2350	-10.01	1.92	5.53	63.53
2400	-10.65	1.83	4.8	57.94
2450	-10.16	1.89	3.94	54.45

VARIANTS

AW-A24G-36U

Different connector variants or cable lengths are available on request.

CONTACTS

SECTRON s.r.o. Josefa Šavla 1271/12
709 00 Ostrava 9, Czech Republic

WWW.SECTRON.CZ
Tel.: +420 556 621 020