

WIFI ANTENNA

Antenna WiFi Mounting R36,
2.4/5.8 GHz, 2/3 dBi,
RG58/5m, open end

AW-A2458G-3605

SECTRON company offers a wide portfolio of WIFI antennas with various versions differing in shape, level of gain and manner of attachment. SECTRON guarantees a compatible connection between an antenna and all antenna adaptors produced by SECTRON.

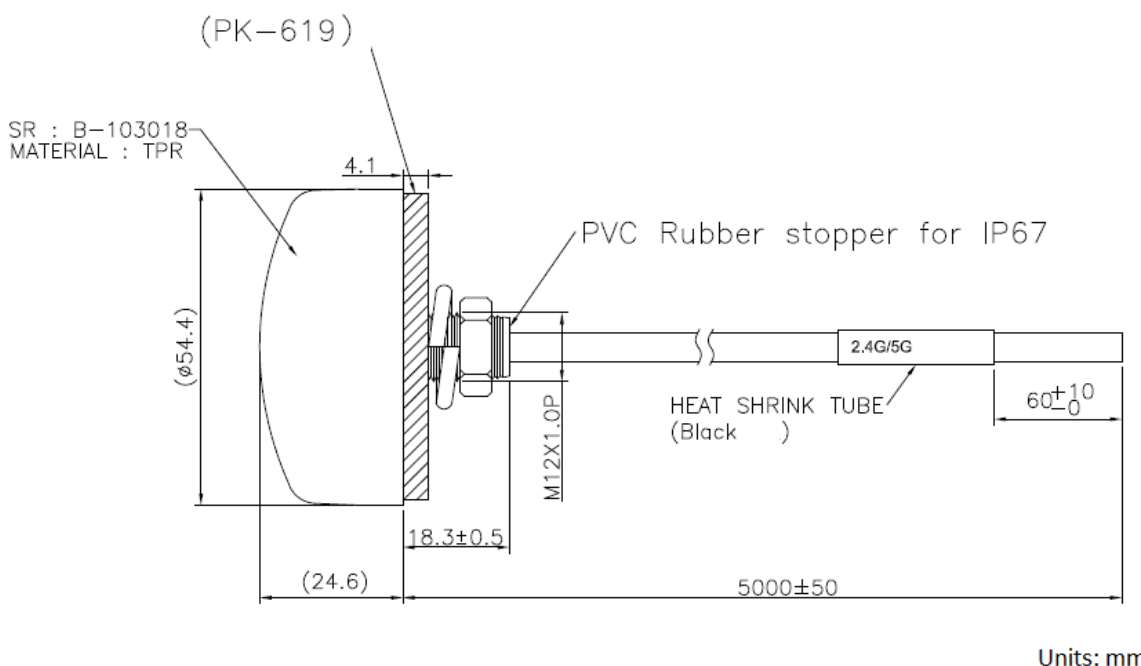


BENEFITS

- Low VSWR
- High gain

Technology	WiFi/Bluetooth
Frequency bands	2.4/5.8 GHz
Bandwidth	-
Gain	2/3 dBi
VSWR	<2.0:1
Impedance	50 Ohm
Directivity	Omnidirectional
Beam angle	H 360° V 30°
Polarization	Linear
Maximum input power	10 W
Power voltage	-
Dimensions	∅ 54.4 x 42.9 mm
Weight	260.15 g
Operating temperature	-30 to +90 °C
Execution	External
Method of attachment	Mounting
Cable type	RG58/U
The cable length	5 m
Connector type	Open end
IP Code	IP67
Certification	RoHS

DRAWING



CONTACTS