



## GPS ANTENNA

Internal GPS active patch antenna  
35x35x4.49, 16 dBi, U.FL/52mm

AP-AP25-16U

SECTRON company offers a wide portfolio of GPS antennas with various versions differing in shape, level of gain and manner of attachment. SECTRON guarantees a compatible connection between an antenna and all antenna adaptors produced by SECTRON.

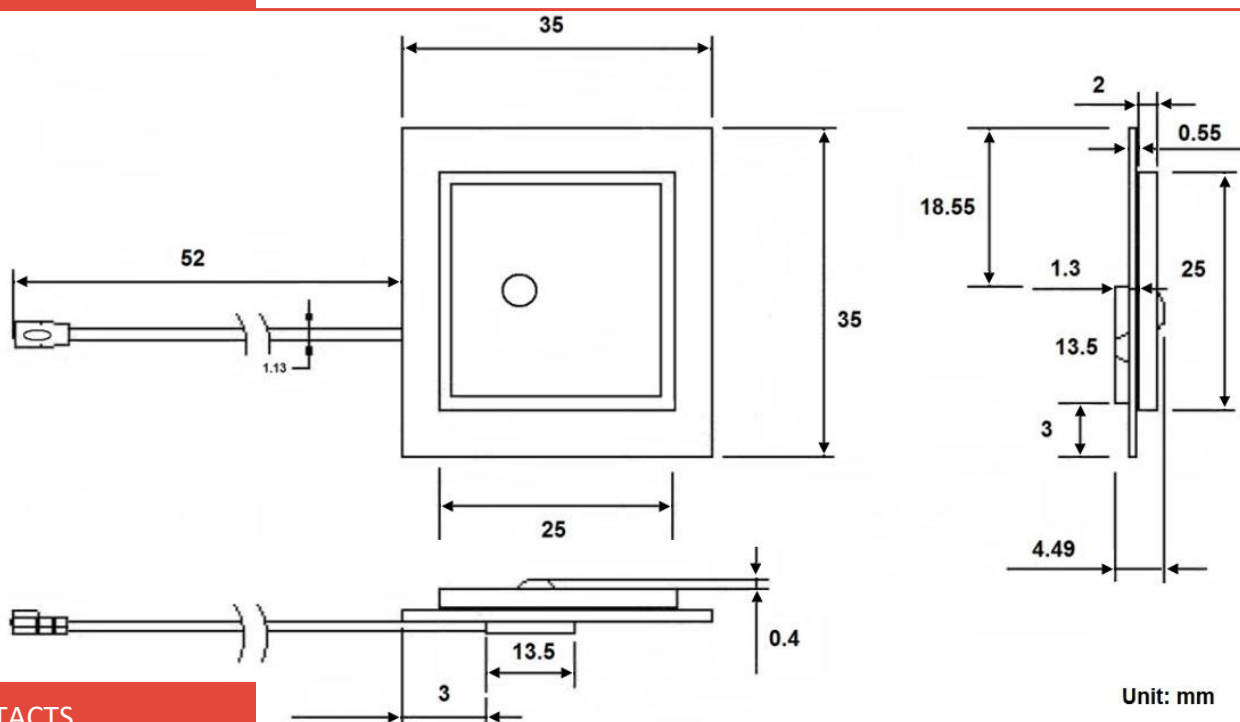


### BENEFITS

- Low VSWR
- Minimalist dimensions

Technology	GPS
Frequency bands	1575.42 MHz
Bandwidth	-
Gain	16 dBi
VSWR	<2.0:1
Impedance	50 Ohm
Directivity	Omni-directional
Beam angle	H 360° V 30°
Polarization	R.H.C.P.
Maximum input power	10 W
Power voltage	3 V DC
Dimensions	35 x 35 x 4.49 mm
Weight	7.15 g
Operating temperature	-30 to +80 °C
Execution	Internal
Method of attachment	Patch
Cable type	Hirose068
The cable length	52 mm
Connector type	U.FL(m)

DRAWING



CONTACTS