



## GPS ANTENNA

Internal GPS passive patch antenna,  
adhesive, with pin 25x25x2;  
1575.42 MHz

### AP-AP-GP25-2

SECTRON company offers a wide portfolio of GPS antennas with various versions differing in shape, level of gain and manner of attachment. SECTRON guarantees a compatible connection between an antenna and all antenna adaptors produced by SECTRON.

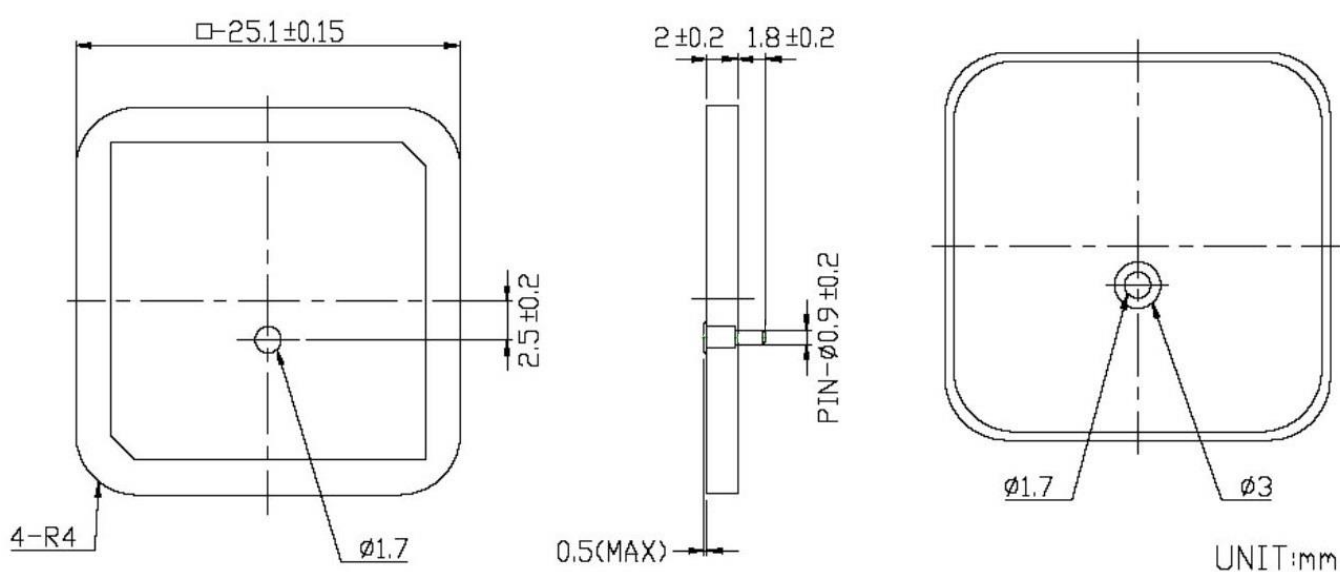


#### BENEFITS

- Low VSWR
- Minimalist dimension

Technology	GPS
Frequency bands	1575.42 MHz
Bandwidth	5 MHz
Gain	3.5 dBi
VSWR	<1.5:1
Impedance	50 Ohm
Directivity	Omni-directional
Beam angle	H 360° V 30°
Polarization	R.H.C.P.
Maximum input power	10 W
Power voltage	-
Dimensions	25 x 25 x 2 mm
Weight	4.72 g
Operating temperature	-40 to +105 °C
Execution	Internal
Method of attachment	Patch
Cable type	-
The cable length	-
Connector type	-

## DRAWING



## CONTACTS