



GPS ANTENNA

Antenna GPS Screw Mount Marine 225, 40 dBi, TNC

AP-AGPS-A225T

SECTRON company offers a wide portfolio of GPS antennas with various versions differing in shape, level of gain and manner of attachment. SECTRON guarantees a compatible connection between an antenna and all antenna adaptors produced by SECTRON.

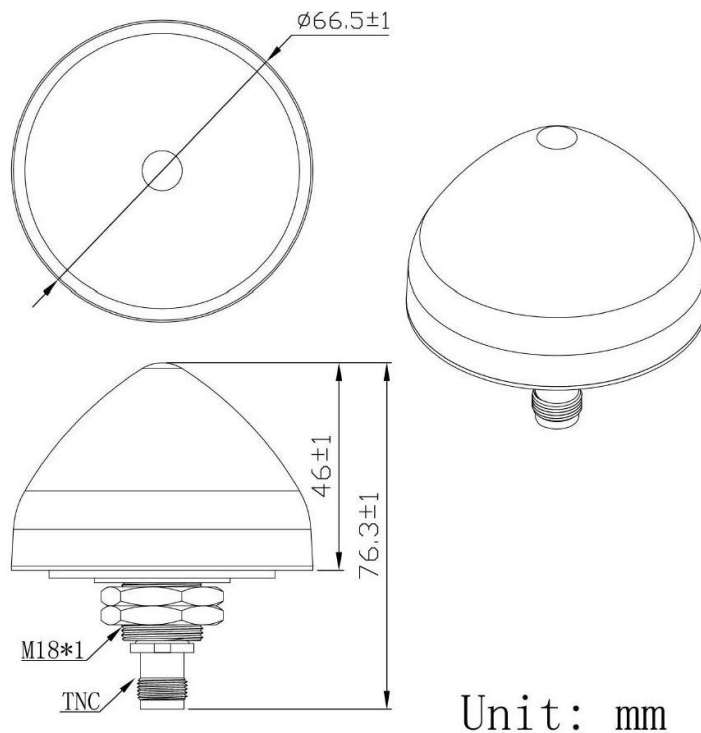


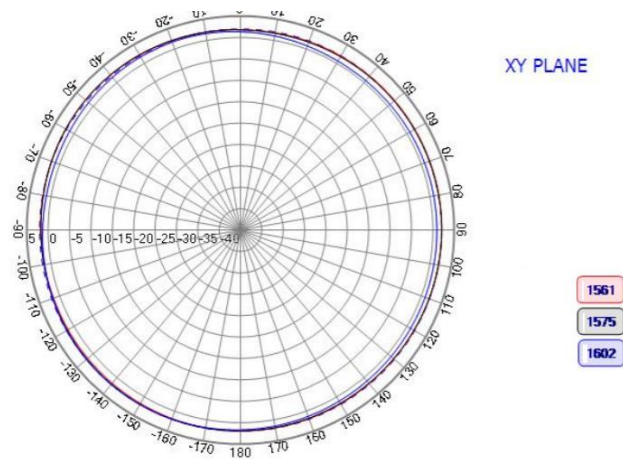
BENEFITS

- Low VSWR
- Hight Gain
- Enviromental resistance
- Hight power supply range

Technology	GPS
Frequency bands	1575.42 MHz
Bandwidth	5 MHz
Gain	5 dBi
LNA gain	40 dB
VSWR	<1.5:1
Impedance	50 Ohm
Directivity	Omnidirectional
Beam angle	H 360° V 30°
Polarization	R.H.C.P.
Maximum input power	10 W
Power voltage	2.7-10V DC
Dimensions	Ø 66.5 x 46.1 mm
Weight	151.42 g
Operating temperature	-40 to +85 °C
Execution	External
Method of attachment	Screw Mount
Cable type	-
The cable length	-
Connector type	TNC(f)

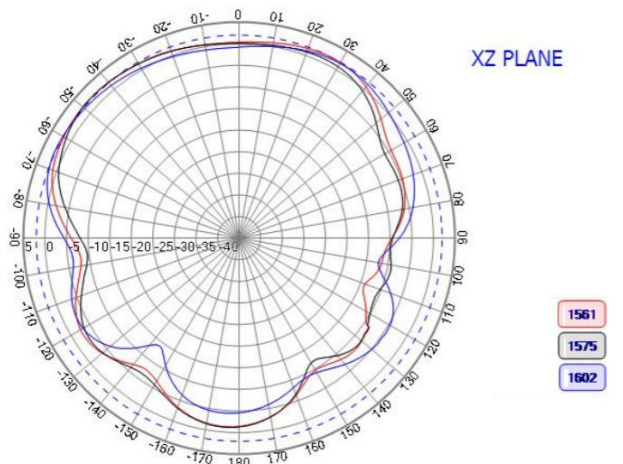
DRAWING





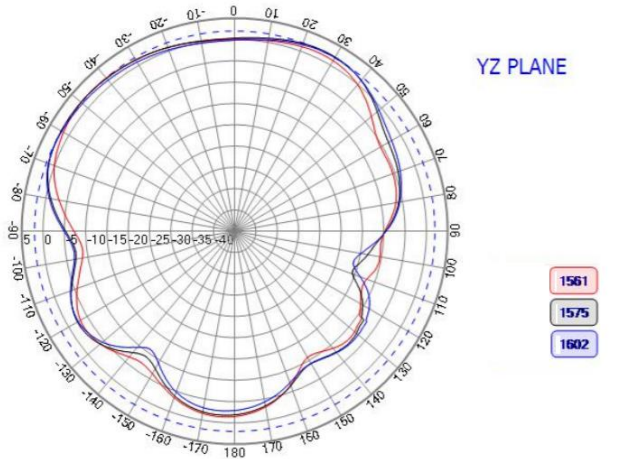
XY PLANE

- 1561
- 1575
- 1602



XZ PLANE

- 1561
- 1575
- 1602



YZ PLANE

- 1561
- 1575
- 1602

CONTACTS

SECTRON s.r.o. Josefa Šavla 1271/12
709 00 Ostrava 9, Czech Republic

WWW.SECTRON.CZ
Tel.: +420 556 621 020