



GPS ANTENNA

Antenna GPS Mounting Marine 005,
N(m), RG58/1m

AP-AGPS-A005N

SECTRON company offers a wide portfolio of GPS antennas with various versions differing in shape, level of gain and manner of attachment. SECTRON guarantees a compatible connection between an antenna and all antenna adaptors produced by SECTRON.

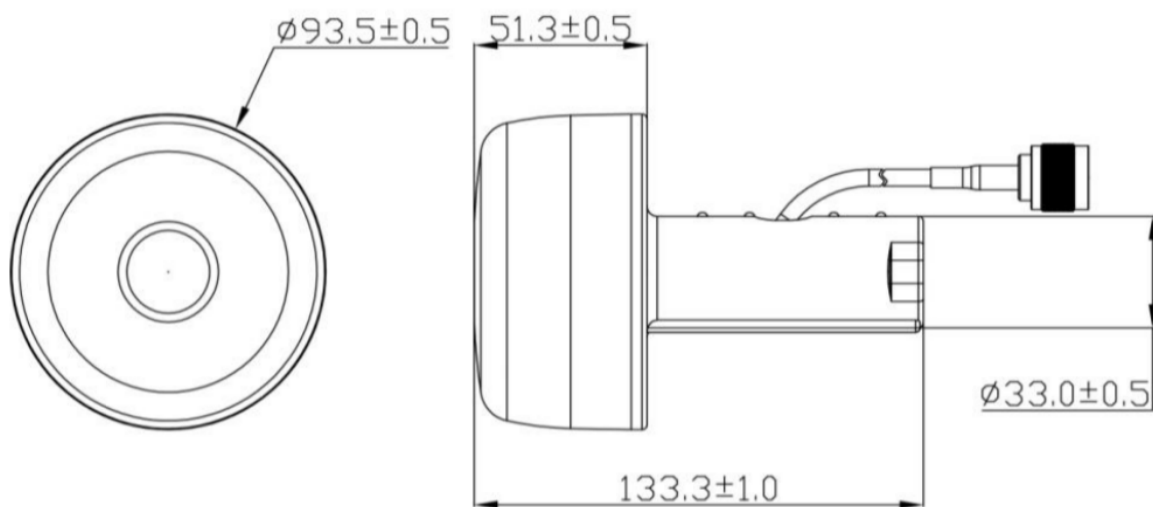
BENEFITS

- Low VSWR
- High Gain
- Environmental resistance

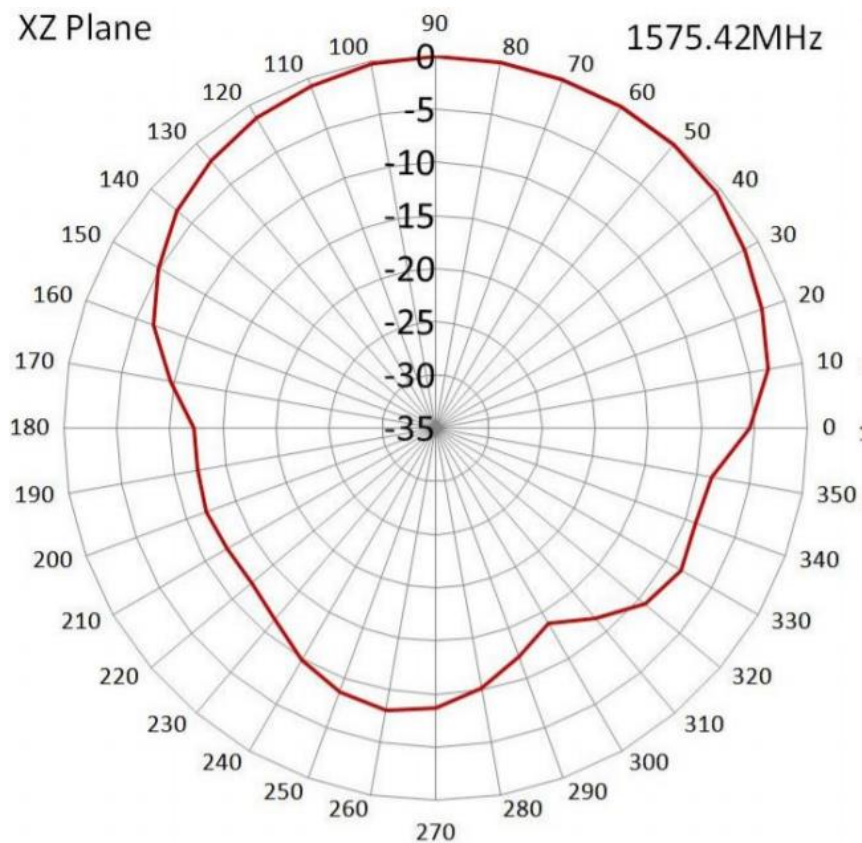
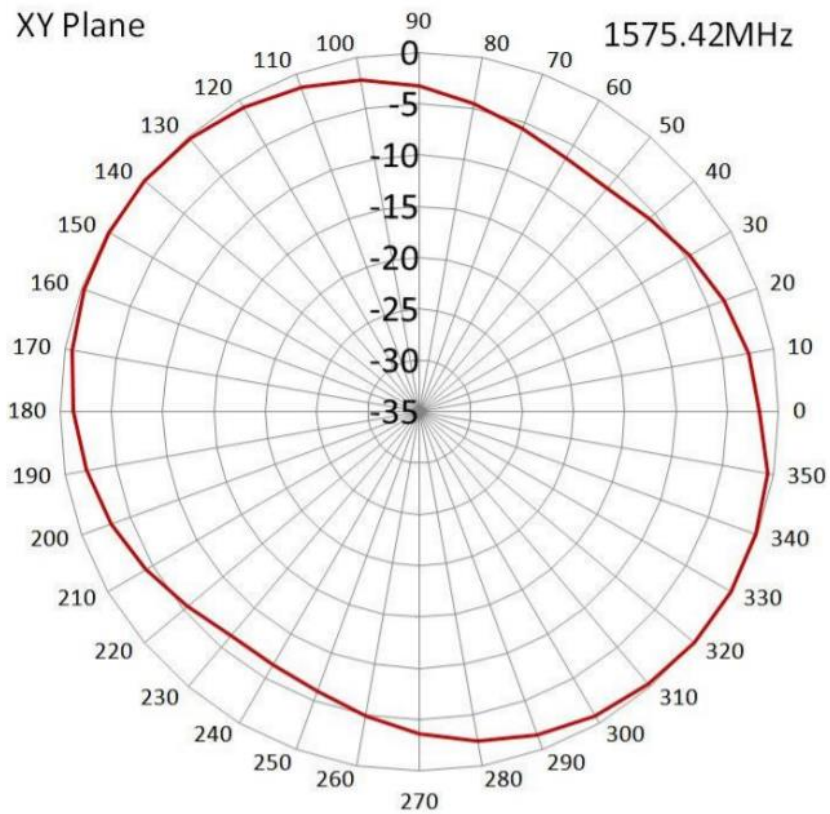


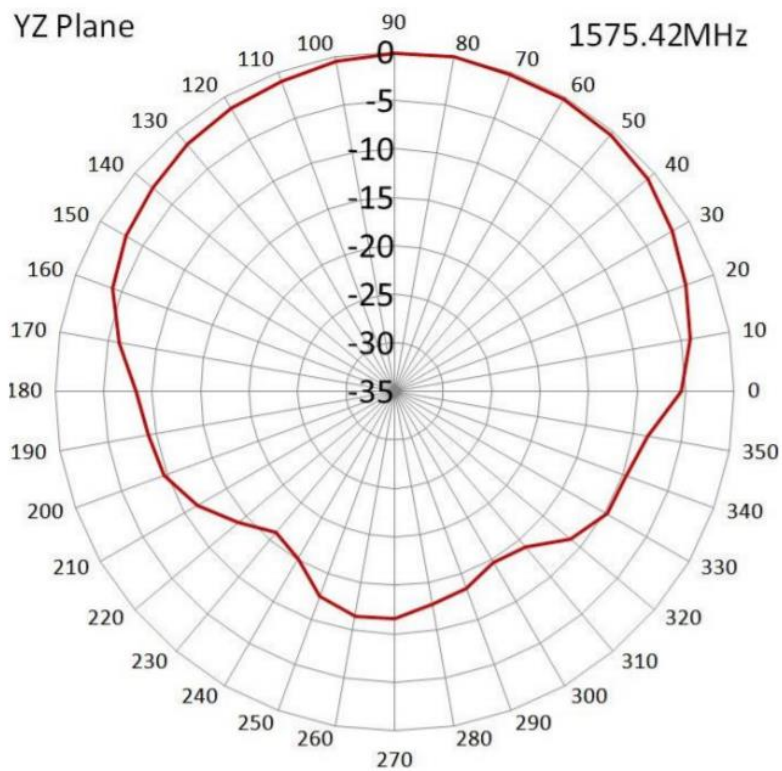
Technology	GPS
Frequency bands	1575.42 MHz
Bandwidth	5 MHz
Gain	5 dBi
LNA Gain	42 dB
VSWR	<1.5:1
Impedance	50 Ohm
Directivity	Directional
Beam angle	H 360° V 30°
Polarization	R.H.C.P
Maximum input power	10W
Power voltage	3-5V DC
Dimensions	93.5 x 133 mm
Weight	503.72 g
Operating temperature	-40 to +85 °C
Execution	External
Method of attachment	Mounting
Cable type	RG58
The cable length	1 m
Connector type	N (m)

DRAWING



Unit: mm





VARIANTS

AP-AGPS-A005N

Different connector variants or cable lengths are available on request.

CONTACTS

SECTRON s.r.o. Josefa Šavla 1271/12
709 00 Ostrava 9, Czech Republic

WWW.SECTRON.CZ
Tel.: +420 556 621 021