



GPS ANTENNA

Antenna GPS Magnetic 004, SMA(m), RG174/1.5m

AP-AGPS-A004M-S1.5

SECTRON company offers a wide portfolio of GPS antennas with various versions differing in shape, level of gain and manner of attachment. SECTRON guarantees a compatible connection between an antenna and all antenna adaptors produced by SECTRON.



BENEFITS

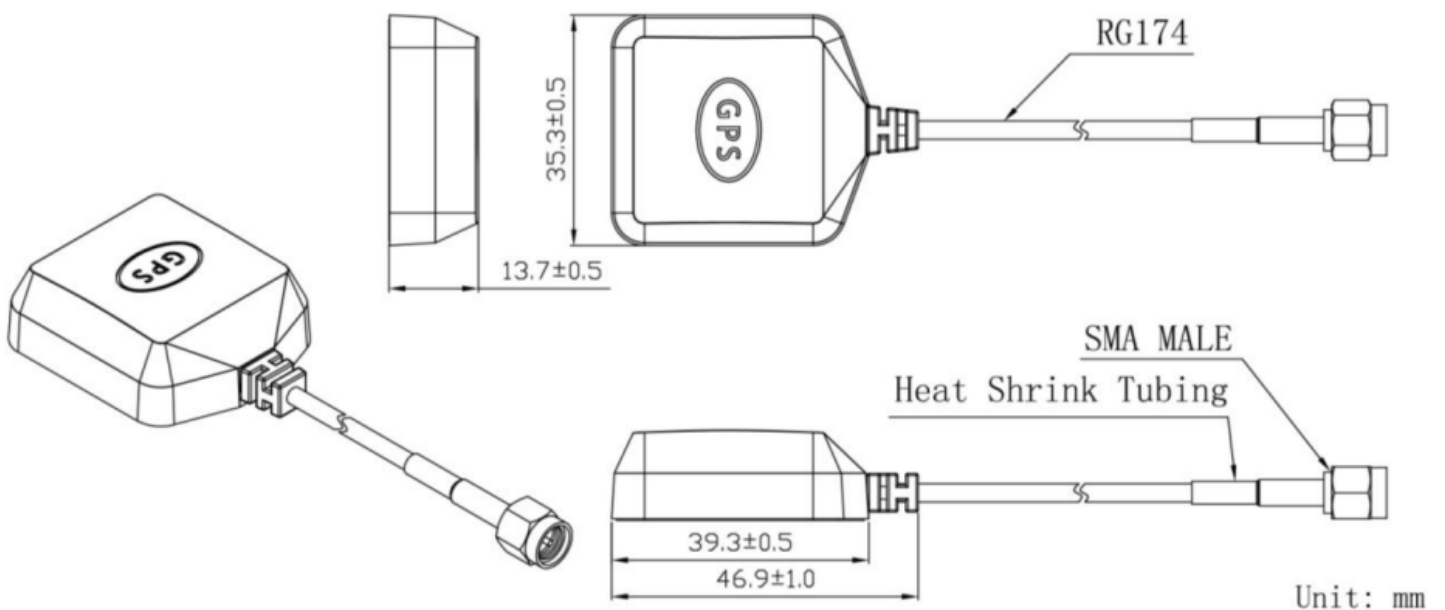
- Easy installation
- Low VSWR
- High gain

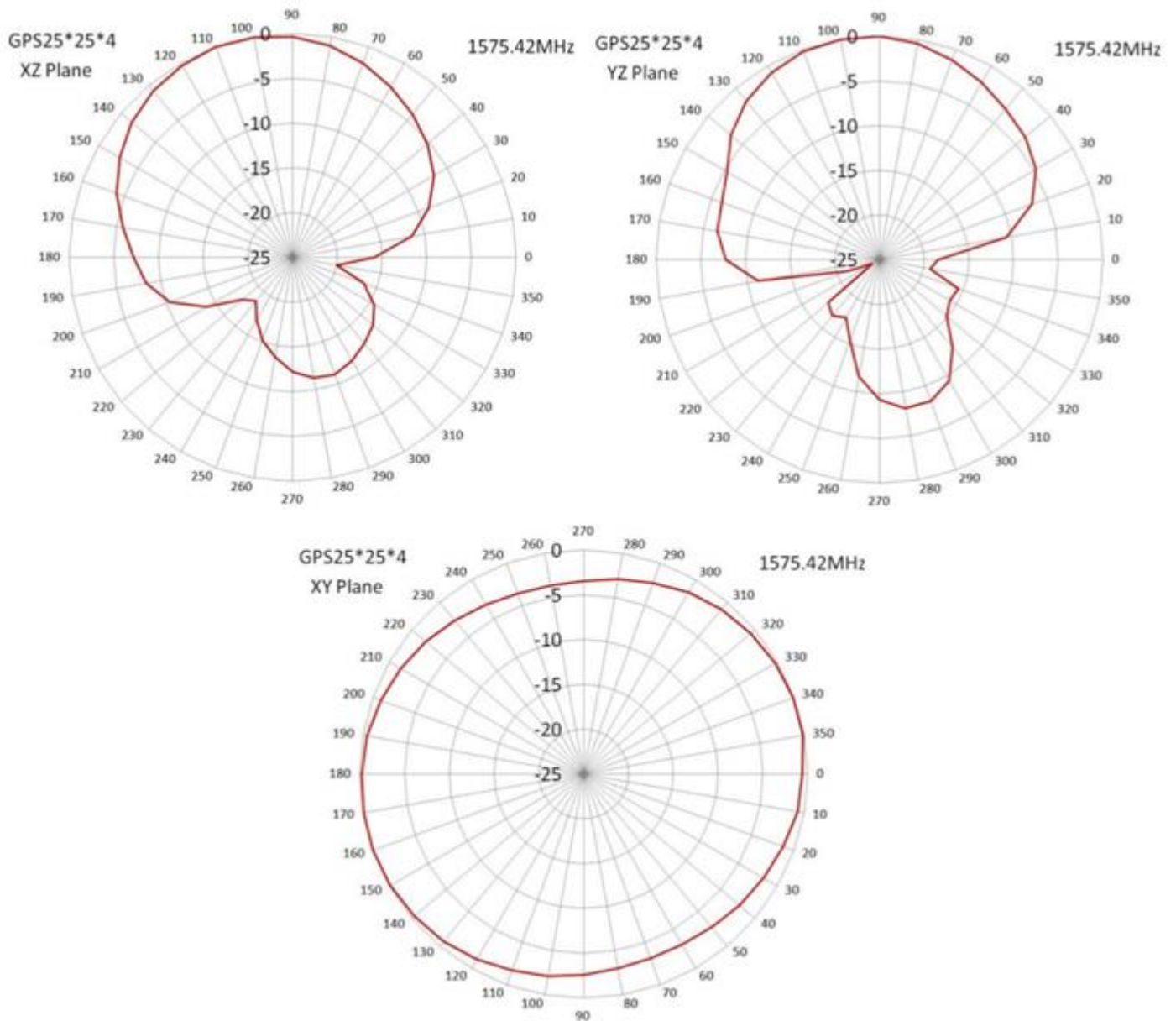
FEATURES

AP-AGPS-A004M-S1.5

Technology	GPS
Frequency bands	1575.42 MHz
Bandwidth	5 MHz
Gain	2 dBi
Gain with LNA	28 dBi
VSWR	<1.5:1
Impedance	50 Ohm
Directivity	Directional
Beam angle	Attached graphs below
Polarization	R.H.C.P.
Maximum input power	10 W
Power voltage	2.2 – 5.5 V
Dimensions	25 x 25 x 4 mm
Weight	42.39 g
Operating temperature	-40 to +85 °C
Execution	External
Method of attachment	Magnetic
Cable type	RG174/U
The cable length	1.5 m
Connector type	SMA(m)
Certificate	ROHS

DRAWING





VARIANTS

Different connector variants or cable lengths are available on request.

CONTACTS

SECTRON s.r.o. Josefa Šavla 1271/12
709 00 Ostrava 9, Czech Republic

WWW.SECTRON.CZ
Tel.: +420 556 621 021