



GPS ANTENNA

Antenna GPS Magnetic 004,
SMA(m), RG174/0.5 m

AP-AGPS-A004M-S05

SECTRON company offers a wide portfolio of GPS antennas with various versions differing in shape, level of gain and manner of attachment. SECTRON guarantees a compatible connection between an antenna and all antenna adaptors produced by SECTRON.



BENEFITS

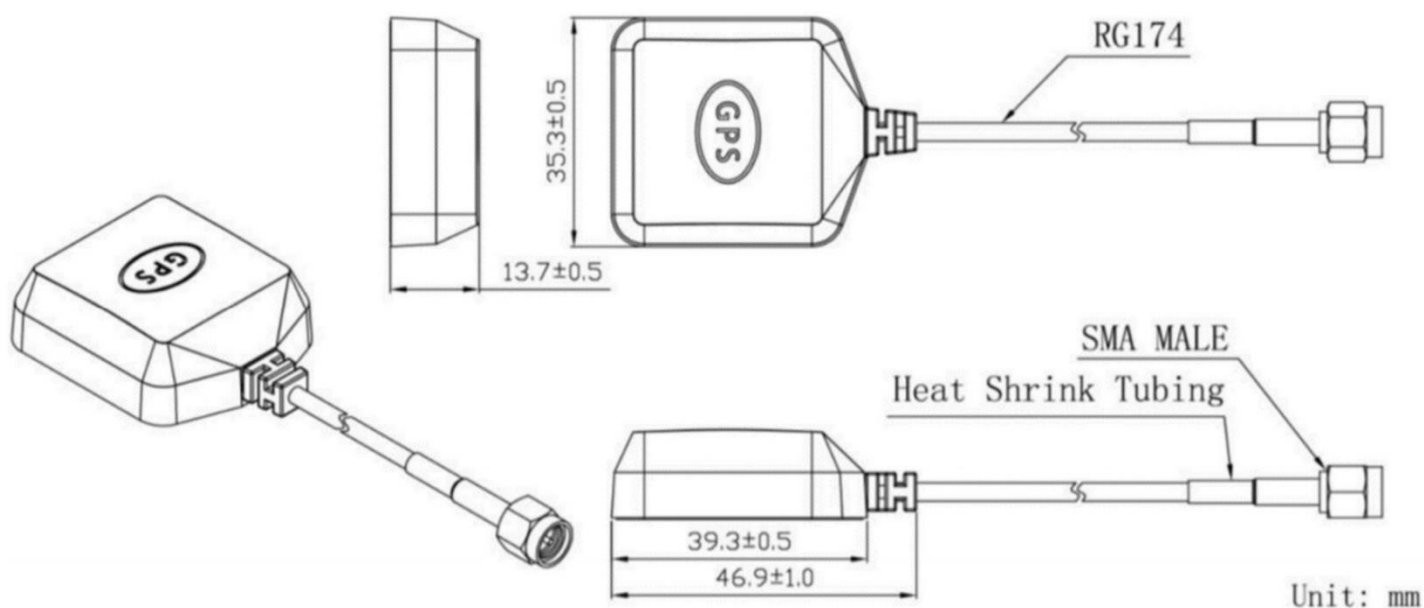
- Low VSWR
- Easy installation
- High gain

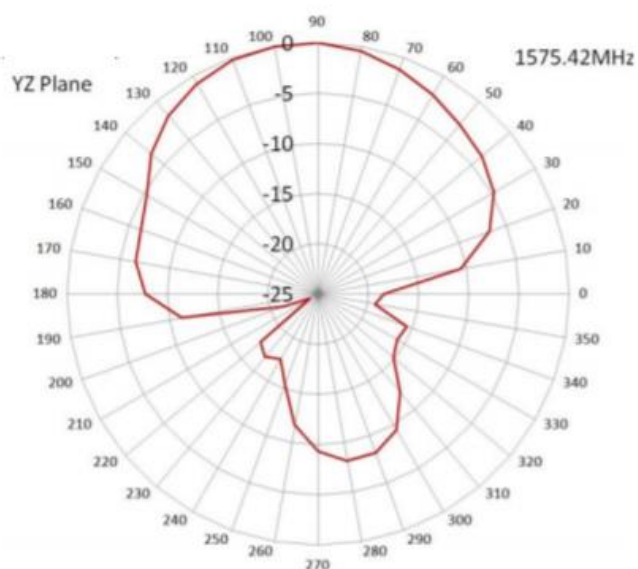
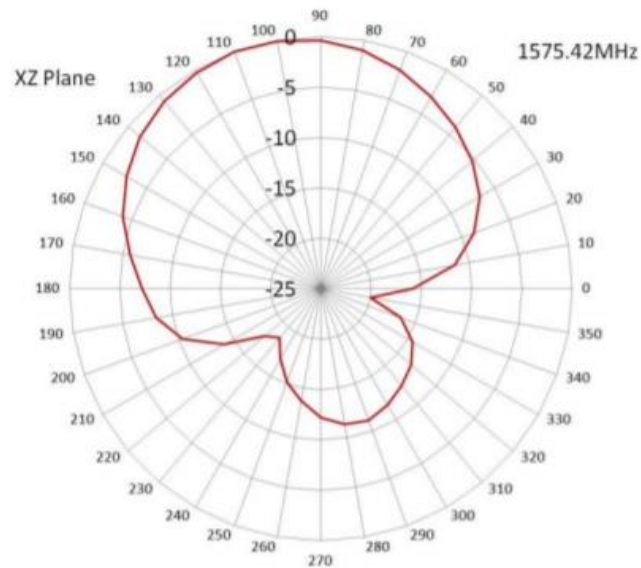
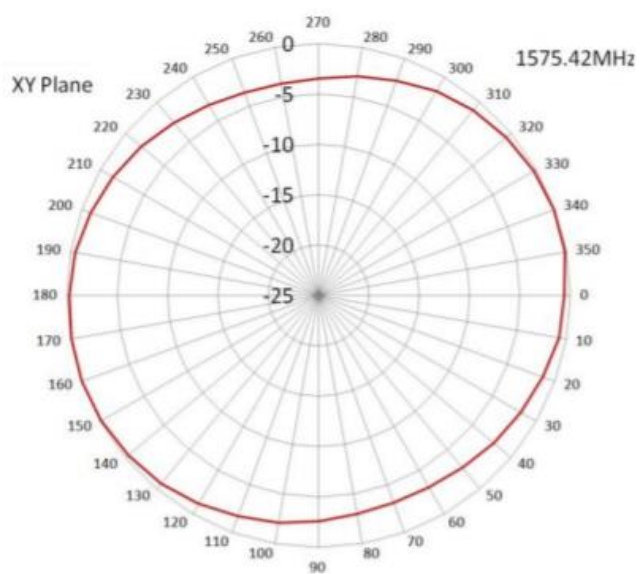
FEATURES

AP-AGPS-A004M-S05

| | |
|-----------------------|---------------------------|
| Technology | GPS |
| Frequency bands | 1575.42 MHz |
| Bandwidth | 5 MHz |
| Gain | 0 dBi |
| LNA Gain | 28 dB |
| VSWR | <1.5:1 |
| Impedance | 50 Ohm |
| Directivity | Directional |
| Beam angle | Via attached graphs below |
| Polarization | R.H.C.P. |
| Maximum input power | 10 W |
| Power voltage | 2.7 – 10V |
| Dimensions | 35.3 x 39.3 x 13.7 mm |
| Weight | 31.76 g |
| Operating temperature | -40 to +85 °C |
| Execution | External |
| Method of attachment | Magnetic |
| Cable type | RG174/U |
| The cable length | 0.5 m |
| Connector type | SMA(m) |

DRAWING





VARIANTS

Different connector variants or cable lengths are available on request.

CONTACTS

SECTRON s.r.o. Josefa Šavla 1271/12
709 00 Ostrava 9, Czech Republic

WWW.SECTRON.CZ
Tel.: +420 556 621 021