



GPS ANTENNA

Antenna GPS Mounting R36 PUCK, open end, RG174/10m

AP-AGPS-36

SECTRON company offers a wide portfolio of GPS antennas with various versions differing in shape, level of gain and manner of attachment. SECTRON guarantees compatible connection between an antenna and all antenna adaptors produced by SECTRON.



BENEFITS

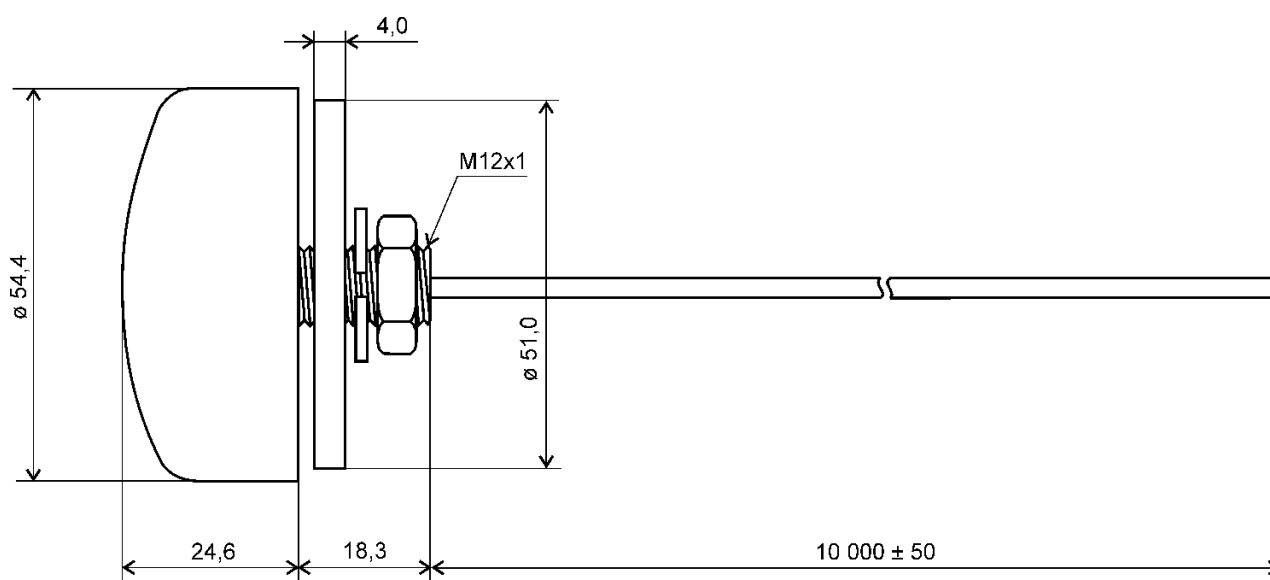
- Low VSWR
- High power supply range

FEATURES

AP-AGPS-36

Technology	GPS
Frequency bands	1575.42 MHz
Bandwidth	-
Gain	30 dBi
VSWR	<2.0:1
Impedance	50 Ohm
Directivity	Omnidirectional
Beam angle	H 360° V 30°
Polarization	R.H.C.P.
Maximum input power	10 W
Power voltage	2.7 - 5.5 V DC
Dimensions	∅ 54.7 x 23 mm
Weight	190 g
Operating temperature	-30 to +90 °C
Execution	External
Method of attachment	Mounting
Cable type	RG174/U
The cable length	10 m
Connector type	Open end

DRAWING



UNIT: mm

ALL VARIANTS

AP-AGPS-36

Different connector variants or cable lengths are available on request.

CONTACTS

SECTRON s.r.o. Josefa Šavla 1271/12
709 00 Ostrava 9, Czech Republic

WWW.SECTRON.CZ
Tel.: +420 556 621 021