

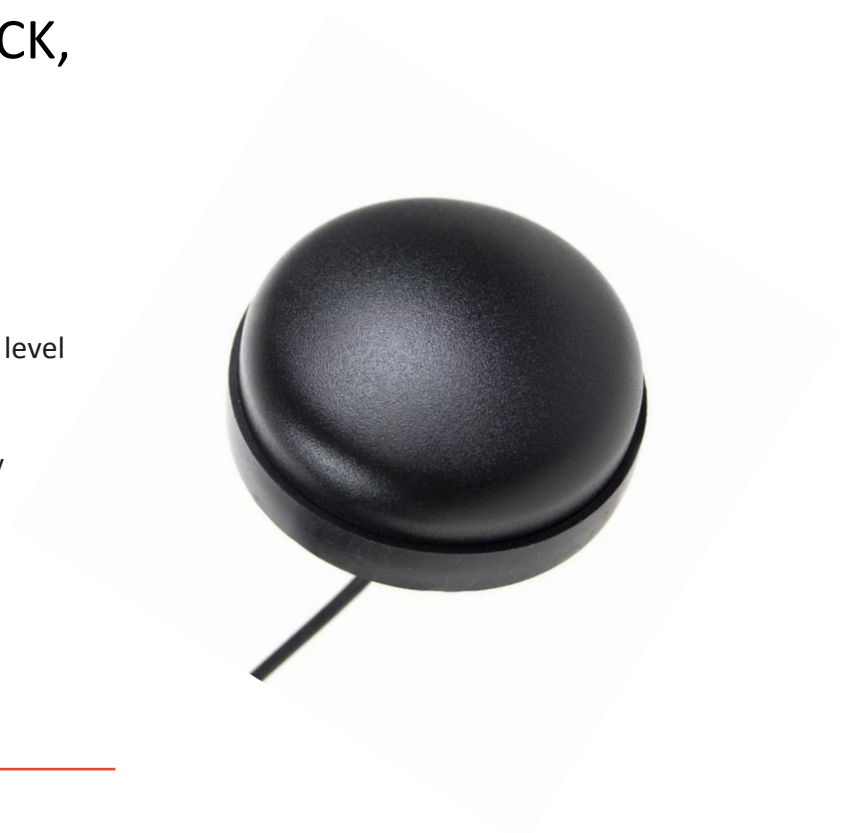


## GPS ANTENNA

### Antenna GPS Mounting PUCK, RG174/3m, SMA(m)

AP-AGPS-36S

SECTRON company offers a wide portfolio of GPS antennas with various versions differing in shape, level of gain and manner of attachment. SECTRON guarantees a compatible connection between an antenna and all antenna adaptors produced by SECTRON.

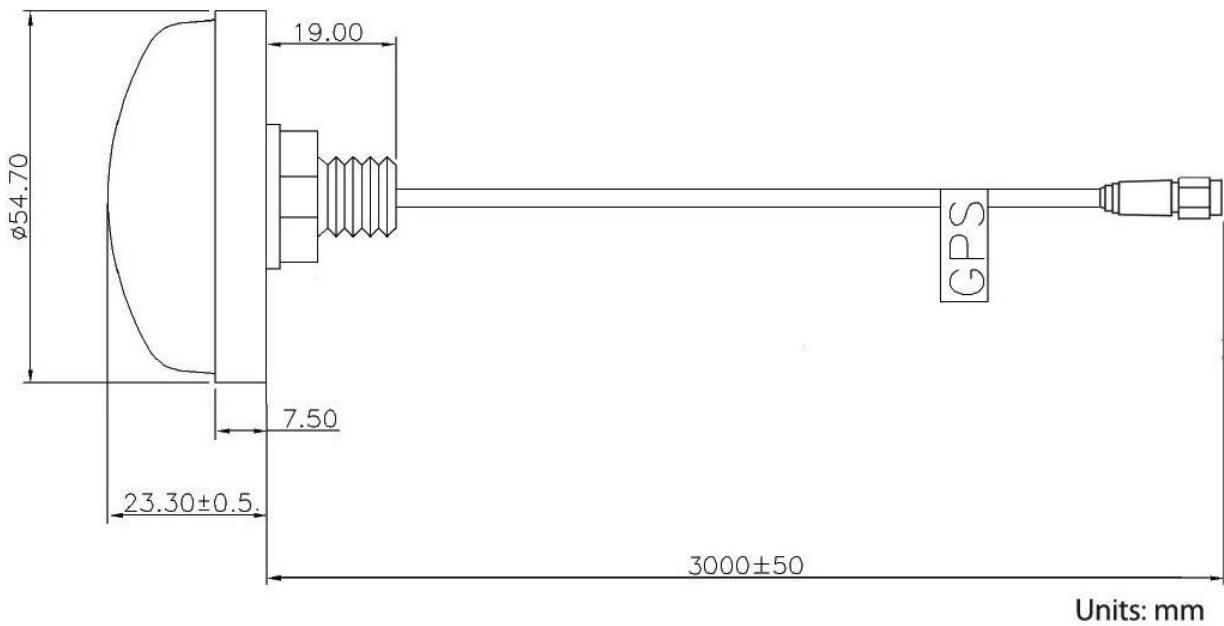


#### BENEFITS

- Low VSWR
- Anti-vandal design
- High gain

Technology	GPS
Frequency bands	1575.52 MHz
Bandwidth	-
Gain	30 dBi
VSWR	<2.0:1
Impedance	50 Ohm
Directivity	Omnidirectional
Beam angle	H 360° V 30°
Polarization	R.H.C.P.
Maximum input power	10 W
Power voltage	2.7 – 5.5 V
Dimensions	Ø 54.7 x 23.3 mm
Weight	100 g
Operating temperature	-30 to +90 °C
Execution	External
Method of attachment	Mounting
Cable type	RG174/U
The cable length	3 m
Connector type	SMA(m)

DRAWING



Different connector variants or cable lengths are available on request.

## CONTACTS

SECTRON s.r.o. Josefa Šavla 1271/12  
709 00 Ostrava 9, Czech Republic

WWW.SECTRON.CZ  
Tel.: +420 556 621 021