



GNSS ANTENNA

Antenna GNSS Screw Mount Marine, TNC(f)

AP-AGPS-10T

SECTRON company offers a wide portfolio of GNSS antennas with various versions differing in shape, level of gain or attachment manner. SECTRON guarantees a compatible connection between antenna and all antenna adaptors produced by SECTRON.

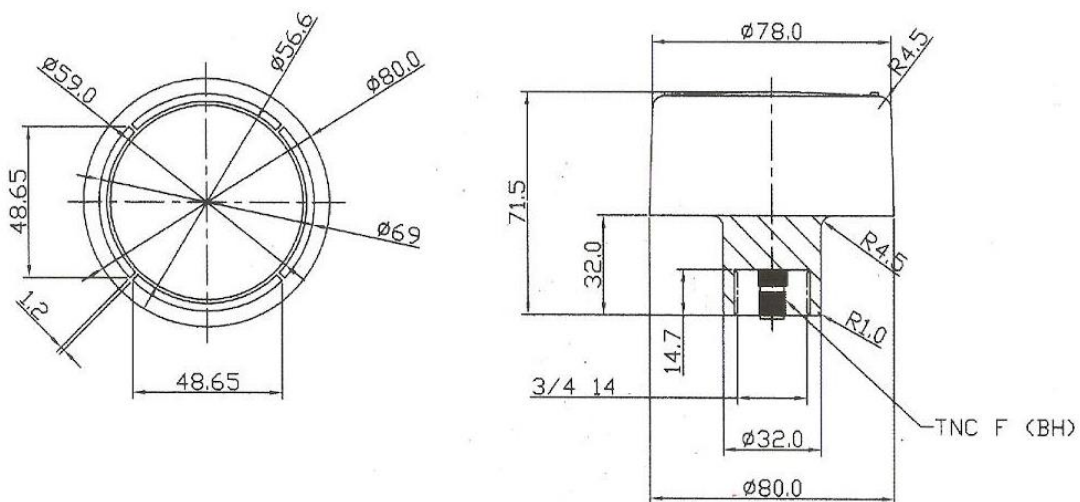


BENEFITS

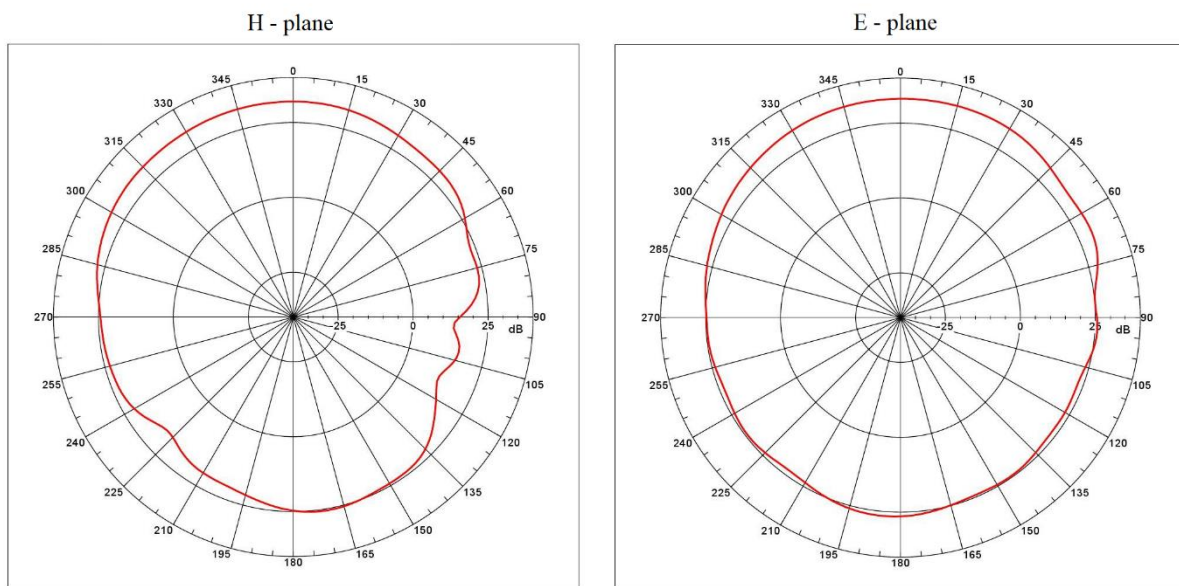
- Low VSWR
- High gain
- Environmental resistance

Technology	GPS/ Glonass
Frequency bands	1575.42/ 1602 MHz
Bandwidth	-
Gain	30 dBi
VSWR	<2.0:1
Impedance	50 Ohm
Directivity	Omnidirectional
Beam angle	H 360° V 30°
Polarization	R.H.C.P.
Maximum input power	10 W
Power voltage	2.5-5.5 V DC
Dimensions	ø81 x 71,5 mm
Weight	120 g
Operating temperature	-20 to +65 °C
Execution	External
Method of attachment	Screw Mount
Cable type	-
The cable length	-
Connector type	TNC(f)
IP Code	IP67

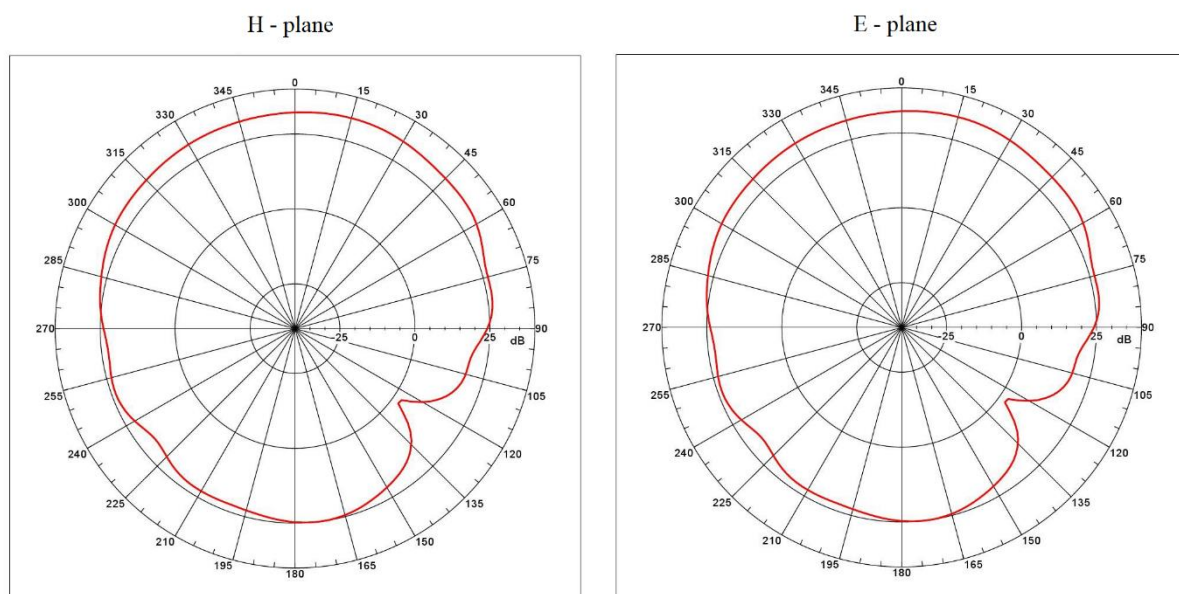
DRAWING



Far-field amplitude 1575.42 MHz



Far-field amplitude 1602 MHz



Different connector variants or cable lengths are available on request.

Different connector variants or cable lengths are available on request.

CONTACTS

SECTRON s.r.o. Josefa Šavla 1271/12
709 00 Ostrava 9, Czech Republic

WWW.SECTRON.CZ
Tel.: +420 556 621 021