



# GPS/GLONASS ANTENNA

Antenna GPS/GLONASS Magnet Mount, SMA(m), SC-174/3m

AP-AGNSS-SMA-SC174

SECTRON company offers a wide portfolio of GPS/GLONASS antennas with various versions differing in shape, level of gain and manner of attachment. SECTRON guarantees a compatible connection between an antenna and all antenna adaptors produced by SECTRON.



## BENEFITS

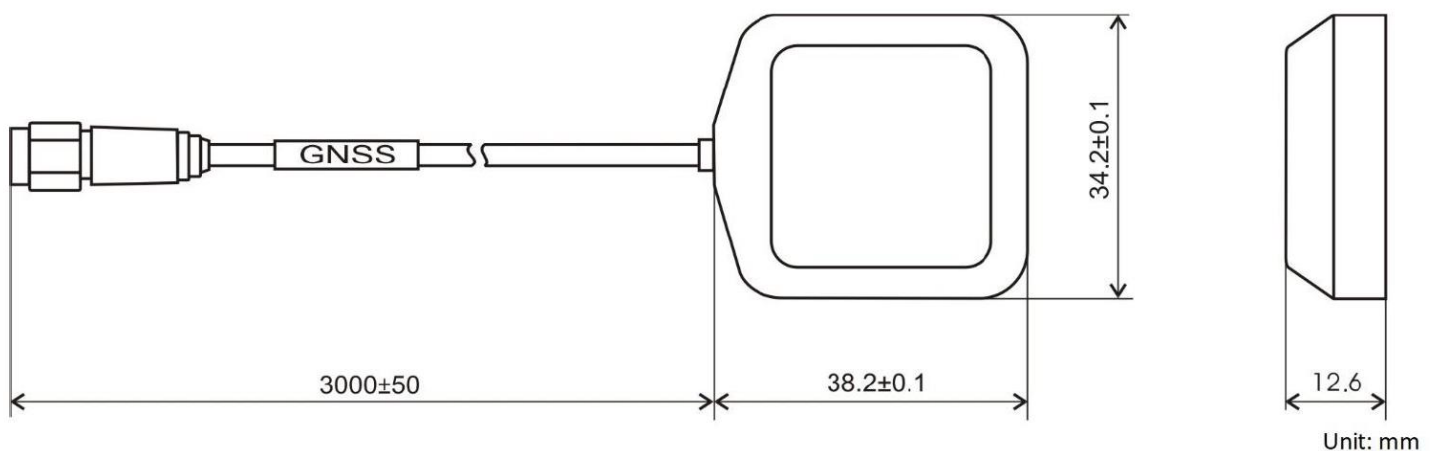
- Low VSWR
- High LNA Gain

## FEATURES

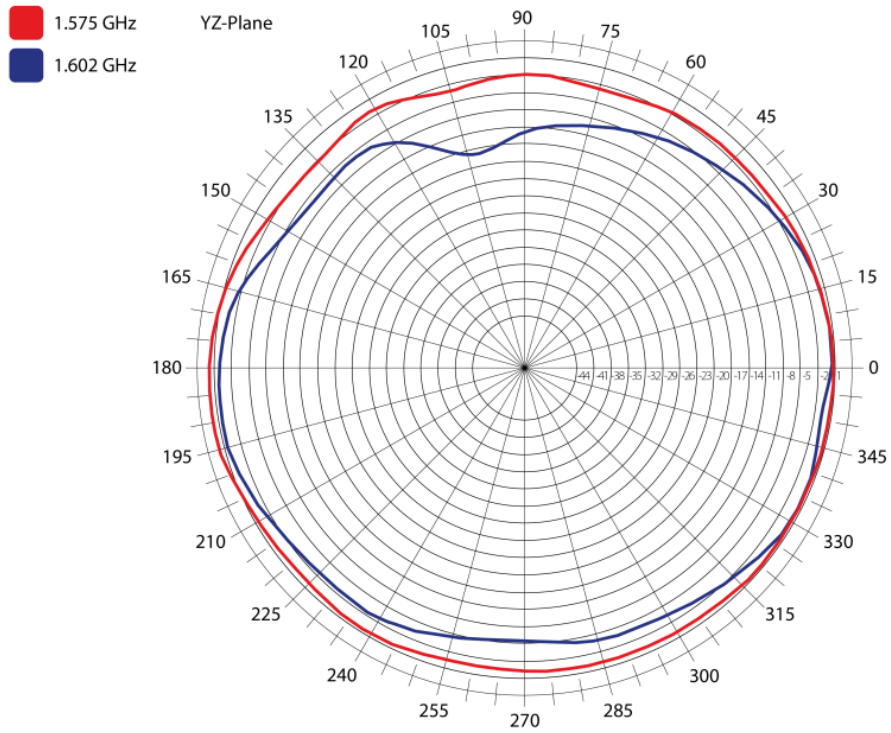
AP-AGNSS-SMA-SC174

Technology	GPS/GLONASS
Frequency bands	1575.42/1602 MHz
Bandwidth	-
Gain	0 dBi
LNA Gain	25/18 dB
VSWR	<1.6:1
Impedance	50 Ohm
Directivity	Omnidirectional
Beam angle	H 360° V 30°
Polarization	R.H.C.P.
Maximum input power	10 W
Power voltage	3 V
Dimensions	38.2 x 34.2 x 12.6 mm
Weight	53.5 g
Operating temperature	-40 to +85 °C
Execution	External
Method of attachment	Magnet Mount
Cable type	SC174/U
The cable length	3 m
Connector type	SMA (m)

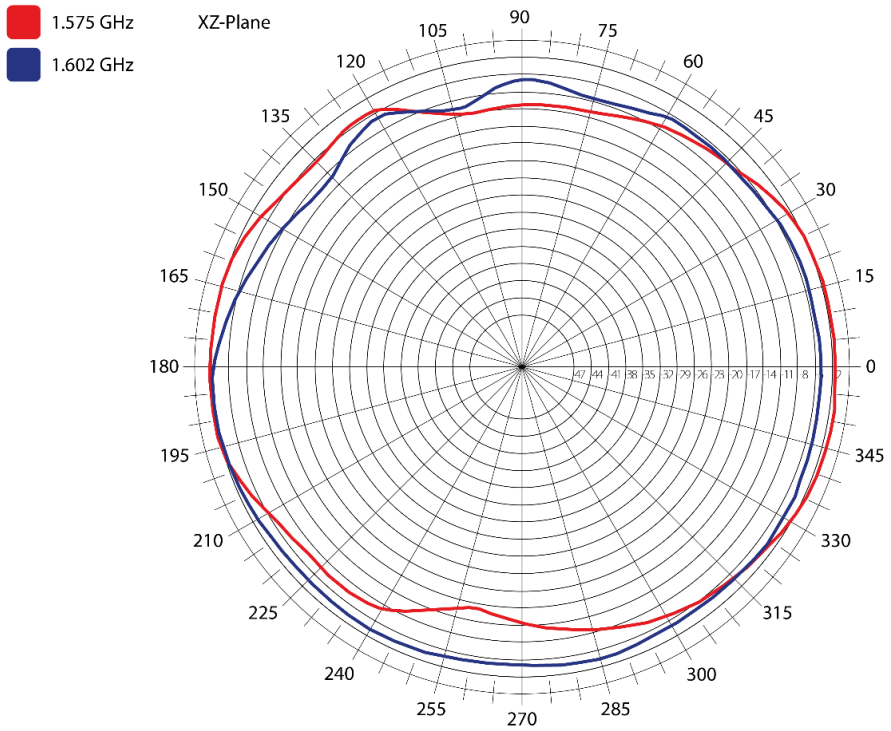
## DRAWING



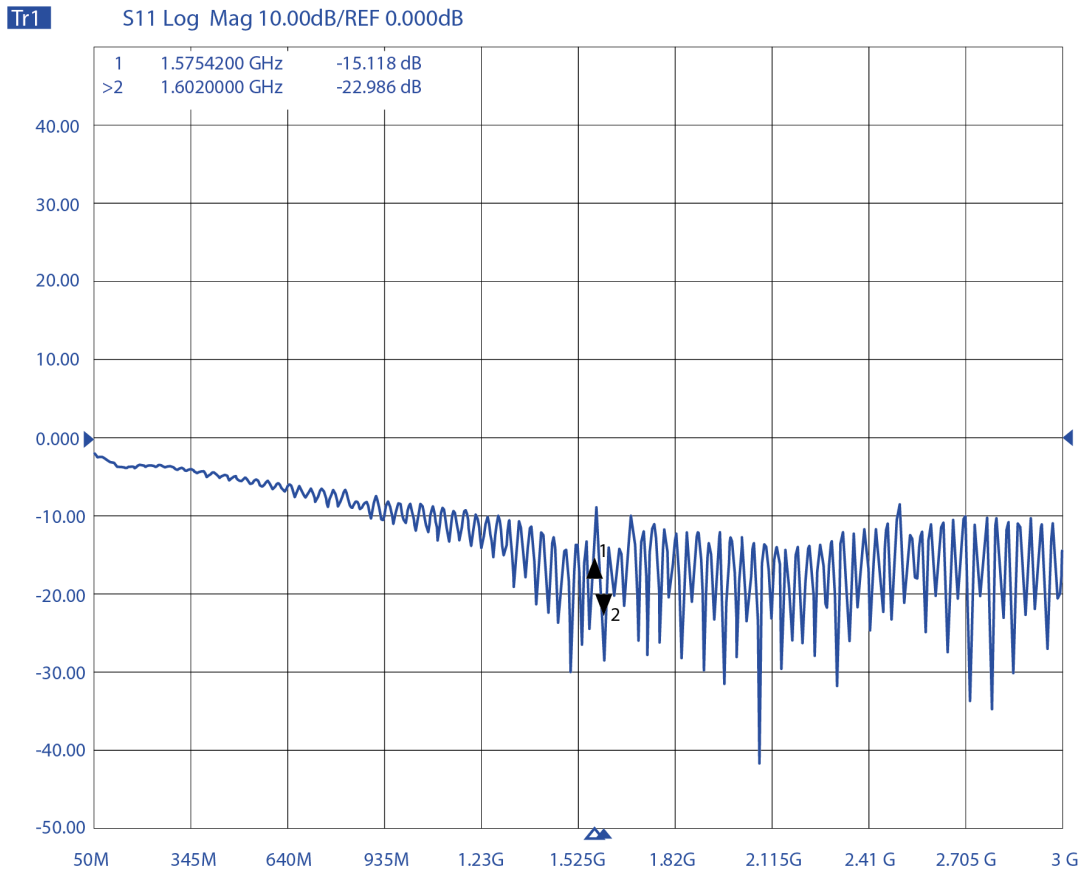
### RADIATION PATTERN - YZ plane



### RADIATION PATTERN - XZ plane



## VSWR – Voltage standing wave ratio [-]



## VARIANTS

## AP-AGNSS-SMA-SC174

Different connector variants or cable lengths are available on request.

## CONTACTS

SECTRON s.r.o. Josefa Šavla 1271/12  
709 00 Ostrava 9, Czech Republic

WWW.SECTRON.CZ  
Tel.: +420 556 621 020