



GPS/GLONASS ANTENNA

Antenna GPS/GLONASS Screw Mount
A601, SMA(m), RG174/3m

AP-AGNSS-A601S

SECTRON company offers a wide portfolio of GPS/GLONASS antennas with various versions differing in shape, level of gain and manner of attachment. SECTRON guarantees a compatible connection between an antenna and all antenna adaptors produced by SECTRON.



BENEFITS

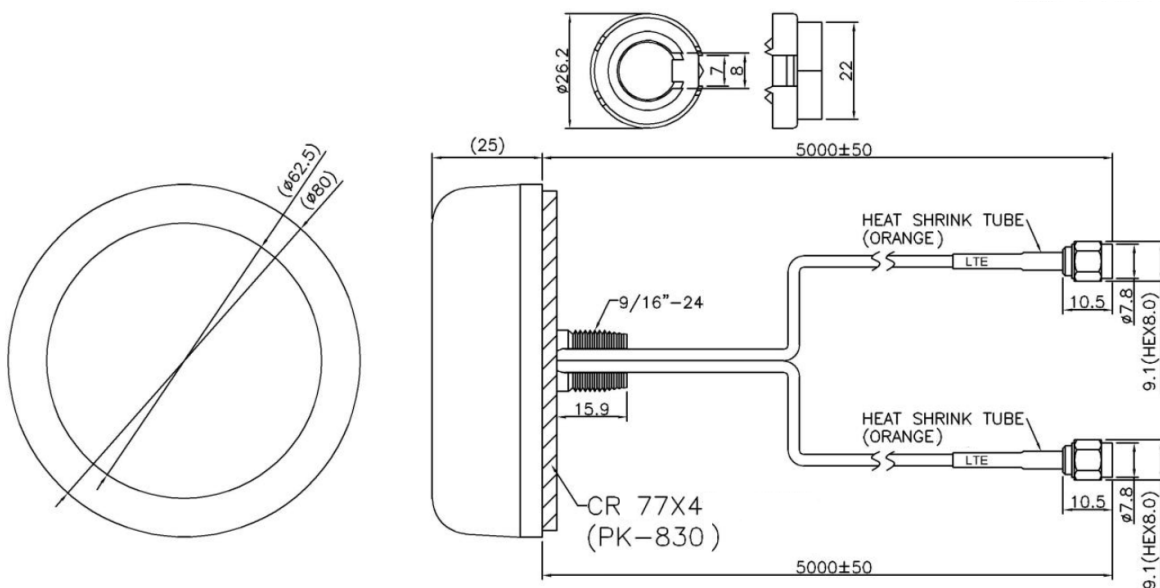
- Low VSWR
- High power supply range
- Omnidirectional

FEATURES

AP-AGNSS-A601S

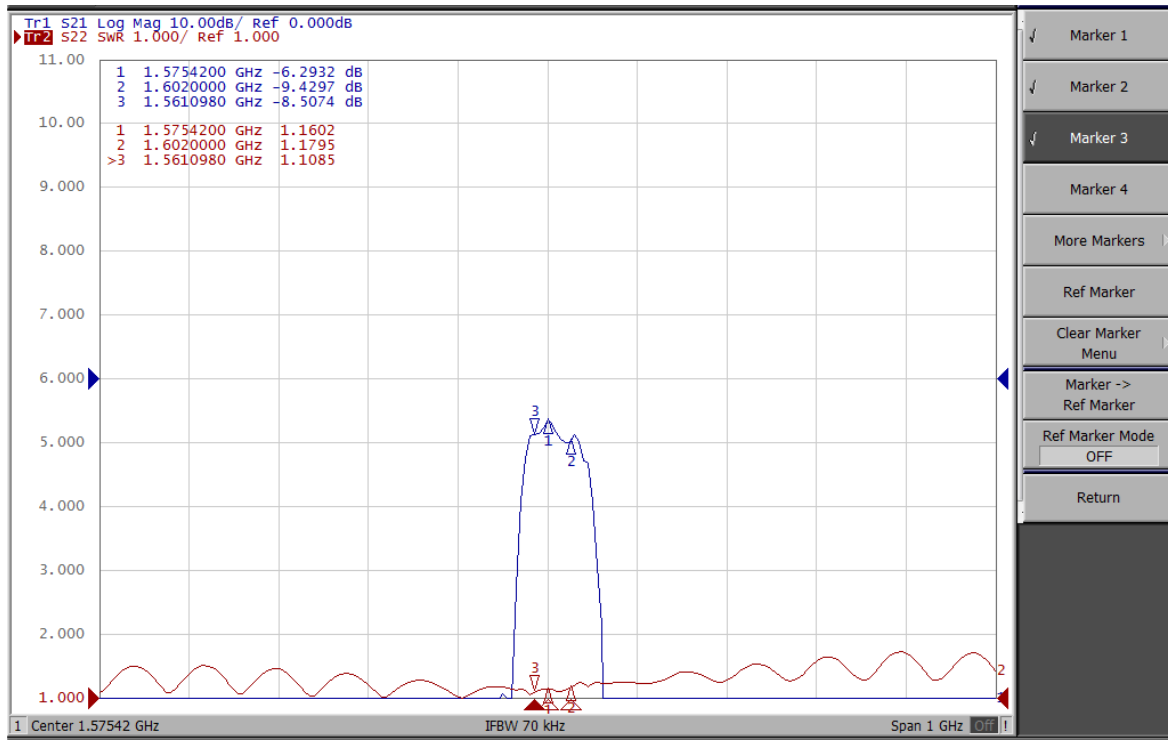
Technology	GPS/GLONASS
Frequency bands	1575.42/1602 MHz
Bandwidth	5 MHz
Gain	2 dBi
LNA Gain	28 dB dBi
VSWR	<1.5:1
Impedance	50 Ohm
Directivity	Omnidirectional
Beam angle	H 360° V 30°
Polarization	R.H.C.P
Maximum input power	10 W
Power voltage	2.2-5V DC
Dimensions	Ø68 x 34.8 mm
Weight	200.9 g
Operating temperature	-40 to +85 °C
Execution	External
Method of attachment	Screw Mount
Cable type	RG174/U
The cable length	3 m
Connector type	SMA(m)

DRAWING

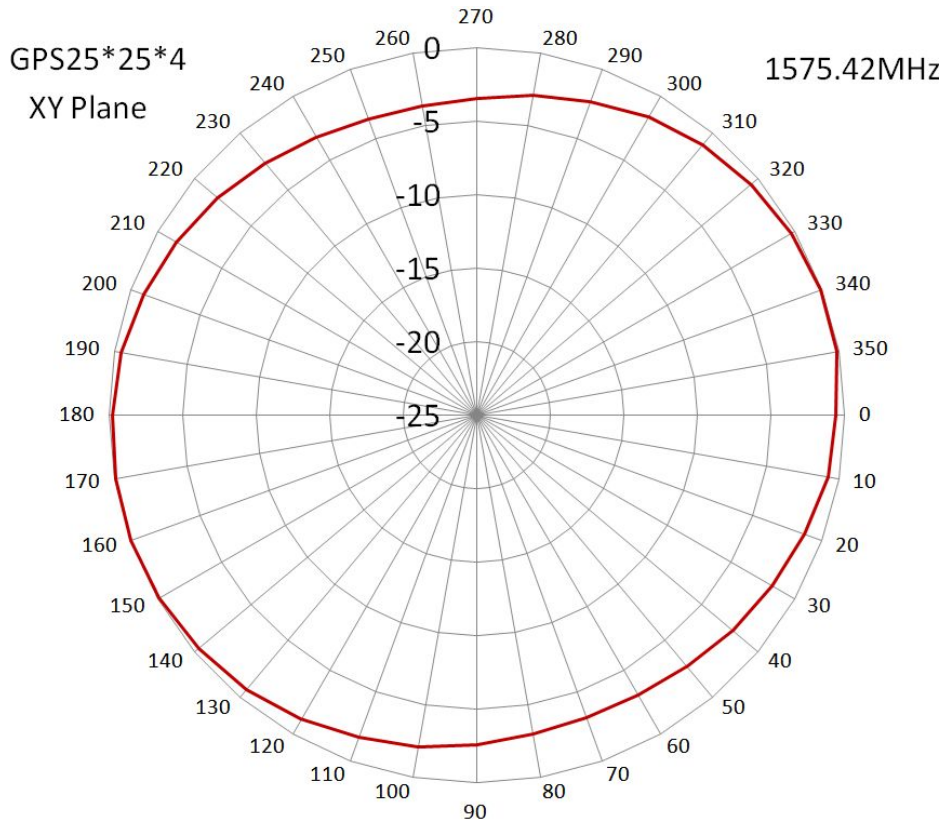


S_{11} - Return Loss [dB]

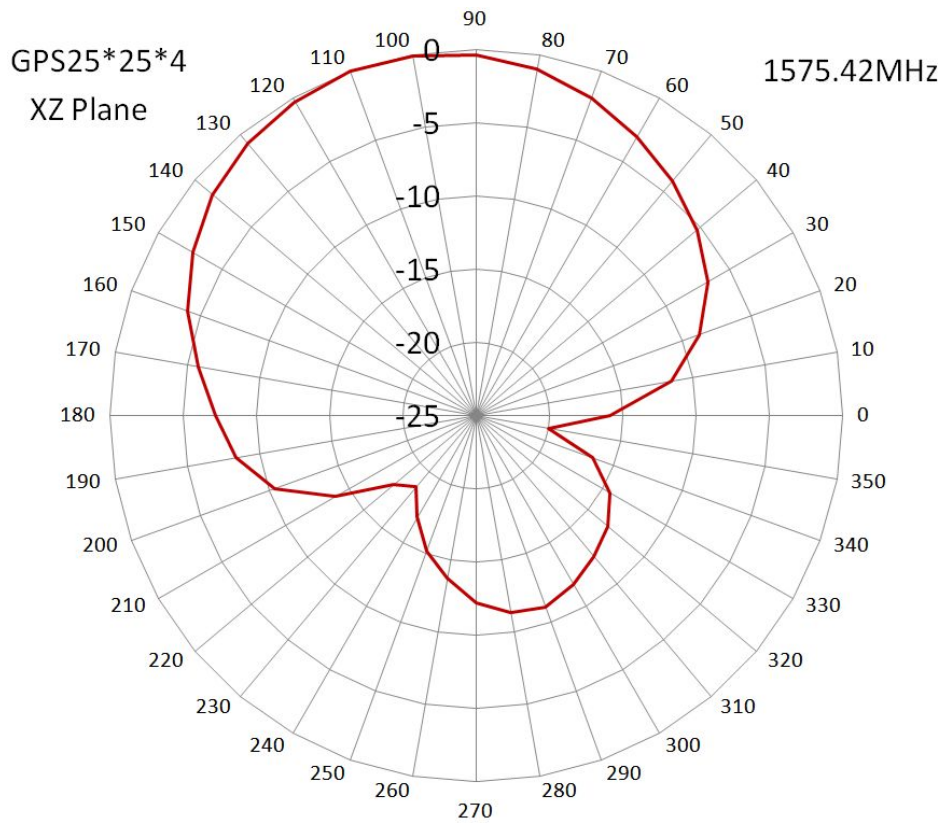
VSWR – Voltage standing wave ratio [-]



RADIATION PATTERN - XY plane



RADIATION PATTERN - XZ plane



Different connector variants or cable lengths are available on request.

CONTACTS

SECTRON s.r.o. Josefa Šavla 1271/12
709 00 Ostrava 9, Czech Republic

WWW.SECTRON.CZ
Tel.: +420 556 621 020