



GPS/GLONASS ANTENNA

Antenna GPS/GLONASS Mounting 601,
SMA(m), RG174/3m

AP-AGNSS-A601S

SECTRON company offers a wide portfolio of GPS/GLONASS antennas with various versions differing in shape, level of gain and manner of attachment. SECTRON guarantees a compatible connection between an antenna and all antenna adaptors produced by SECTRON.

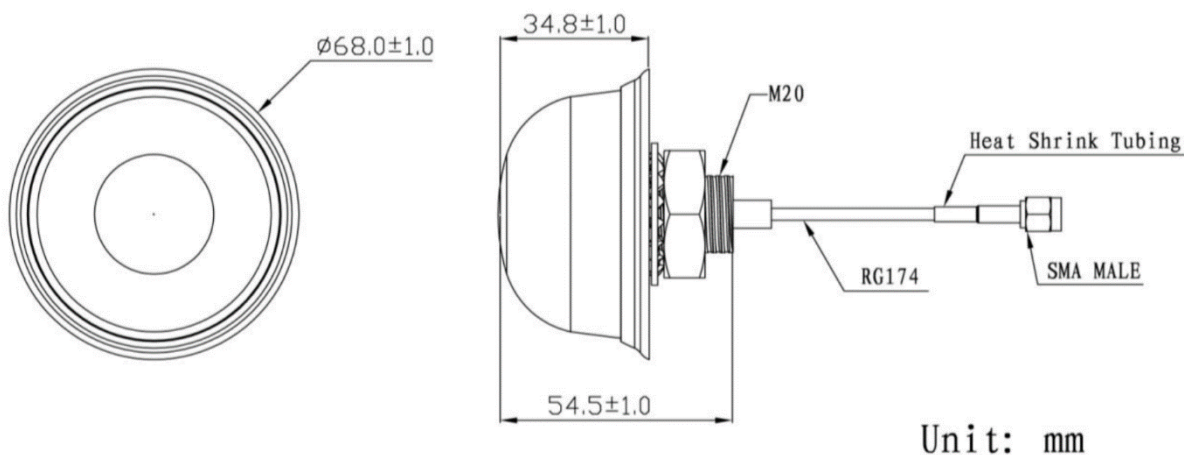


BENEFITS

- Low VSWR
- Omnidirectional - suitable for moving devices
- High power supply range

Technology	GPS/GLONASS
Frequency bands	1575.42/1602 MHz
Bandwidth	5 MHz
Gain	28 dBi
VSWR	<1.5:1
Impedance	50 Ohm
Directivity	Omnidirectional
Beam angle	H 360° V 30°
Polarization	R.H.C.P
Maximum input power	10 W
Power voltage	2.2-5V DC
Dimensions	∅ 68 x 34.8 mm
Weight	200.90 g
Operating temperature	-40°C to +85°C
Execution	External
Method of attachment	Mounting
Cable type	RG174/U
The cable length	3 m
Connector type	SMA(m)

DRAWING



CONTACTS