



GPS/GLONASS

Antenna GPS/GLONASS

Mounting 003, SMA(m), RG174/3m

AP-AGNSS-A003S

SECTRON company offers wide portfolio GPS/GLONASS antennas with various versions differing in shape, level of gain or attachment manner. SECTRON guarantees compatible connection between antenna and all antenna adaptors produced by SECTRON.

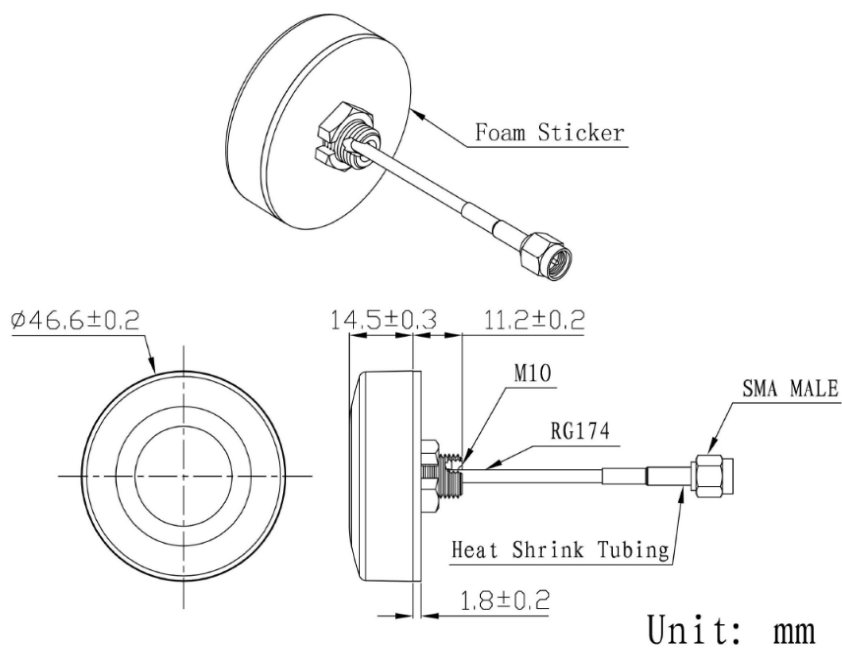


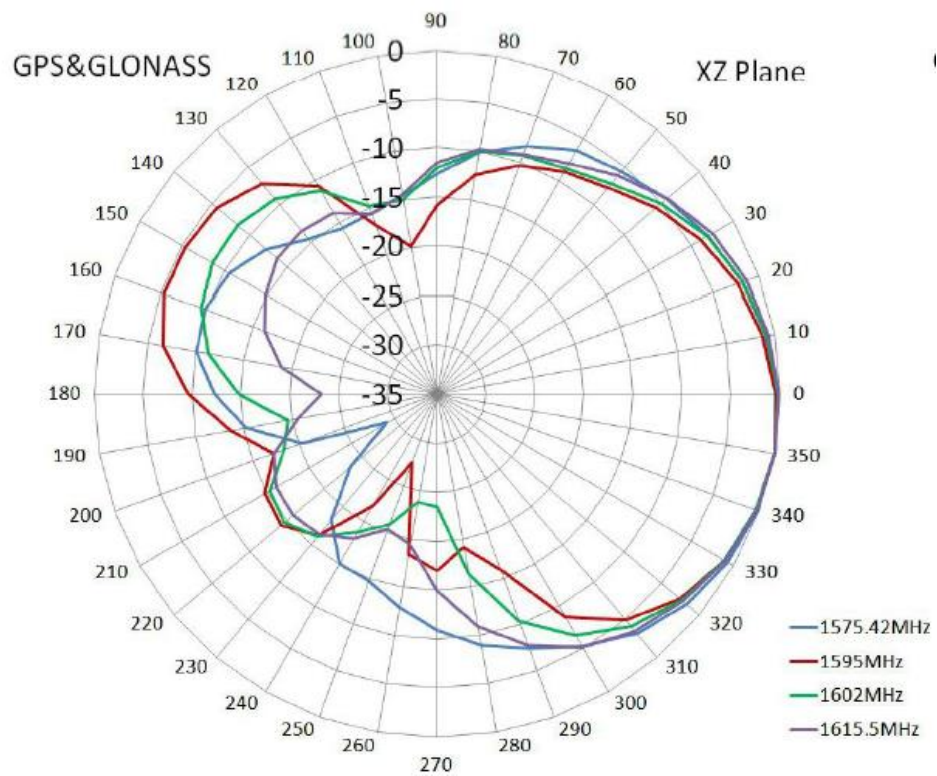
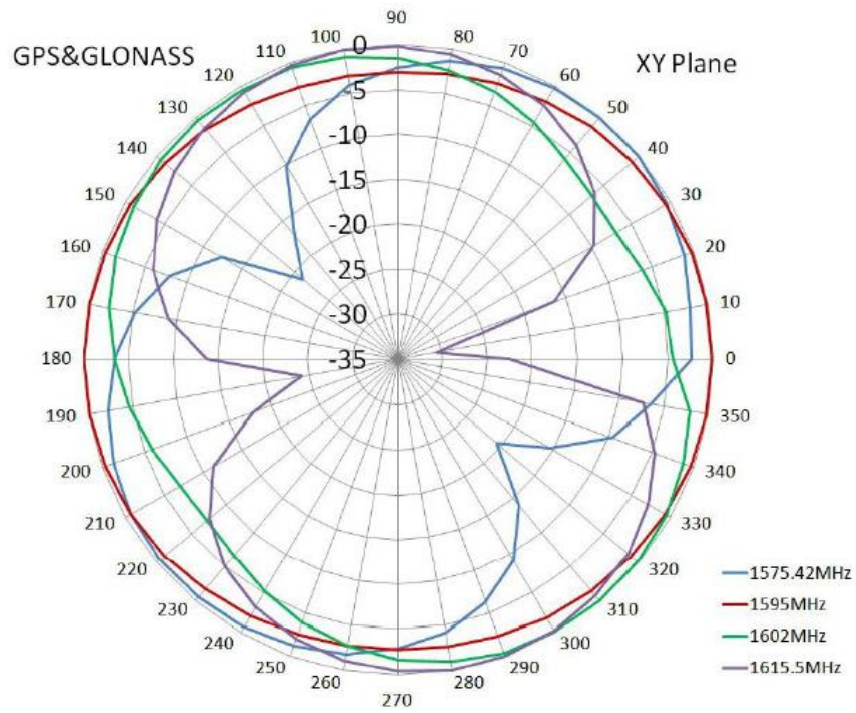
BENEFITS

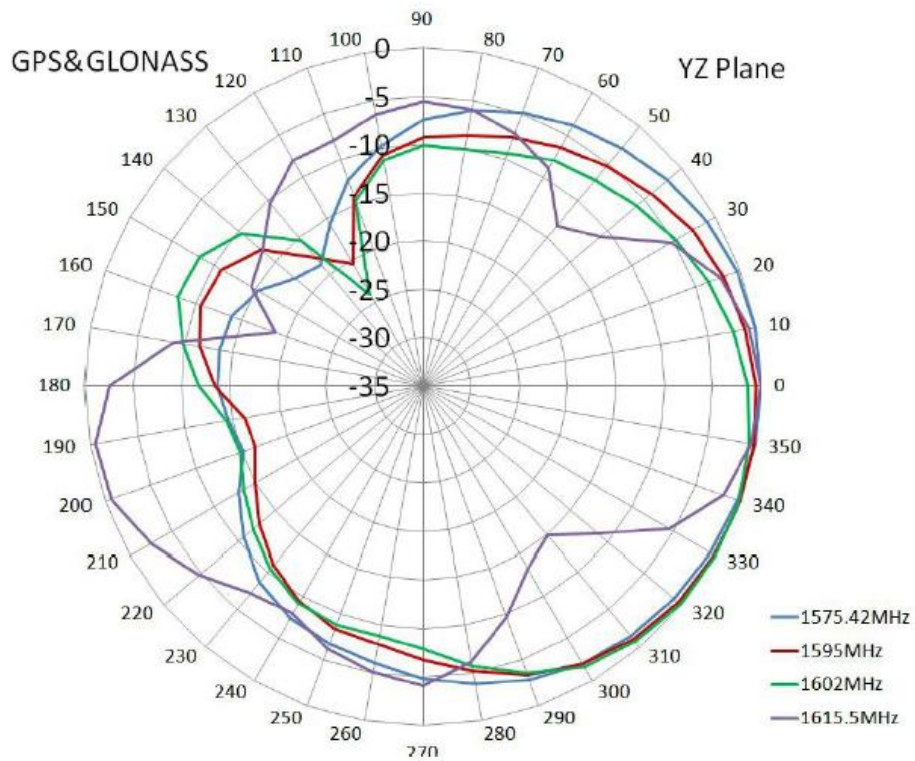
- Low VSWR
- Omnidirectional - suitable for moving devices
- High power supply range

Technology	GPS
Frequency bands	1575.42/1602 MHz
Bandwidth	5 MHz
Gain	28 dBi
VSWR	<1.5: 1
Impedance	50 ohm
Directivity	Omnidirectional
Beam angle	H 360° V 30°
Polarization	R.H.C.P
Maximum input power	10W
Power voltage	2.2-5V DC
Dimensions	46.6 x 16.3 mm
Weight	74.8 g
Operating temperature	-40°C to +85°C
Execution	External
Method of attachment	Mounting
Cable type	RG174 / U
The cable length	3 m
Connector type	SMA(m)

DRAWING







CONTACTS

SECTRON s.r.o. Josefa Šavla 1271/12
709 00 Ostrava 9, Czech Republic

WWW.SECTRON.CZ
Tel.: +420 556 621 021

VARIANT	PART NUMBER

CONTACTS

SECTRON s.r.o. Josefa Šavla 1271/12
709 00 Ostrava 9, Czech Republic

WWW.SECTRON.CZ
Tel.: +420 556 621 021