



## GPS/GLONASS ANTENNA

Antenna GPS/GLONASS  
Adhesive/Magnet\* Mount  
002, SMA(m), RG174/3m

AP-AGNSS-A002S

SECTRON company offers wide portfolio GSP/GLONASS antennas with various versions differing in shape, level of gain or attachment manner. SECTRON guarantees compatible connection between antenna and all antenna adaptors produced by SECTRON.

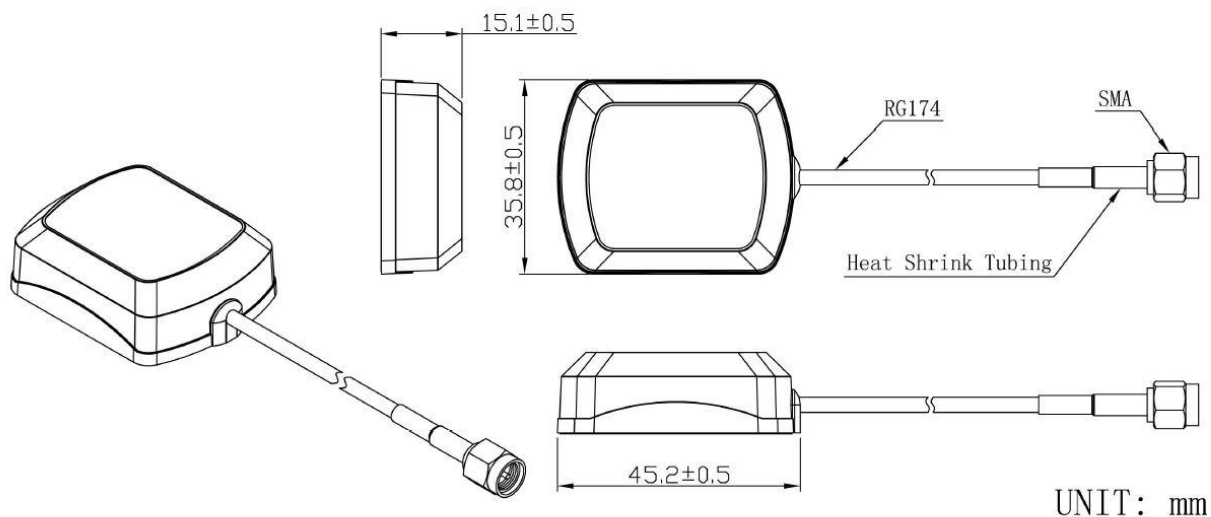


### BENEFITS

- Low VSWR
- Easy installation
- High power supply range

Technology	GPS/GLONASS
Frequency bands	1575.42/1602 MHz
Bandwidth	5 MHz
Gain	5 dBic
LNA Gain	28 dB
VSWR	<1.5: 1
Impedance	50 ohm
Directivity	Omnidirectional
Beam angle	H 360° V 30°
Polarization	R.H.C.P
Maximum input power	10W
Power voltage	2.2-5V DC
Dimensions	45.2 x 35.8 x 15.1 mm
Weight	64.48 g
Operating temperature	-40 to +85 ° C
Execution	External
Method of attachment	Adhesive/Magnetic*
Cable type	RG174 / U
The cable length	3 m
Connector type	SMA(m)
IP code	IP67
Certification	RoHS
Radome material	ABS

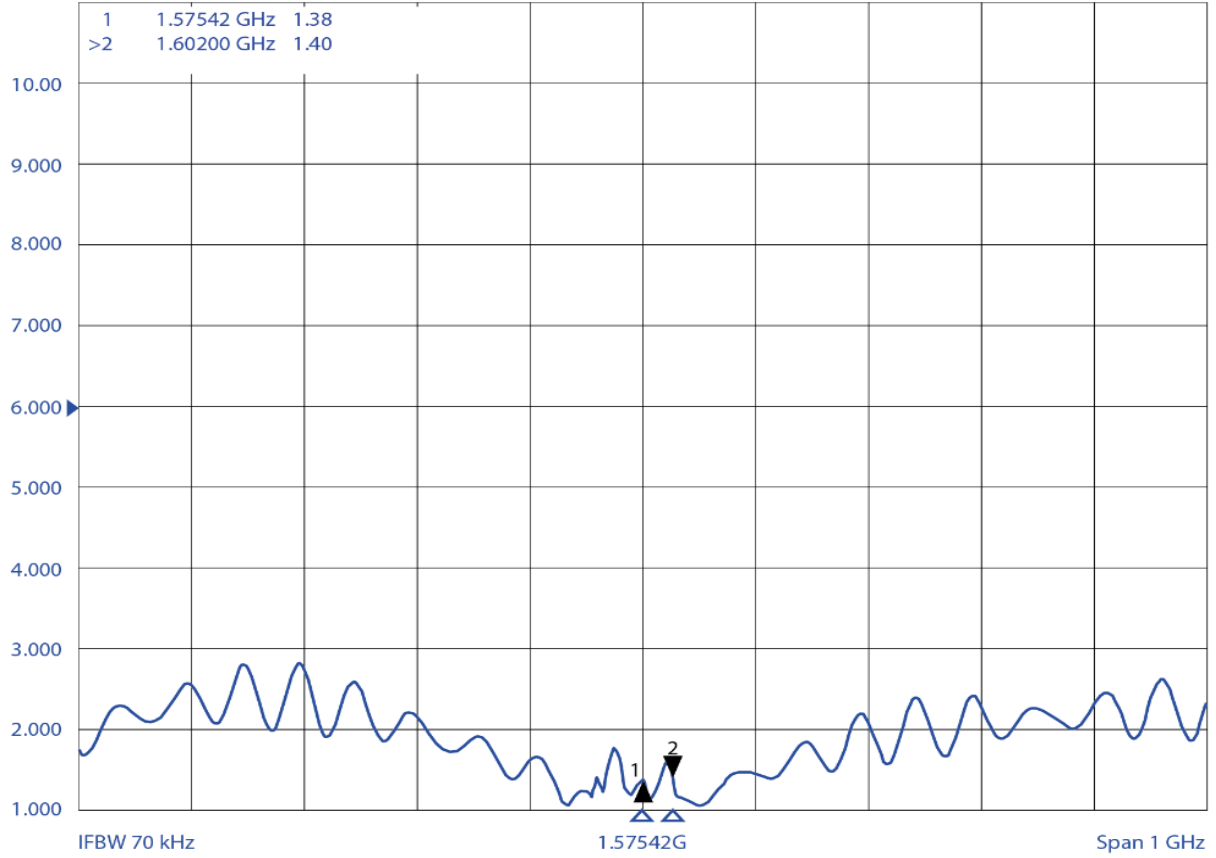
DRAWING



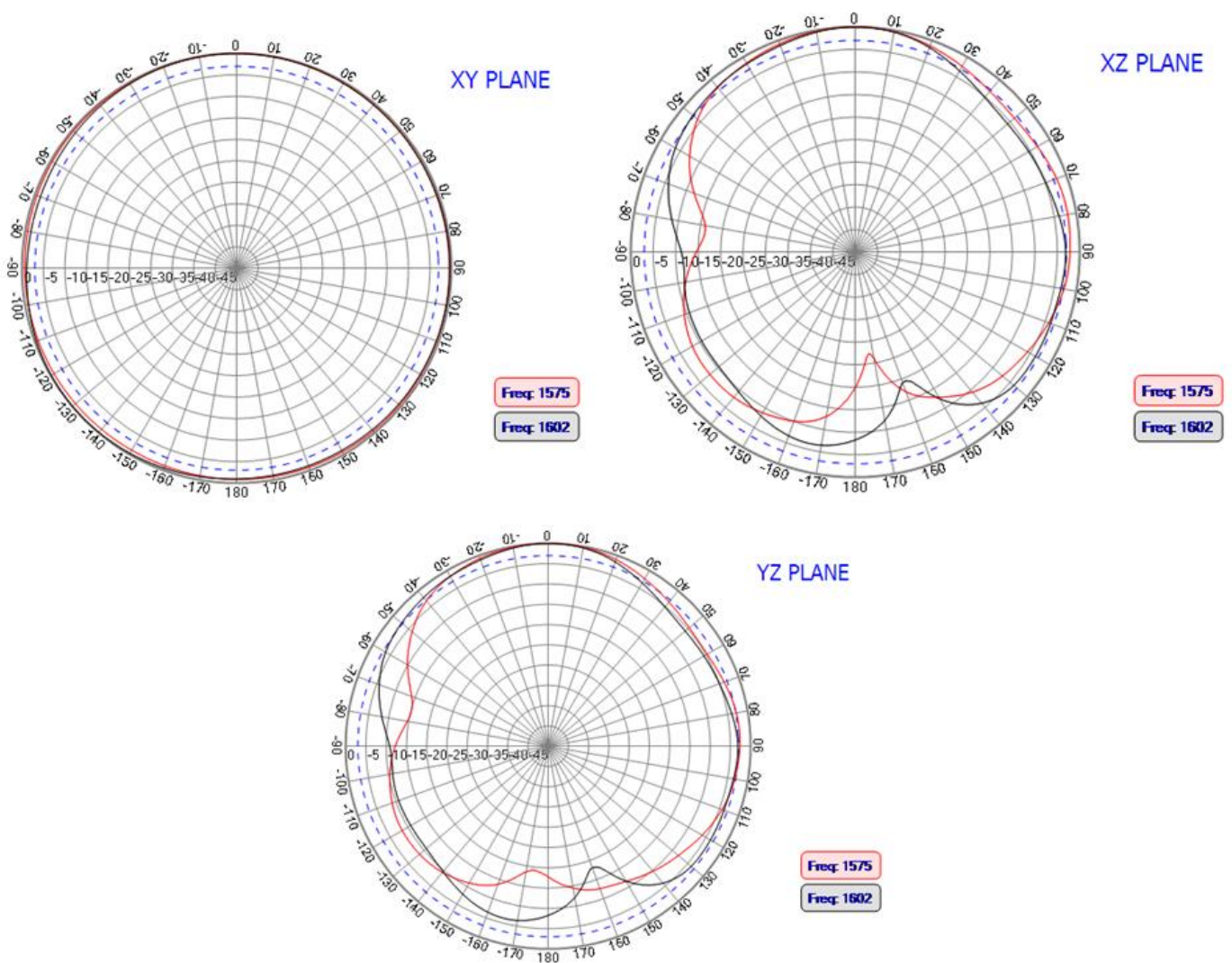
### VSWR

Tr1

S11 SWR 1.000/ Ref 1.000



## Radiation pattern



## VARIANTS

\*Type of Attachment & Connector & Cable Length are optional.

## CONTACTS

SECTRON s.r.o. Josefa Šavla 1271/12  
709 00 Ostrava 9, Czech Republic

WWW.SECTRON.CZ  
Tel.: +420 556 621 020