



GPS/GLONASS ANTENNA

Antenna GPS/GLONASS Mount R36, PUK, RG174/3 m, SMA(m)

AP-AGNSS-36S

SECTRON company offers a wide portfolio of GPS/GLONASS antennas with various versions differing in shape, level of gain and manner of attachment. SECTRON guarantees a compatible connection between an antenna and all antenna adaptors produced by SECTRON.



BENEFITS

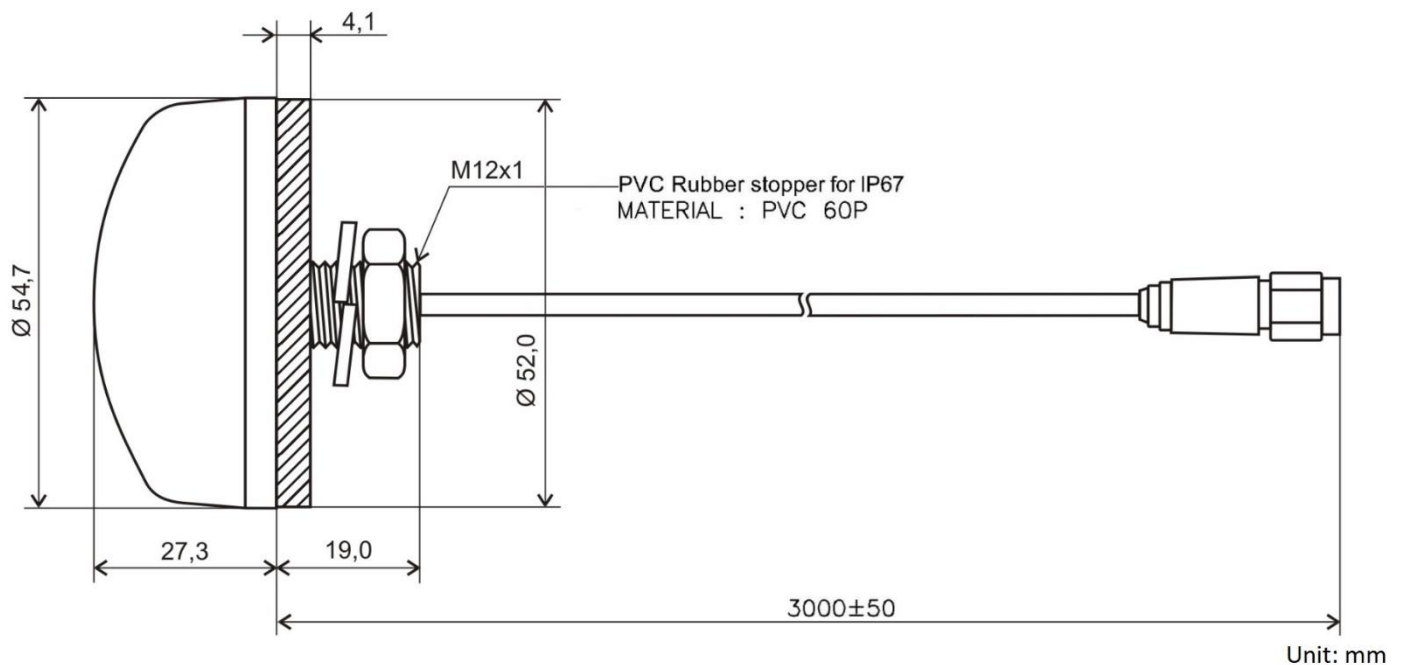
- Environmental resistance
- Easy installation

FEATURES

AP-AGNSS-36S

| | |
|-----------------------|--------------------|
| Technology | GPS/GLONASS |
| Frequency bands | 1575.42/1602 MHz |
| Bandwidth | 10 MHz |
| Gain | 0 dBi |
| LNA Gain | 30 dBi |
| VSWR | <2.0:1 |
| Impedance | 50 Ohm |
| Directivity | Omnidirectional |
| Beam angle | H 360° V 30° |
| Polarization | R.H.C.P. |
| Maximum input power | 10 W |
| Power voltage | - |
| Dimensions | Ø54.7 x 27.3 mm |
| Weight | 120 g |
| Operating temperature | -30 to +80 °C |
| Execution | External |
| Method of attachment | Mounting |
| Cable type | RG174/U |
| The cable length | 3 m |
| Connector type | SMA(m) |
| IP Code | IP67 |
| Certification | ISO 9001/ISO 14001 |

DRAWING



Different connector variants or cable lengths are available on request.