



## GNSS ANTENNA

### Antenna GPS/GLONASS Adhesive 30, SMA(m), RG174/3m

AP-AGNSS-30S

SECTRON company offers a wide portfolio of GPS/GLONASS antennas with various versions differing in shape, level of gain and manner of attachment. SECTRON guarantees a compatible connection between an antenna and all antenna adaptors produced by SECTRON.

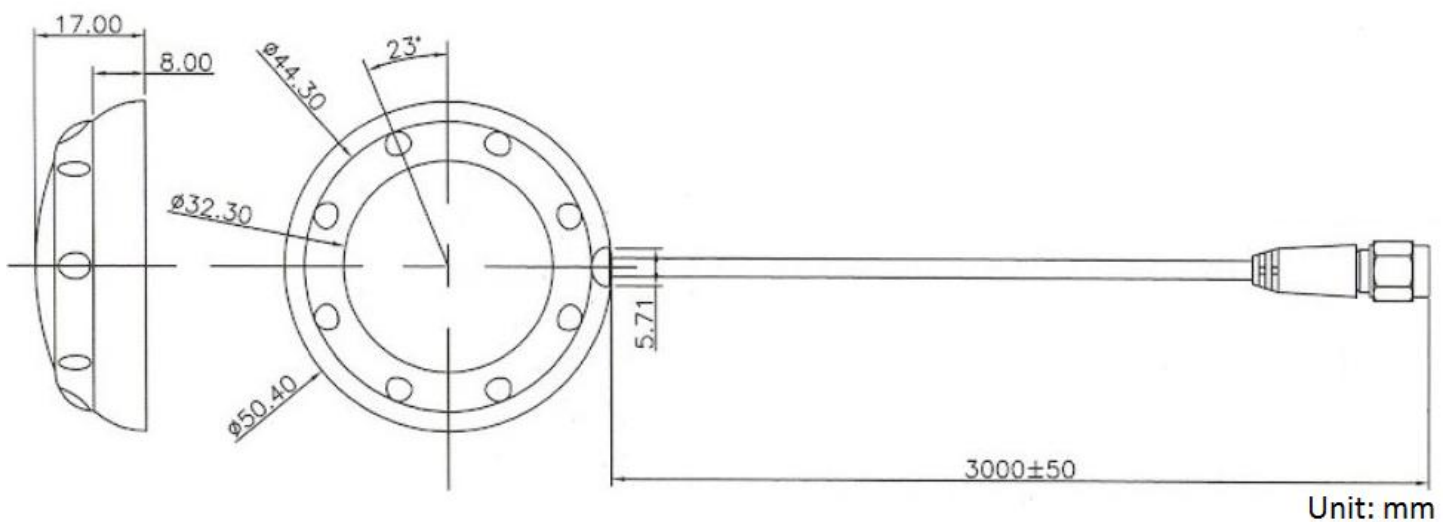


#### BENEFITS

- Low VSWR
- High gain
- Anti-vandal design

|                       |                  |
|-----------------------|------------------|
| Technology            | GPS/GLONASS      |
| Frequency bands       | 1575.42/1602 MHz |
| Bandwidth             | -                |
| Gain                  | 3 dBi            |
| LNA gain              | 27 dB            |
| VSWR                  | <1.8:1           |
| Impedance             | 50 Ohm           |
| Directivity           | Omnidirectional  |
| Beam angle            | H 360° V 30°     |
| Polarization          | R.H.C.P.         |
| Maximum input power   | 10 W             |
| Power voltage         | 2.5 – 5.5 V      |
| Dimensions            | ∅ 50.5 x 17 mm   |
| Weight                | 67 g             |
| Operating temperature | -30 to +80 °C    |
| Execution             | External         |
| Method of attachment  | Adhesive         |
| Cable type            | RG174/U          |
| The cable length      | 3 m              |
| Connector type        | SMA(m)           |

DRAWING



Different connector variants or cable lengths are available on request.