



## GNSS ANTENNA

### Antenna GPS/GLONASS Adhesive 30, SMA(m), RG174/3m

AP-AGNSS-30S

SECTRON company offers a wide portfolio of GPS/GLONASS antennas with various versions differing in shape, level of gain and manner of attachment. SECTRON guarantees a compatible connection between an antenna and all antenna adaptors produced by SECTRON.

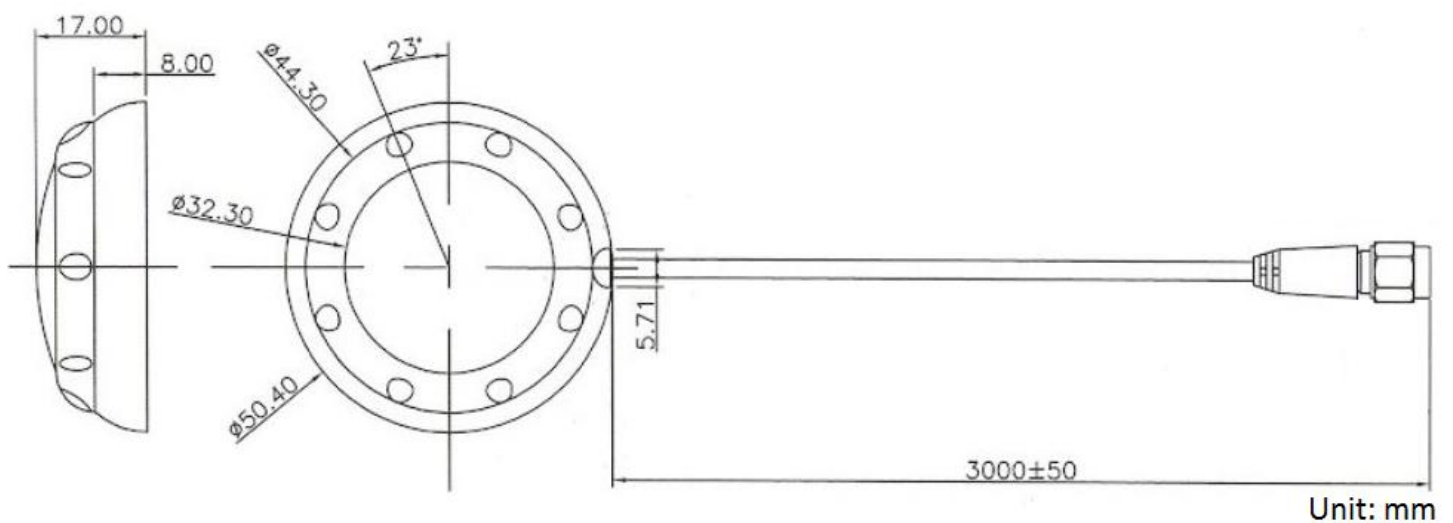


#### BENEFITS

- Low VSWR
- High gain
- Anti-vandal design

Technology	GPS/GLONASS
Frequency bands	1575.42/1602 MHz
Bandwidth	-
Gain	30 dBi
VSWR	<1.8:1
Impedance	50 Ohm
Directivity	Omnidirectional
Beam angle	H 360° V 30°
Polarization	R.H.C.P.
Maximum input power	10 W
Power voltage	2.5 – 5.5 V
Dimensions	∅ 50.5 x 17 mm
Weight	67 g
Operating temperature	-30 to +80 °C
Execution	External
Method of attachment	Adhesive
Cable type	RG174/U
The cable length	3 m
Connector type	SMA(m)

DRAWING



Different connector variants or cable lengths are available on request.