



## GNSS ANTENNA

### Antenna GPS/GLONASS Adhesive 20, SMB(f), RG174/3m

AP-AGNSS-20B

SECTRON company offers a wide portfolio of GPS/GLONASS antennas with various versions differing in shape, level of gain and manner of attachment. SECTRON guarantees a compatible connection between an antenna and all antenna adaptors produced by SECTRON.

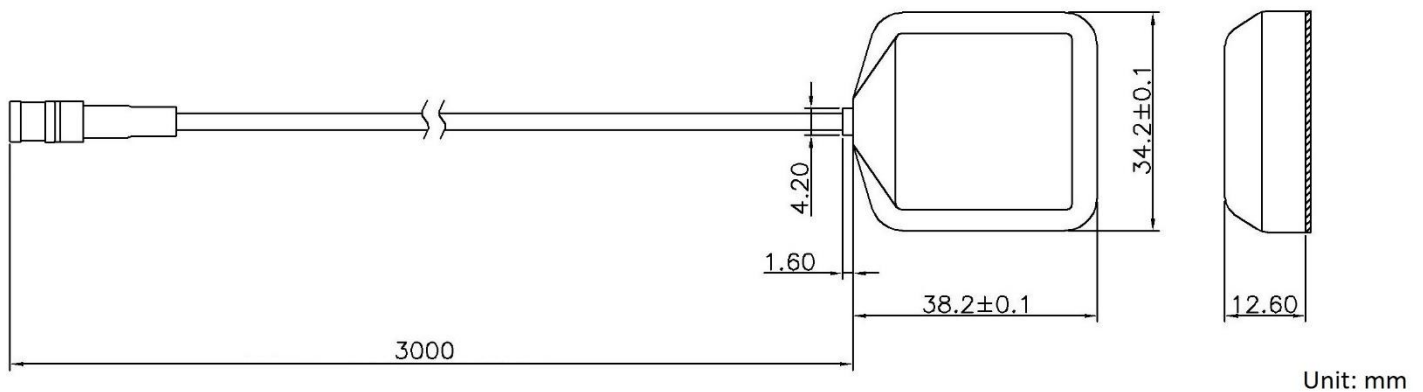


#### BENEFITS

- Low VSWR
- Anti-vandal design
- Easy installation

Technology	GPS/GLONASS
Frequency bands	1575.42/1602 MHz
Bandwidth	-
Gain	2.5/1.9 dBi
LNA gain	20/20 dB
VSWR	<2.0:1
Impedance	50 Ohm
Directivity	Omnidirectional
Beam angle	H 360° V 30°
Polarization	R.H.C.P.
Maximum input power	10 W
Power voltage	2.5 – 3.5 V
Dimensions	38.2 x 34.2 x 12.6 mm
Weight	60.73 g
Operating temperature	-30 to +75 °C
Execution	External
Method of attachment	Adhesive
Cable type	RG174/U
The cable length	3 m
Connector type	SMB(f)

## DRAWING



## VARIANTS

## AP-AGNSS-20B

Different connector variants or cable lengths are available on request.

## CONTACTS

SECTRON s.r.o. Josefa Šavla 1271/12  
709 00 Ostrava 9, Czech Republic

WWW.SECTRON.CZ  
Tel.: +420 556 621 021