



GPS/GLONASS ANTENNA

Antenna GPS/GLONASS Adhesive 20,
open end, RG174/8m

AP-AGNSS-20-08

SECTRON company offers a wide portfolio of GPS/GLONASS antennas with various versions differing in shape, level of gain and manner of attachment. SECTRON guarantees a compatible connection between an antenna and all antenna adaptors produced by SECTRON.

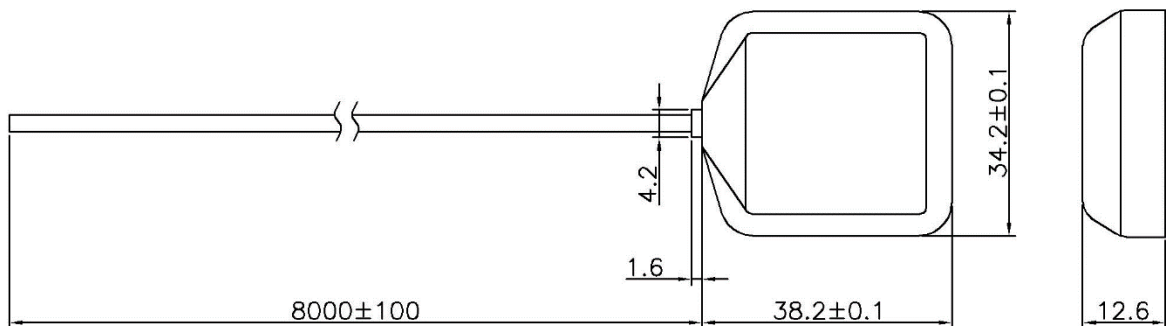


BENEFITS

- Low VSWR
- Easy Installation

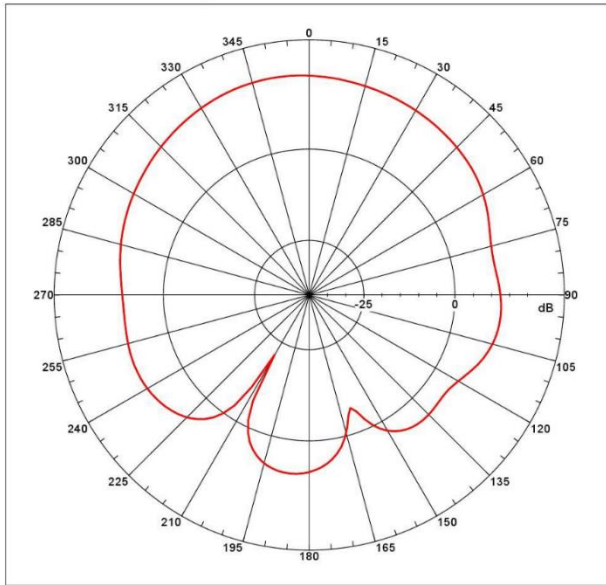
Technology	GPS/GLONASS
Frequency bands	1575.42/1602 MHz
Bandwidth	-
Gain	20 dBi
VSWR	<2.0: 1
Impedance	50 ohm
Directivity	Omnidirectional
Beam angle	H 360° V 30°
Polarization	R.H.C.P
Maximum input power	10W
Power voltage	1.6 V DC
Dimensions	38.2 x 34.2 x 12.6 mm
Weight	122.6 g
Operating temperature	-20 to +60 °C
Execution	External
Method of attachment	Adhesive
Cable type	RG174/U
The cable length	8 m
Connector type	-

DRAWING

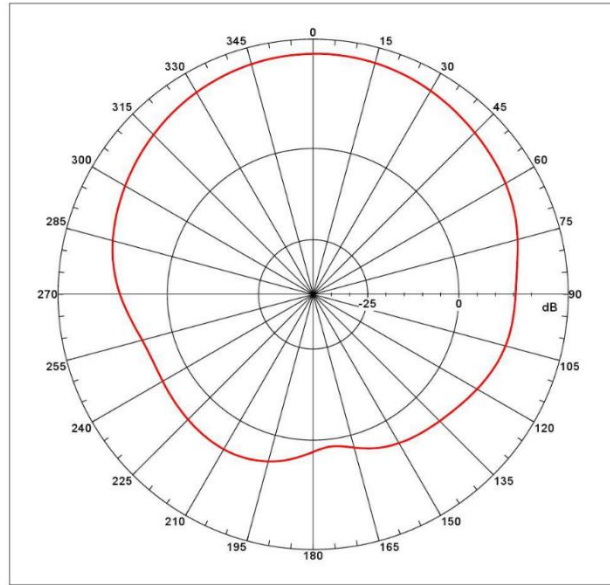


Far-field amplitude for 1 575,42 MHz

E - plane

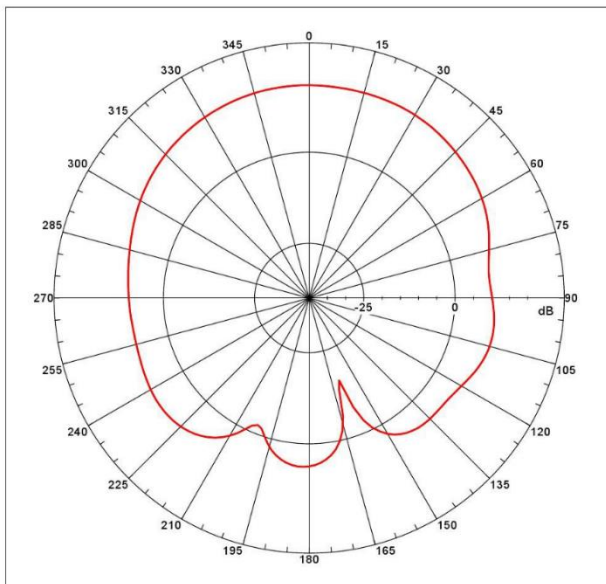


H - plane

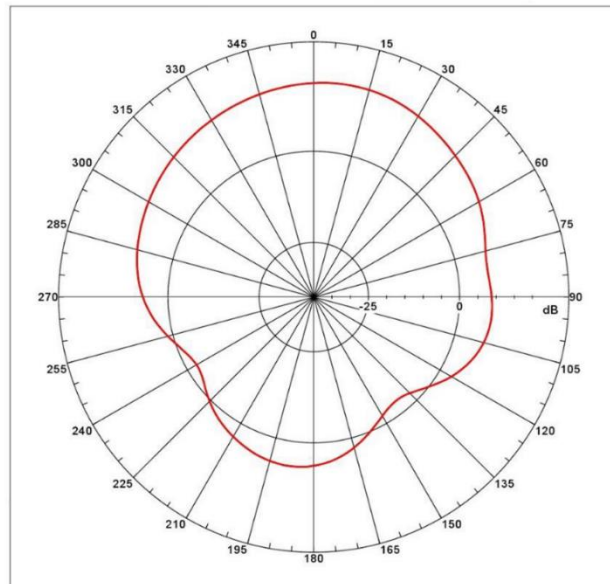


Far-field amplitude for 1 602 MHz

E - plane



H - plane



Different connector variants or cable lengths are available on request.

VARIANT	PART NUMBER

CONTACTS

SECTRON s.r.o. Josefa Šavla 1271/12
709 00 Ostrava 9, Czech Republic

WWW.SECTRON.CZ
Tel.: +420 556 621 021