



GPS ANTENNA

Antenna GPS Magnetic
EA-200, SMB(f)90° RG174/5m;
30 dBi

AP-A20BR-M5

SECTRON company offers a wide portfolio of GPS antennas with various versions differing in shape, level of gain and manner of attachment. SECTRON guarantees a compatible connection between an antenna and all antenna adaptors produced by SECTRON.

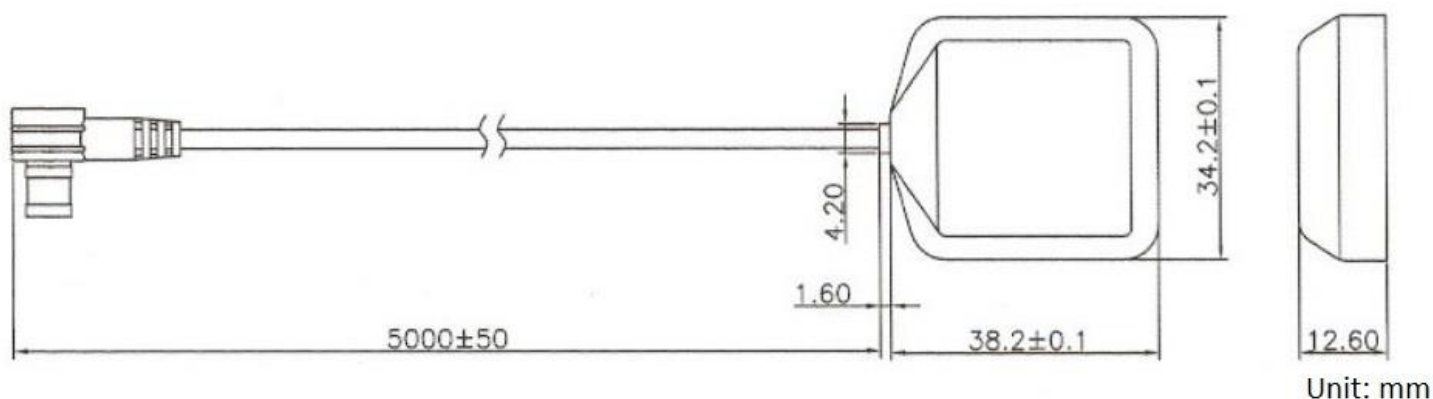
BENEFITS

- High performance GPS
- Easy installation
- Weather-resistant



Technology	GPS
Frequency bands	1575.42 MHz
Bandwidth	-
Gain	30 dBi
VSWR	<2.0:1
Impedance	50 Ohm
Directivity	Directional
Beam angle	H 360° V 30°
Polarization	R.H.C.P.
Maximum input power	10 W
Power voltage	2.5-5.5 V DC
Dimensions	38.2 x 34.2 x 12.6 mm
Weight	70.6 g
Operating temperature	-40 to +90 °C
Execution	External
Method of attachment	Magnetic
Cable type	RG174/U
The cable length	5 m
Connector type	SMB(f)90°

DRAWING



ALL VARIANTS

AP-A20BR-M5

Different connector variants or cable lengths are available on request.

CONTACTS