



GPS ANTENNA

Antenna GPS Magnetic
EA-200, SMB(f)90° RG174/5m;
10 dBi

AP-A20BR-M5-10DB

SECTRON company offers a wide portfolio of GPS antennas with various versions differing in shape, level of gain and manner of attachment. SECTRON guarantees a compatible connection between an antenna and all antenna adaptors produced by SECTRON.



BENEFITS

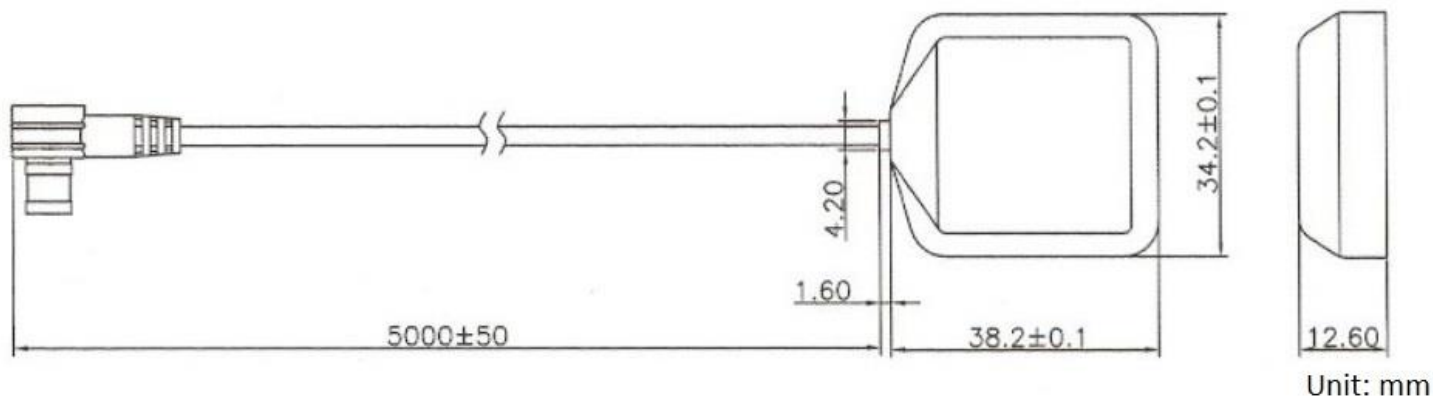
- Low VSWR
- Weather-resistant
- Easy installation

FEATURES

AP-A20BR-M5-10DB

| | |
|-----------------------|-----------------------|
| Technology | GPS |
| Frequency bands | 1575.42 MHz |
| Bandwidth | - |
| Gain | 10 dBi |
| VSWR | <2.0:1 |
| Impedance | 50 Ohm |
| Directivity | Directional |
| Beam angle | H 360° V 30° |
| Polarization | R.H.C.P. |
| Maximum input power | 10 W |
| Power voltage | 2.5-5.5 V DC |
| Dimensions | 38.2 x 34.2 x 12.6 mm |
| Weight | 88.83 g |
| Operating temperature | -40 to +90 °C |
| Execution | External |
| Method of attachment | Magnetic |
| Cable type | RG174/U |
| The cable length | 5 m |
| Connector type | SMB(f)90° |

DRAWING



ALL VARIANTS

AP-A20BR-M5-10DB

Different connector variants or cable lengths are available on request.

CONTACTS

SECTRON s.r.o. Josefa Šavla 1271/12
709 00 Ostrava 9, Czech Republic

WWW.SECTRON.CZ
Tel.: +420 556 621 021