



GPS ANTENNA

Antenna GPS Active Magnet Mount
EA-200, FAKRA C, RG174/5m, IP67

AP-A20A-M5

SECTRON company offers a wide portfolio of GPS antennas with various versions differing in shape, level of gain and manner of attachment. SECTRON guarantees a compatible connection between an antenna and all antenna adaptors produced by SECTRON.

BENEFITS

- High performance GPS
- Easy installation
- Weather-resistant

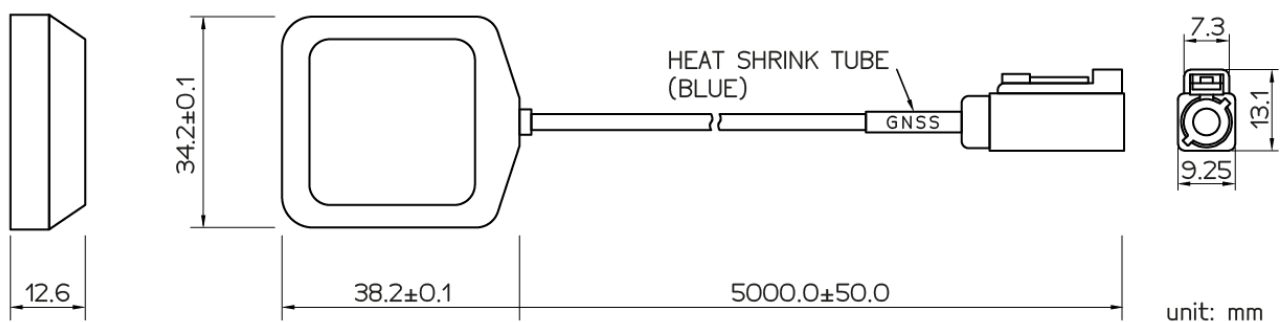


FEATURES

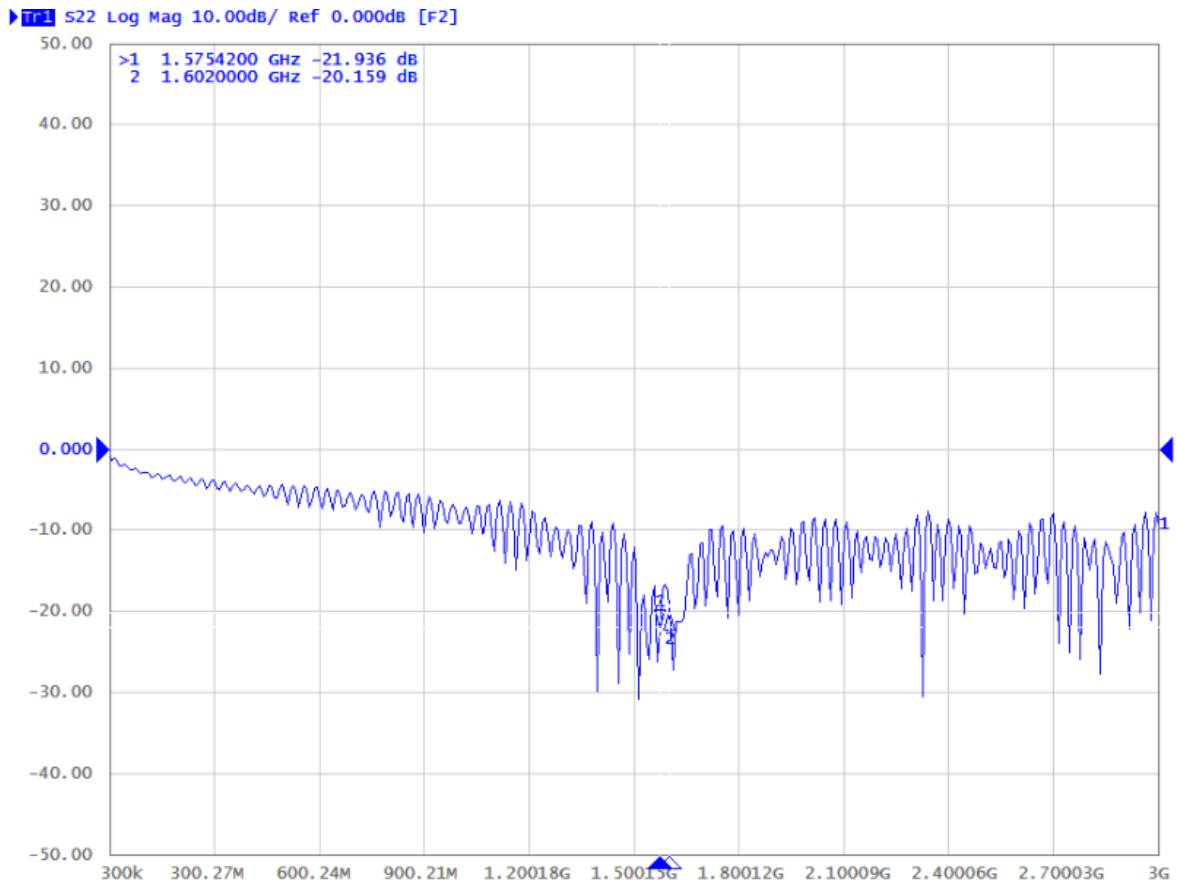
AP-A20A-M5

Technology	GPS
Frequency bands	1575.42 MHz
Bandwidth	-
Gain	30.6 dBi
VSWR	<1.3:1
Impedance	50 Ohm
Directivity	Directional
Beam angle	Via attached graphs
Polarization	R.H.C.P.
Maximum input power	10 W
Power voltage	2.2-5 VDC
Dimensions	38.2 x 34.2 x 12.6 mm
Weight	89.6 g
Operating temperature	-40 to +90 °C
Execution	External
Method of attachment	Magnet Mount
Cable type	RG174/U
The cable length	5 m
Connector type	FAKRA C
IP code	IP67

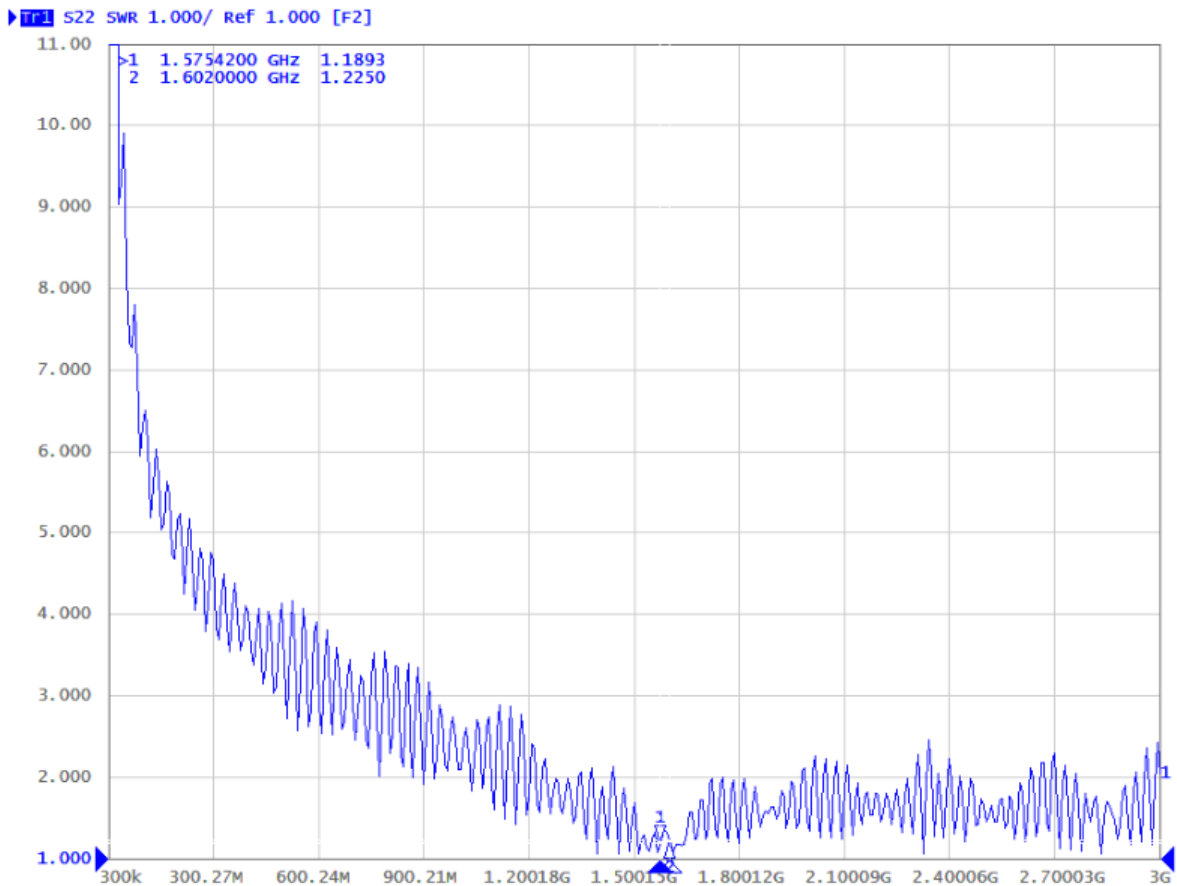
DRAWING



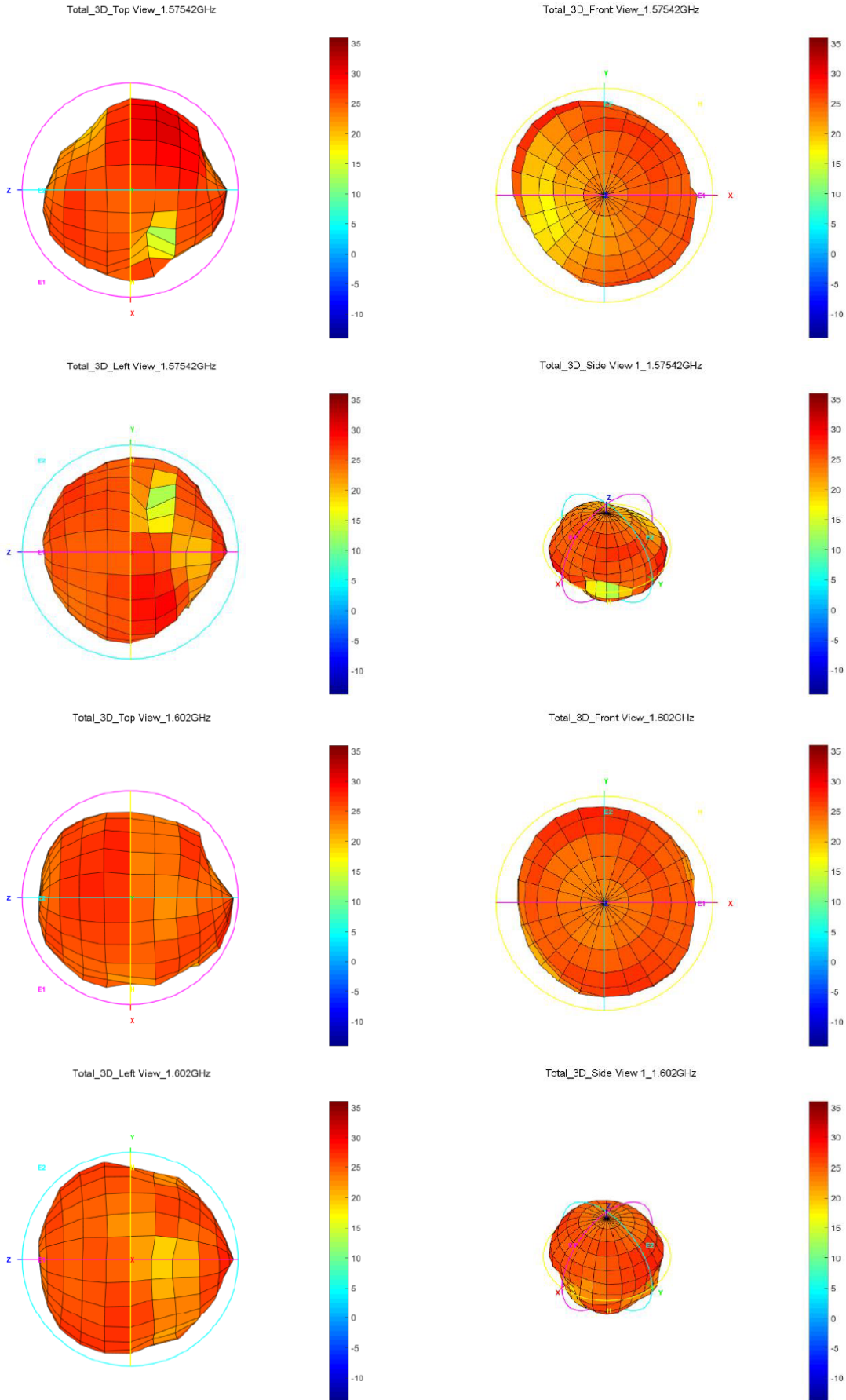
GSM - S_{11} - Return Loss [dB]



GSM - VSWR – Voltage standing wave ratio [-]



RADIATION PATTERN - 3D



SUMMARY

AP-A20A-M5

Frequency [MHz]	S_{11} [dB]	VSWR [-]	Gain
1575.42	-21.93	1.18	30.59
1602	-20.15	1.22	28.07

VARIANTS

AP-A20A-M5

Different connector variants or cable lengths are available on request.

CONTACTS

SECTRON s.r.o. Josefa Šavla 1271/12
709 00 Ostrava 9, Czech Republic

WWW.SECTRON.CZ
Tel.: +420 556 621 020