



Lightning arrester TNC(m)/TNC(f)

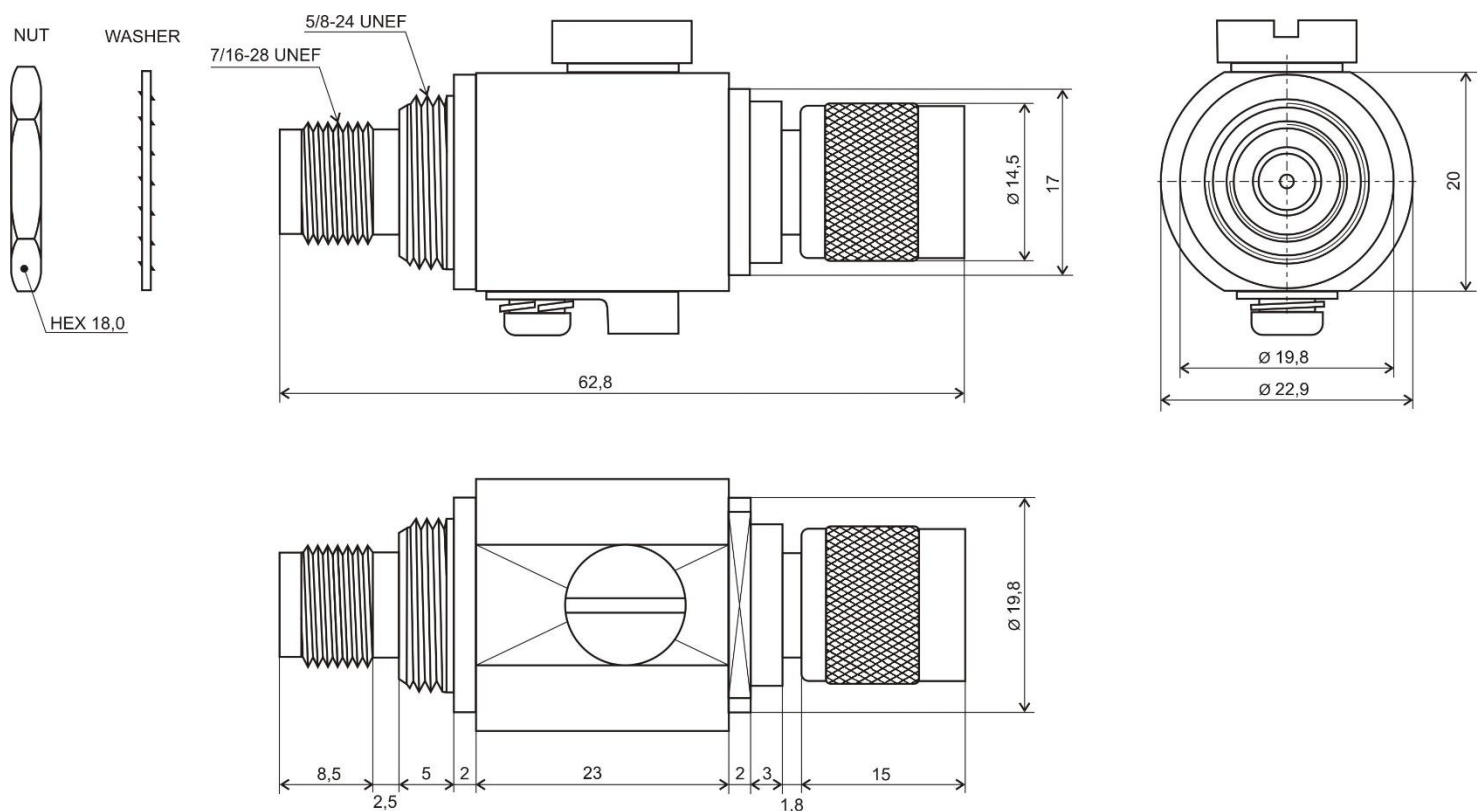
AO-LA-TMC

SECTRON company offers a wide portfolio of lightning arresters with various versions differing in connector types. SECTRON guarantees a compatible connection between an antenna and all antenna adaptors produced by SECTRON.



Frequency range	0 - 6 GHz
VSWR	1: 1.5
Insertion loss	0.8 dBi
Impedance	50 Ω
Insulation resistance	≥ 10000 MΩ
Max withstand current	20 A
Gas tube impulse breakdown voltage	≤ 700 V
Gas tube DC	230 V ± 20 %
RF power rating	15 W

DRAWING



UNIT: mm

CONTACTS