



## GSM/UMTS ANTENNA

Antenna UMTS/GSM OMNI,  
824-960 1770-2170 MHz,  
7dBi, N(f)

AO-AUMTS-OM59

SECTRON company offers wide portfolio GSM/UMTS antennas with various versions differing in shape, level of gain or attachment manner. SECTRON guarantees compatible connection between antenna and all antenna adaptors produced by SECTRON.

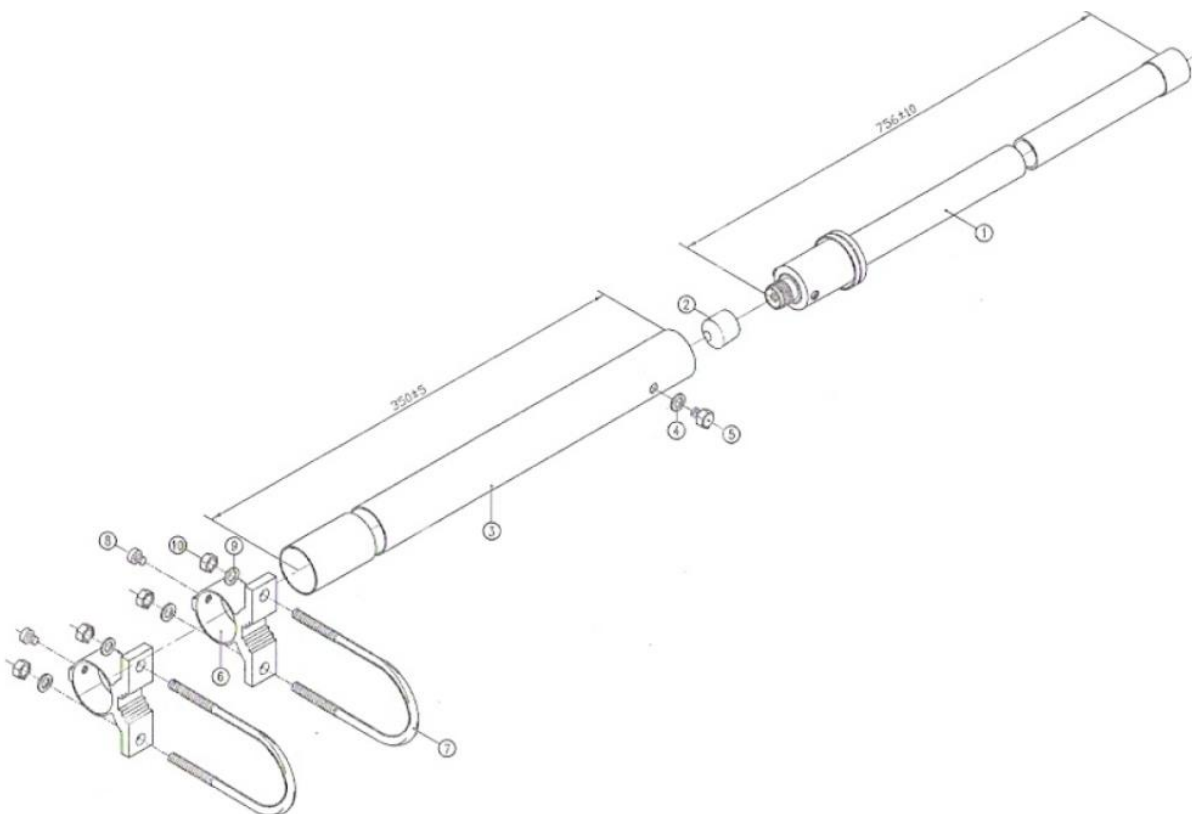


### BENEFITS

- Environmental resistance
- High gain
- High frequency range

Technology	GSM/UMTS
Frequency bands	800/900/1800/1900/2100 MHz
Bandwidth	-
Gain	7 dBi
VSWR	<2.0:1
Impedance	50 Ohm
Directivity	Omnidirectional
Beam angle	H-360°, V-30°
Polarization	Vertical
Maximum input power	10 W
Power voltage	-
Dimensions	∅20 x 1060 mm
Weight	615 g
Operating temperature	-30 to +90 °C
Execution	External
Method of attachment	Mounting
Cable type	-
The cable length	-
Connector type	N(f)
IP CODE	IP67

DRAWING



Different connector variants or cable lengths are available on request.

CONTACTS

---

SECTRON s.r.o. Josefa Šavla 1271/12  
709 00 Ostrava 9, Czech Republic

WWW.SECTRON.CZ  
Tel.: +420 556 621 021