



UMTS/GSM ANTENNA

Antenna UMTS/GSM Mounting 50,
5 dBi, SMA(m), RG195U/3m

AO-AUMTS-MI5S

SECTRON company offers a wide portfolio of UMTS/GSM antennas with various versions differing in shape, level of gain and manner of attachment. SECTRON guarantees a compatible connection between an antenna and all antenna adaptors produced by SECTRON.

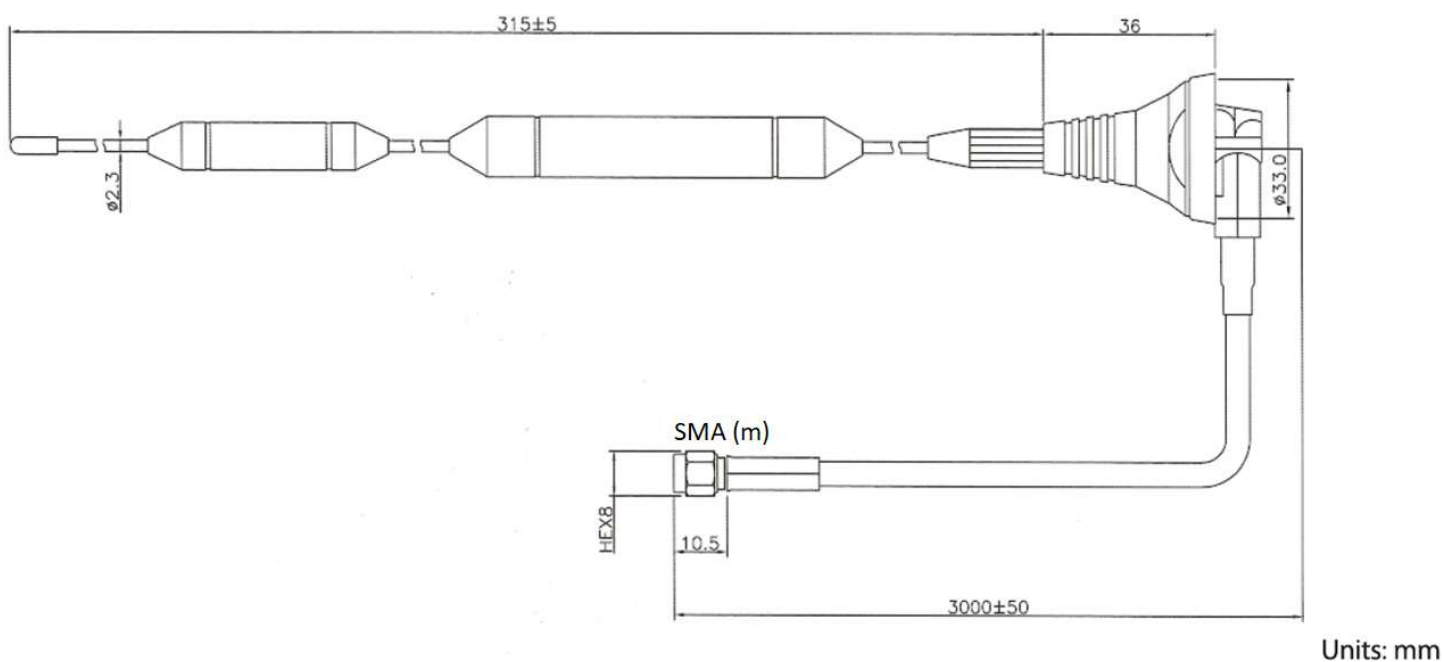


BENEFITS

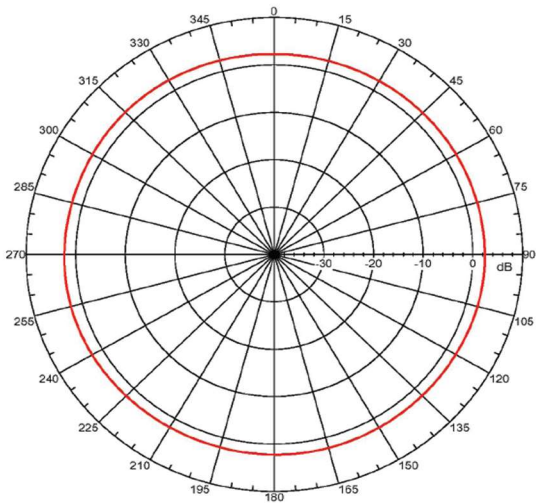
- Low VSWR
- Omnidirectional - suitable for moving devices

Technology	UMTS/GSM
Frequency bands	900/1800/1900/2100 MHz
Bandwidth	-
Gain	5 dBi
VSWR	<2.0:1
Impedance	50 Ohm
Directivity	Omnidirectional
Beam angle	H 360° V 30°
Polarization	Linear
Maximum input power	10 W
Power voltage	-
Dimensions	351 x Ø 33 mm
Weight	183.5 g
Operating temperature	-30°C to +80°C
Execution	External
Method of attachment	Mounting
Cable type	RG195/U
The cable length	3 m
Connector type	SMA(m)

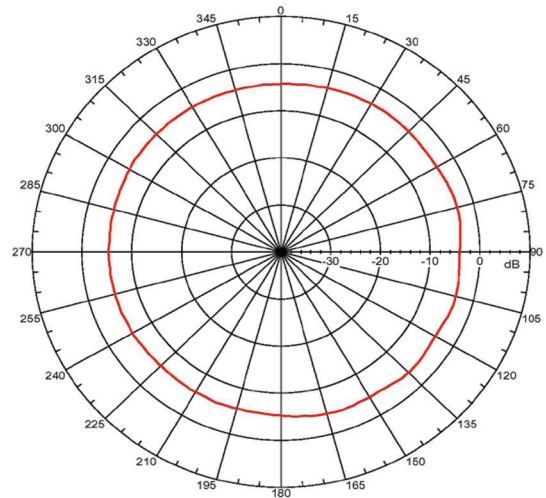
DRAWING



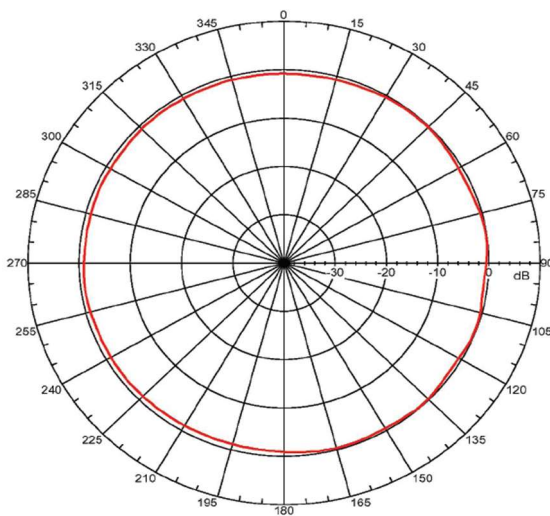
900 MHz



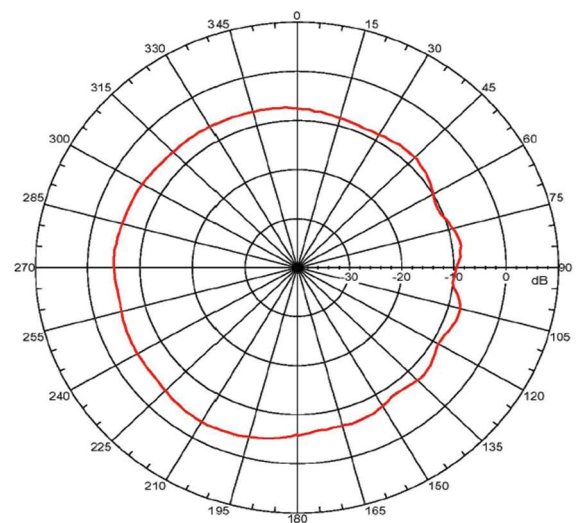
1800 MHz



1900MHz



2100MHz



ALL VARIANTS

AO-AUMTS-MI5S

Different connector variants or cable lengths are available on request.

CONTACTS

SECTRON s.r.o. Josefa Šavla 1271/12
709 00 Ostrava 9, Czech Republic

WWW.SECTRON.CZ
Tel.: +420 556 621 021