



UMTS/GSM ANTENNA

Antenna UMTS/GSM Mounting 50,
5 dBi, SMA(m), RG174/3m

AO-AUMTS-MI5S-174

SECTRON company offers a wide portfolio of UMTS/GSM antennas with various versions differing in shape, level of gain and manner of attachment. SECTRON guarantees a compatible connection between an antenna and all antenna adaptors produced by SECTRON.

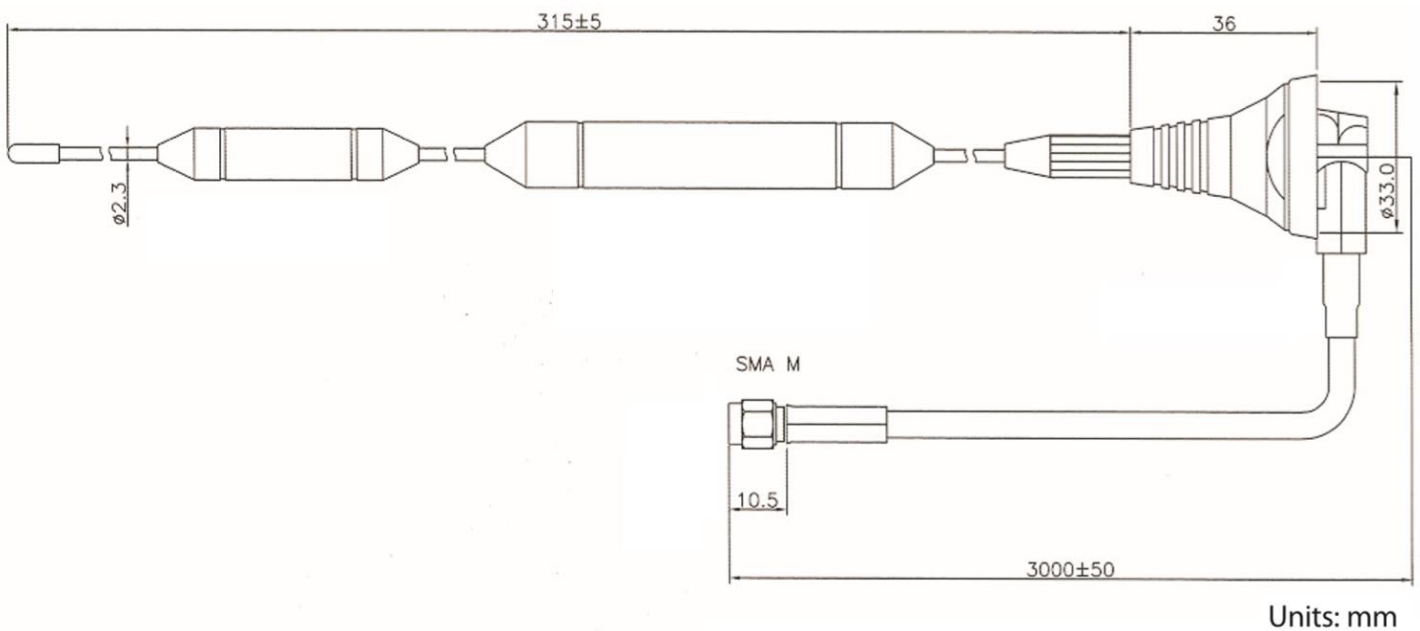


BENEFITS

- Low VSWR
- High gain

Technology	UTMS/GSM
Frequency bands	1800/1900/2100 MHz
Bandwidth	-
Gain	5 dBi
VSWR	<2.0:1
Impedance	50 Ohm
Directivity	Omnidirectional
Beam angle	H 360° V 180°
Polarization	Linear
Maximum input power	10 W
Power voltage	-
Dimensions	351 x Ø12.29 mm
Weight	109 g
Operating temperature	-20 to +60 °C
Execution	External
Method of attachment	Mounting
Cable type	RG174/U
The cable length	3 m
Connector type	SMA(m)

DRAWING



Different connector variants or cable lengths are available on request.

CONTACTS

SECTRON s.r.o. Josefa Šavla 1271/12
709 00 Ostrava 9, Czech Republic

WWW.SECTRON.CZ
Tel.: +420 556 621 021