



UMTS/GSM ANTENNA

Antenna UMTS/GSM Magnetic U30,
3 dBi, MCX(m) 90°, RG174, 3 m

AO-AUMTS-M3MA

SECTRON company offers a wide portfolio of GSM/GSM antennas with various versions differing in shape, level of gain and manner of attachment. SECTRON guarantees a compatible connection between an antenna and all antenna adaptors produced by SECTRON.



BENEFITS

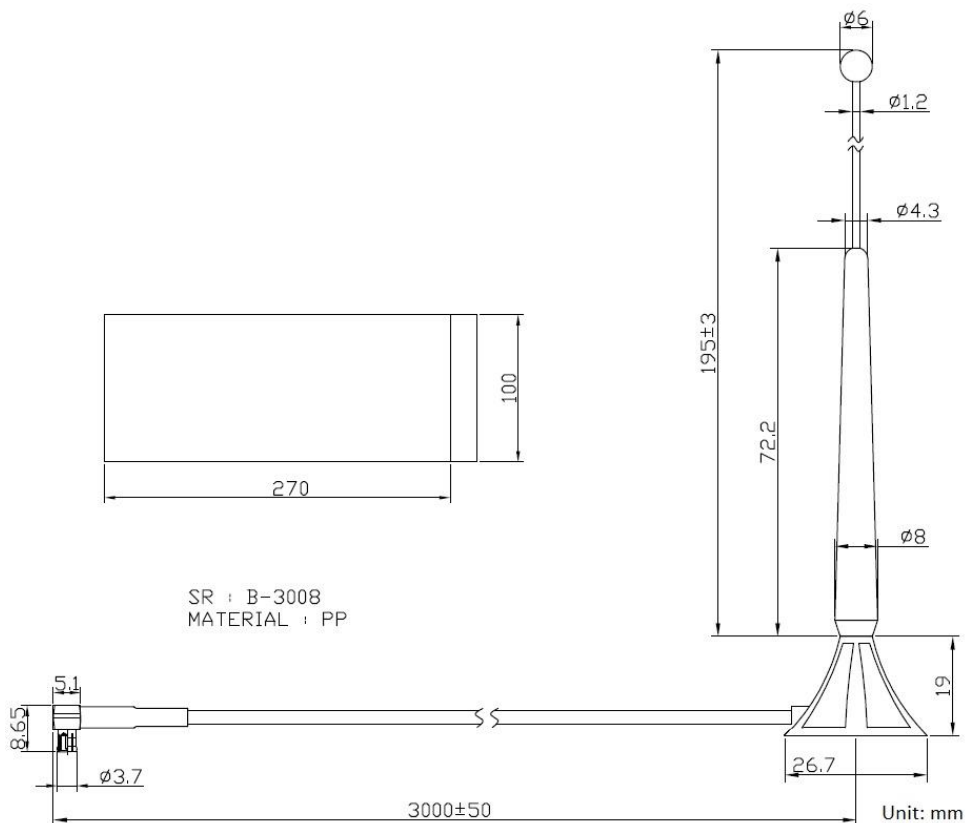
- Easy installation
- Low VSWR
- Adjustable angle

FEATURES

AO-AUMTS-M3MA

Technology	UMTS/GSM
Frequency bands	900/1800/2100 MHz
Bandwidth	-
Gain	3 dBi
VSWR	<2.0:1
Impedance	50 Ohm
Directivity	Omnidirectional
Beam angle	H 360° V 30°
Polarization	Linear
Maximum input power	10 W
Power voltage	-
Dimensions	26.6 x 91.2 mm
Weight	46.32 g
Operating temperature	-30 to +90 °C
Execution	External
Method of attachment	Magnetic
Cable type	RG 174/U
The cable length	3 m
Connector type	MCX90°(m)
Certification	ISO 9001, ISO 14001

DRAWING



Different connector variants or cable lengths are available on request.

CONTACTS

SECTRON s.r.o. Josefa Šavla 1271/12
709 00 Ostrava 9, Czech Republic

WWW.SECTRON.CZ
Tel.: +420 556 621 021