



## GSM/UMTS ANTENNA

Antenna GSM/UMTS Connector  
Mount G410, 90°/180°, 3 dBi,  
SMA(m)

AO-AUMTS-G410S

SECTRON company offers a wide portfolio of GSM/UMTS antennas with various versions differing in shape, level of gain and manner of attachment. SECTRON guarantees a compatible connection between an antenna and all antenna adaptors produced by SECTRON.

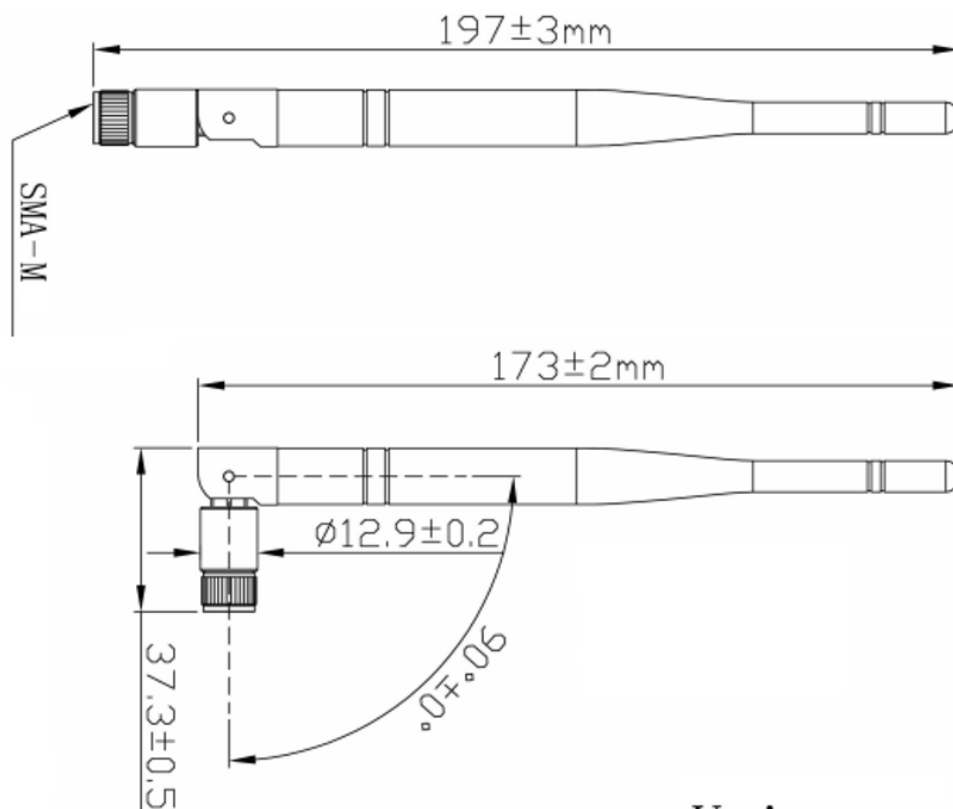


### BENEFITS

- No cable required
- Compact design
- Low VSWR

|                       |   |
|-----------------------|---|
| Technology            | GSM/UMTS  |
| Frequency bands       | 800/900/1800/2100 MHz                                 |
| Bandwidth             | -   |
| Gain                  | 3 dBi   |
| VSWR                  | <2:1  |
| Impedance             | 50 Ohm  |
| Directivity           | Omnidirectional                                       |
| Beam angle            | H 360° V 75°  |
| Polarization          | Linear  |
| Maximum input power   | 10 W  |
| Power voltage         | -   |
| Dimensions            | 90°: 173 x 37.3 mm; 180°: $\varnothing$ 12.9 x 197 mm |
| Weight                | 25.14 g   |
| Operating temperature | -40 to +85 °C   |
| Execution             | External  |
| Method of attachment  | Connector Mount                                       |
| Cable type            | -   |
| The cable length      | -   |
| Connector type        | SMA(m)  |

DRAWING

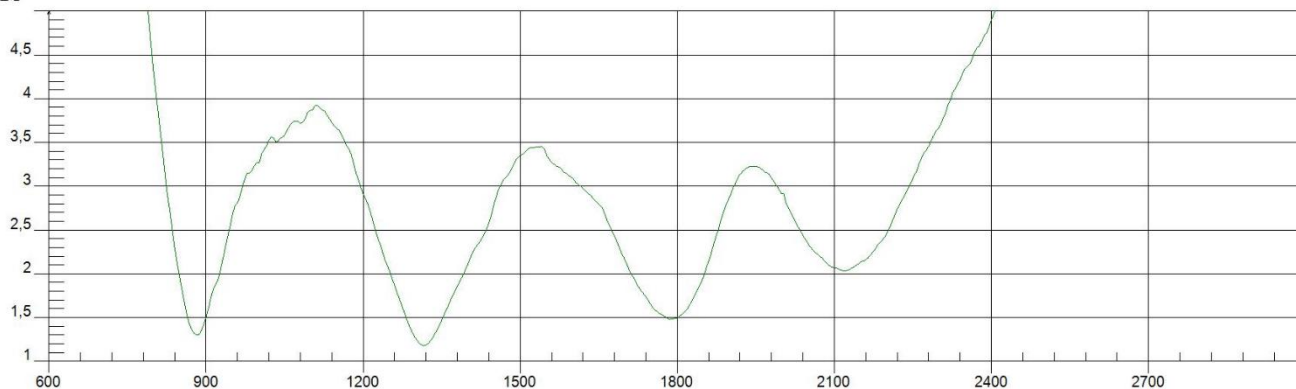


Unit: mm

**VSWR**

AO-AUMTS-G410S

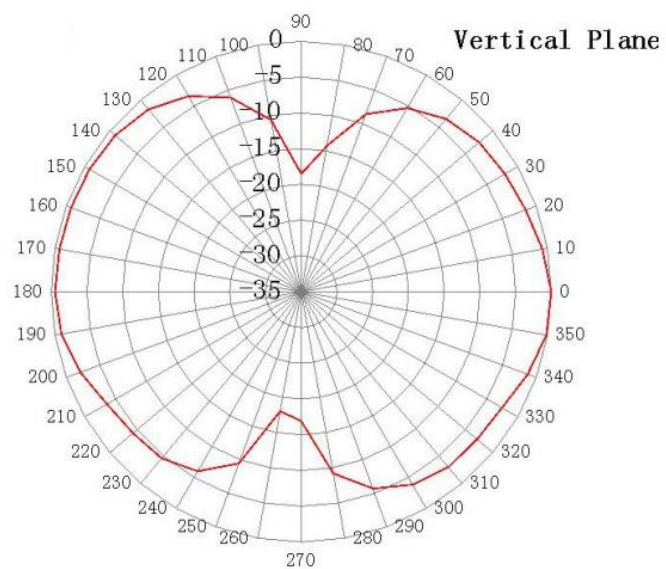
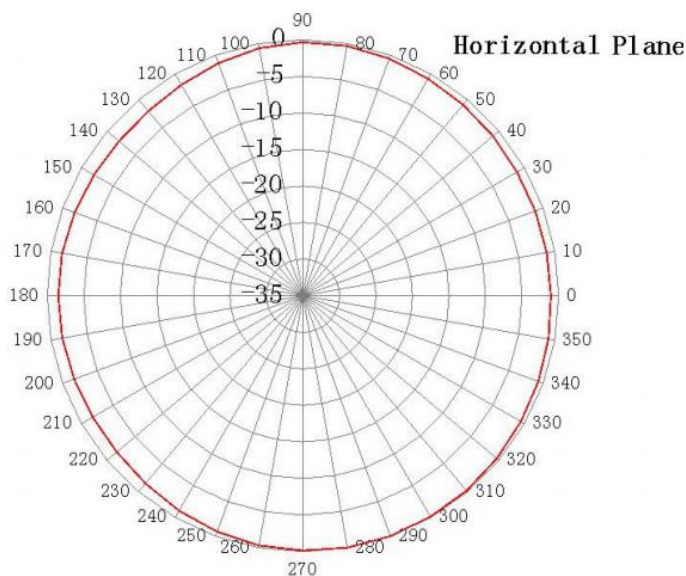
VSWR



Frequency(600 - 3000 MHz)

Resolution: 521

Cal: ON

**RADIATION PATTERN 1800 MHz****VARIANTS**

Different connector variants or cable lengths are available on request.

**CONTACTS**

SECTRON s.r.o. Josefa Šavla 1271/12  
709 00 Ostrava 9, Czech Republic

WWW.SECTRON.CZ  
Tel.: +420 556 621 020