



## GSM/UMTS ANTENNA

Antenna GSM/UMTS 410

Stick 90°/180°, 3 dBi, SMA(m)

AO-AUMTS-G410S

SECTRON company offers a wide portfolio of GSM/UMTS antennas with various versions differing in shape, level of gain and manner of attachment. SECTRON guarantees a compatible connection between an antenna and all antenna adaptors produced by SECTRON.



### BENEFITS

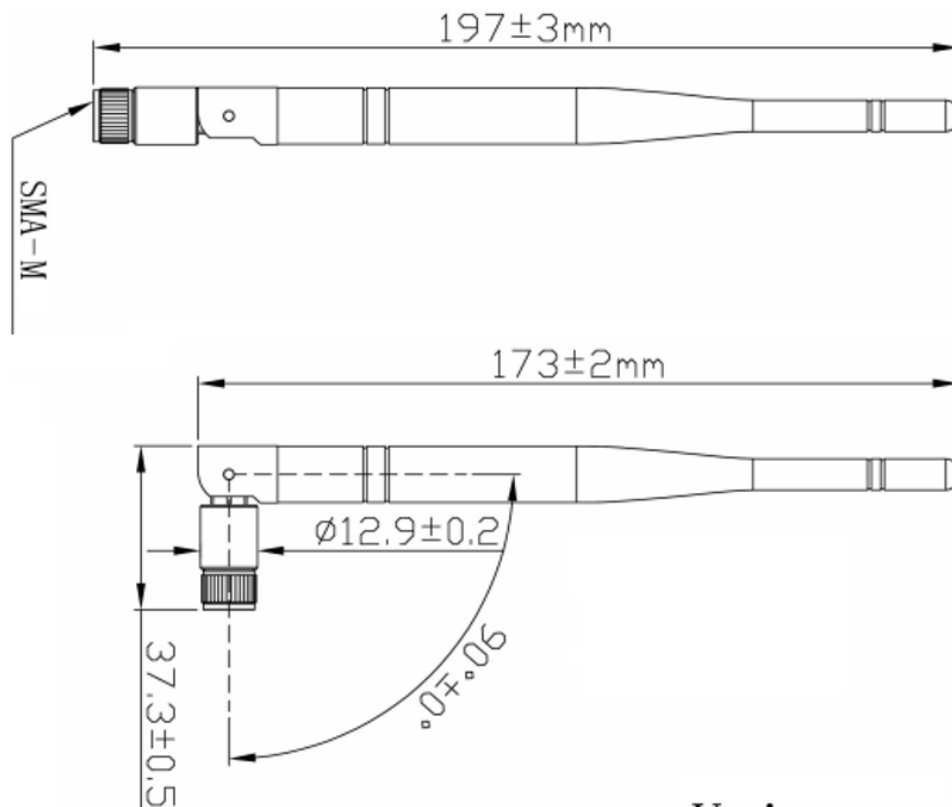
- No cable required
- Compact design
- Low VSWR

## FEATURES

AO-AUMTS – G410S

Technology	GSM/UMTS
Frequency bands	800/900/1800/2100 MHz
Bandwidth	-
Gain	3 dBi
VSWR	<2:1
Impedance	50 Ohm
Directivity	Omnidirectional
Beam angle	H 360° V 75°
Polarization	Linear
Maximum input power	10 W
Power voltage	-
Dimensions	90°: 173 x 37.3 mm; 180°: $\varnothing$ 12.9 x 197 mm
Weight	25.14 g
Operating temperature	-40 to +85 °C
Execution	External
Method of attachment	Screw
Cable type	-
The cable length	-
Connector type	SMA(m)

## DRAWING

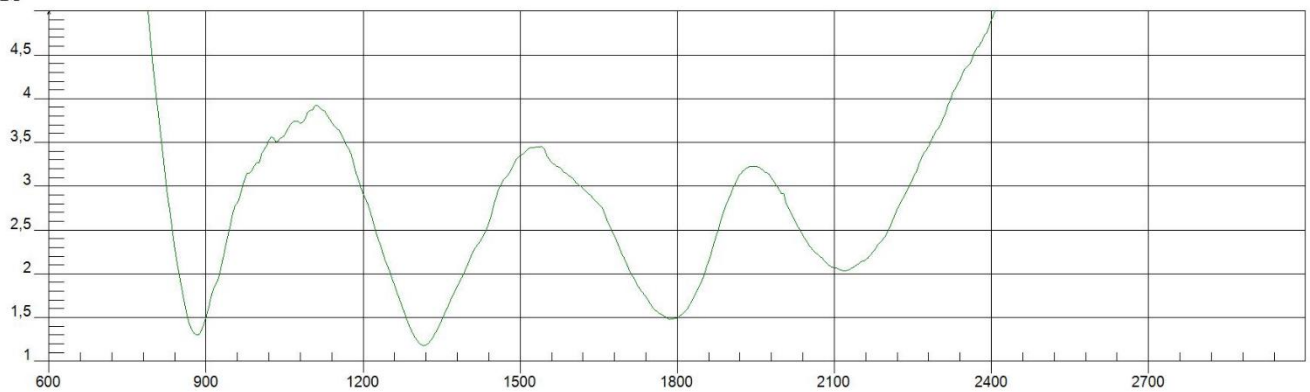


Unit: mm

**VSWR**

AO-AUMTS-G410S

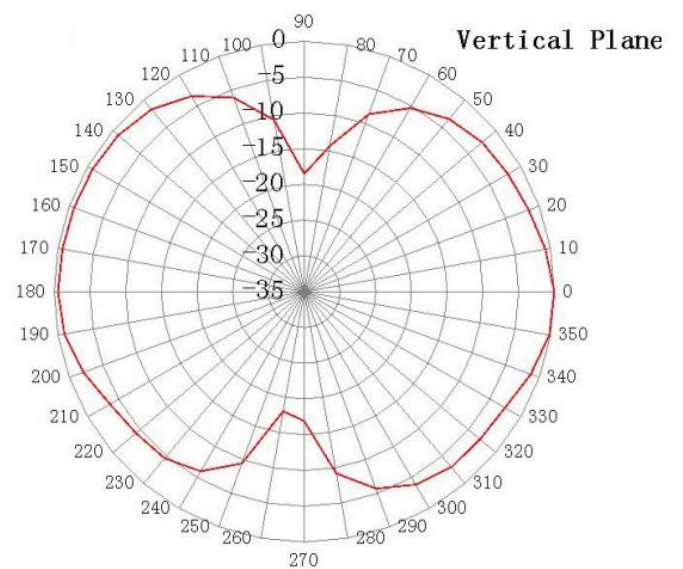
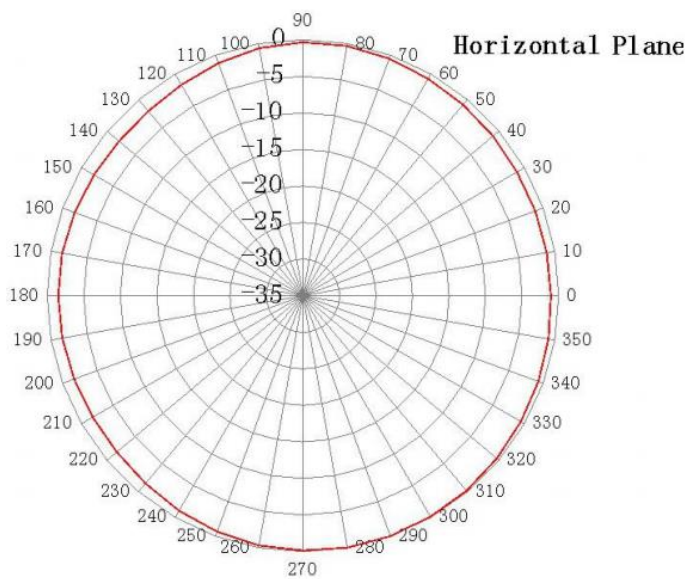
VSWR



Frequency(600 - 3000 MHz)

Resolution: 521

Cal: ON

**RADIATION PATTERN 1800 MHz****VARIANTS**

Different connector variants or cable lengths are available on request.

**CONTACTS**

SECTRON s.r.o. Josefa Šavla 1271/12  
709 00 Ostrava 9, Czech Republic

WWW.SECTRON.CZ  
Tel.: +420 556 621 021