



UMTS ANTENNA

Antenna UMTS/GSM
Mounting 008, SMA(m),
RG174/3m

AO-AUMTS-G008S

SECTRON company offers a wide portfolio of UMTS/GSM antennas with various versions differing in shape, level of gain and manner of attachment. SECTRON guarantees a compatible connection between an antenna and all antenna adaptors produced by SECTRON.

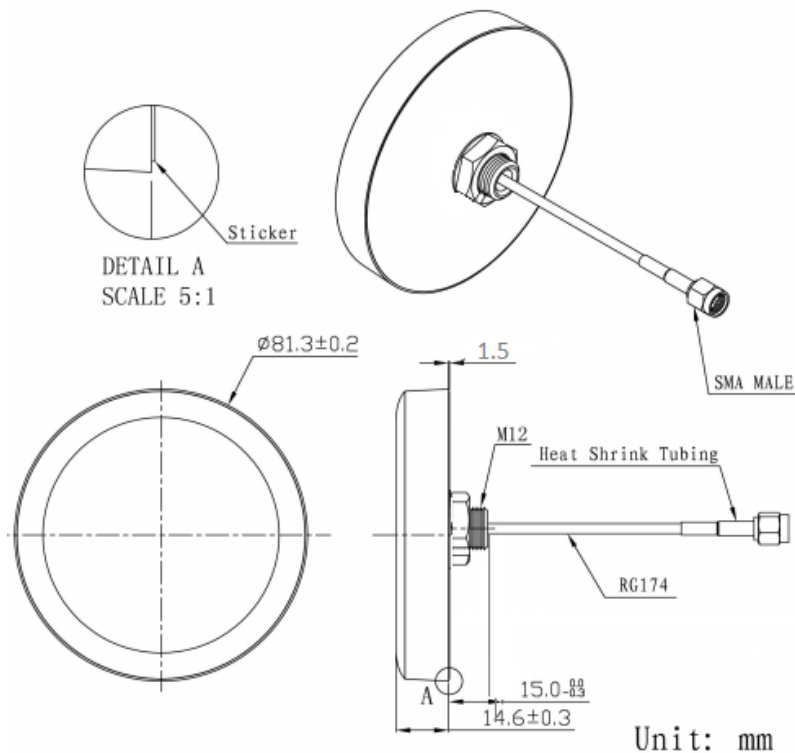


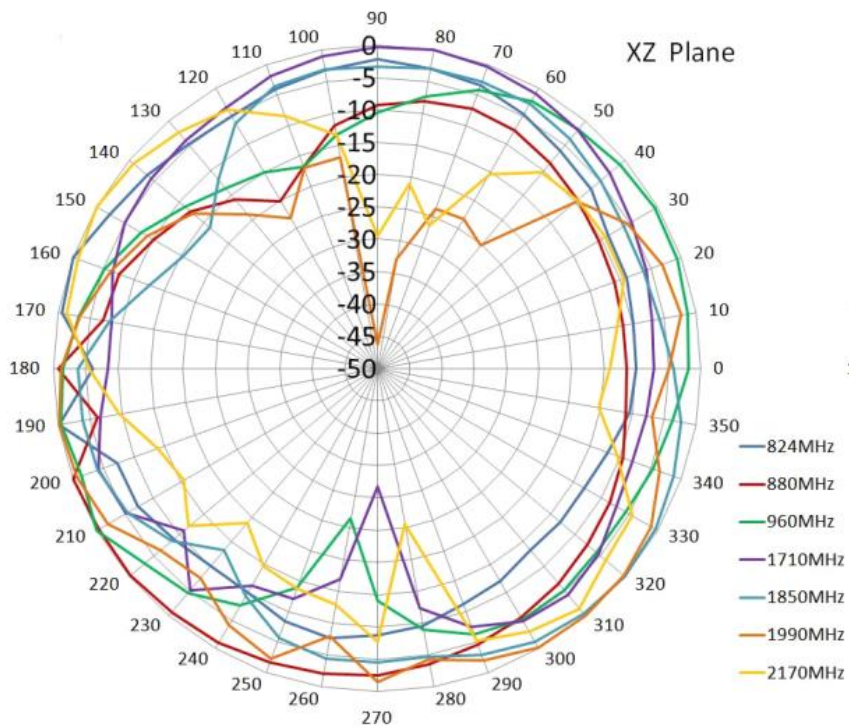
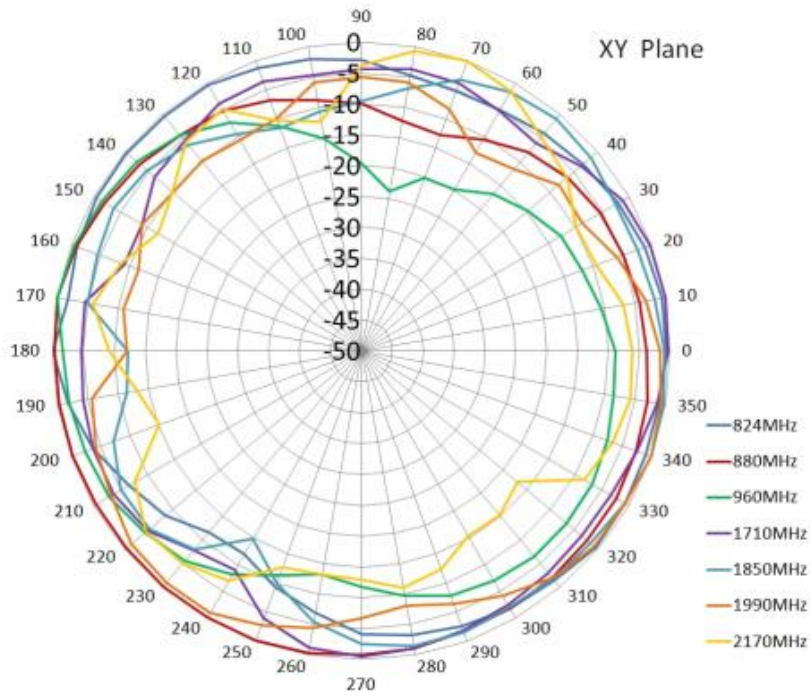
BENEFITS

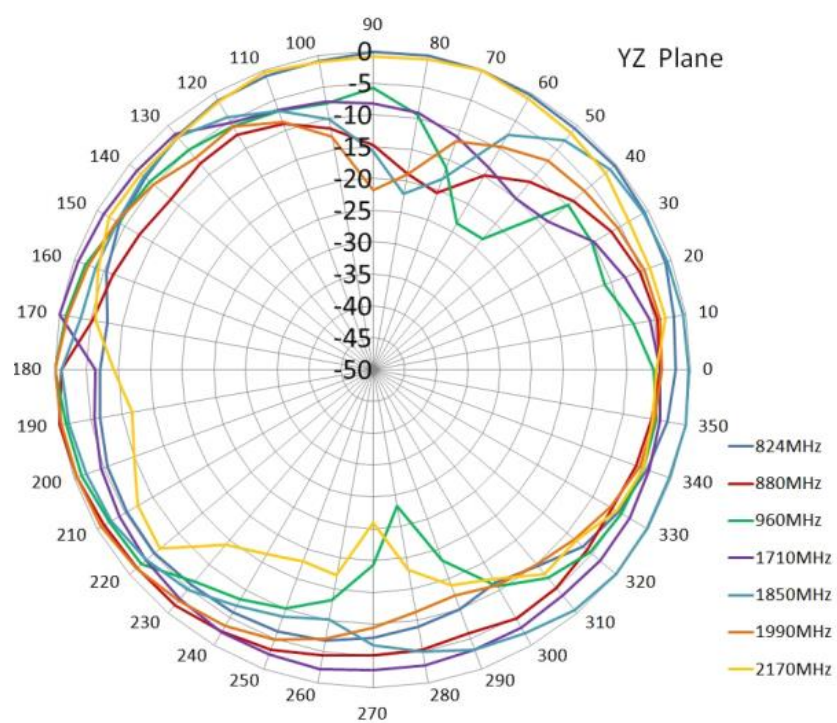
- Environmental resistance
- Omnidirectional - suitable for moving devices

Technology	GSM/UMTS
Frequency bands	800/900/1700/1800/1900/2100 MHz
Bandwidth	-
Gain	2 dBi
VSWR	<2.5:1
Impedance	50 Ohm
Directivity	Omnidirectional
Beam angle	H 360° V 30°
Polarization	Vertical
Maximum input power	10W
Power voltage	-
Dimensions	81.3 x 14.6 mm
Weight	90.93 g
Operating temperature	-40°C to +85 °C
Execution	External
Method of attachment	Mounting
Cable type	RG174 / U
The cable length	3 m
Connector type	SMA(m)

DRAWING







CONTACTS

SECTRON s.r.o. Josefa Šavla 1271/12
709 00 Ostrava 9, Czech Republic

WWW.SECTRON.CZ
Tel.: +420 556 621 021