



LTE MIMO Antenna

Antenna LTE MIMO Screw Mount 046LM,
2.5 dBi, 2x RG174/3m, 2x SMA(m), IP67

AO-ALTE-G046LMS

SECTRON company offers a wide portfolio of LTE MIMO antennas with various versions differing in shape, level of gain and manner of attachment. SECTRON guarantees a compatible connection between an antenna and all antenna adaptors produced by SECTRON.



BENEFITS

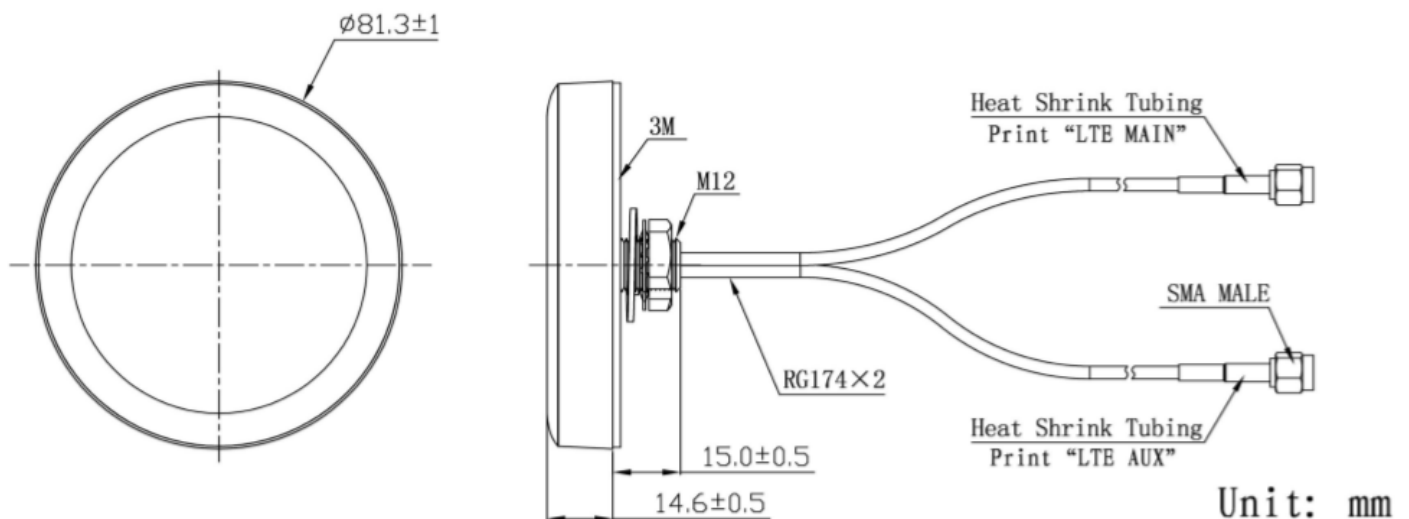
- Low VSWR
- Anti-vandal design
- IP67
- MIMO

FEATURES

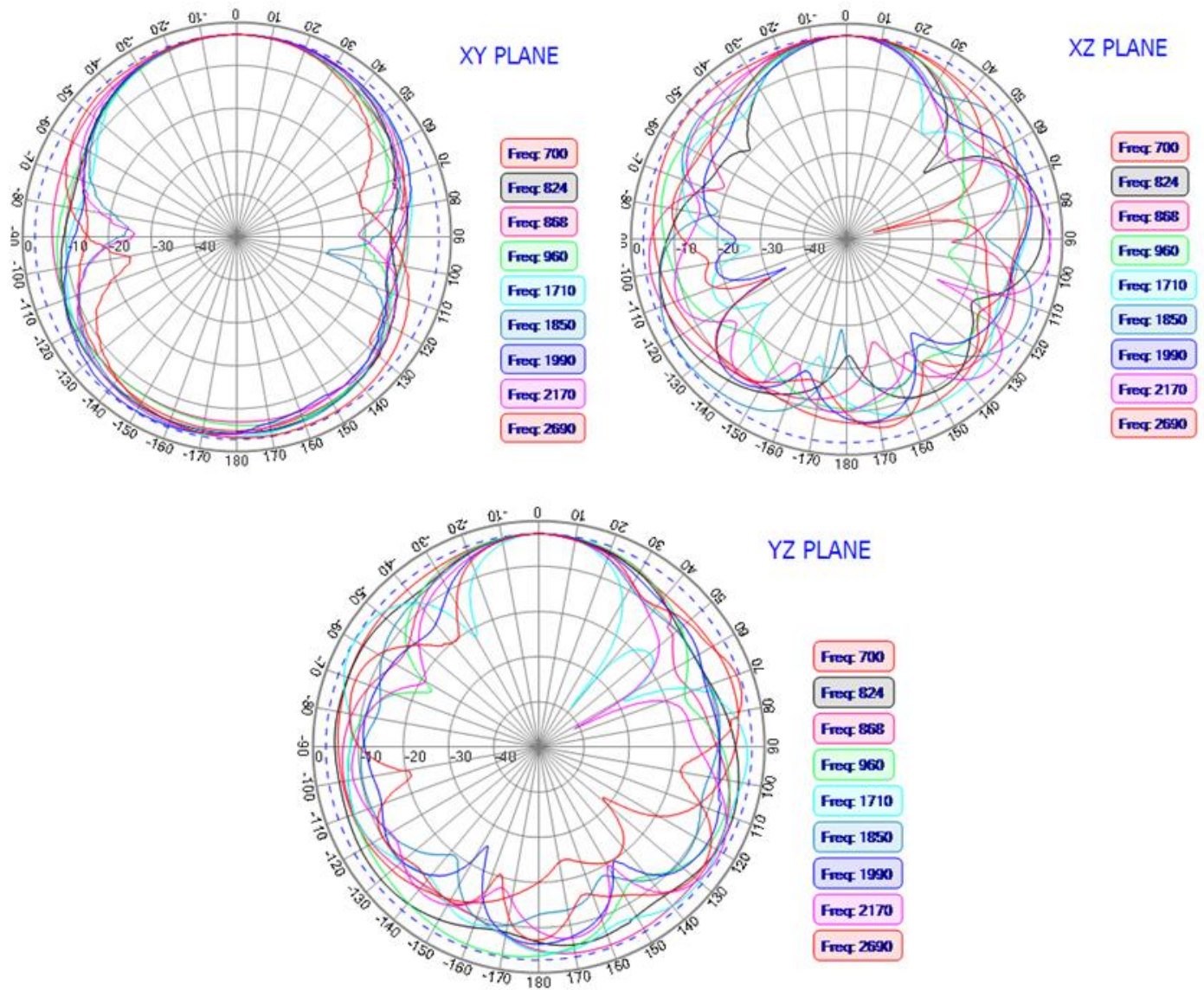
AO-ALTE-G046LMS

Technology	GSM/UMTS/LTE
Frequency bands	698-960 / 1710-2690 MHz
Bandwidth	-
Gain	2.5 dBi
VSWR	< 3:1
Impedance	50 Ohm
Directivity	Omnidirectional
Beam angle	Attached graphs bellow
Polarization	Linear
Maximum input power	10 W
Power voltage	-
Dimensions	Ø 81.3 x 29.6 mm
Weight	142.27 g
Operating temperature	-40°C~+85 °C
Execution	External
Method of attachment	Screw mount
Cable type	2x RG174/U
The cable length	3 m
Connector type	2x SMA(m)
Certification	RoHS
IP code	IP67
Material	ABS

DRAWING

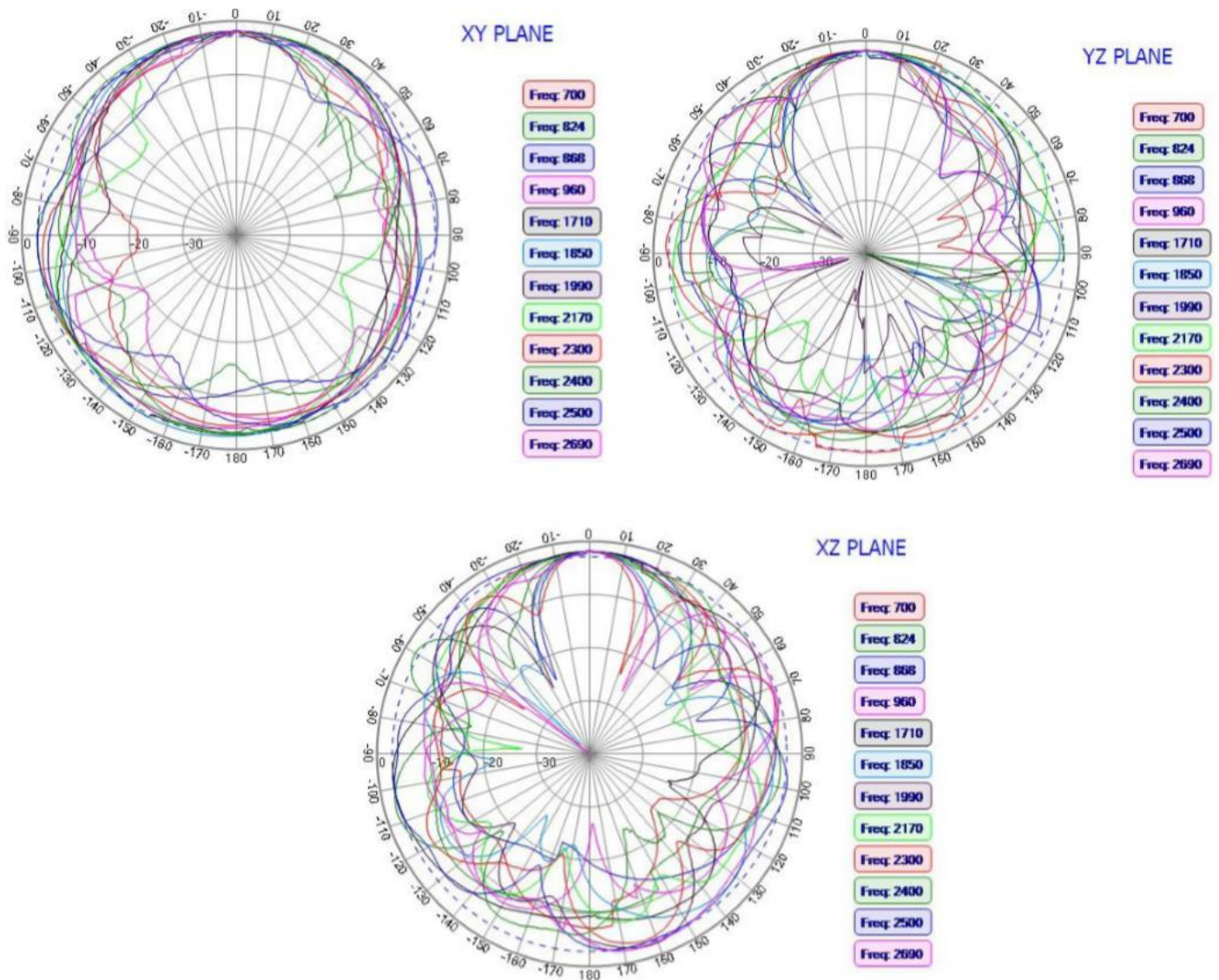


RADIATION PATTERN – MAIN ANTENNA

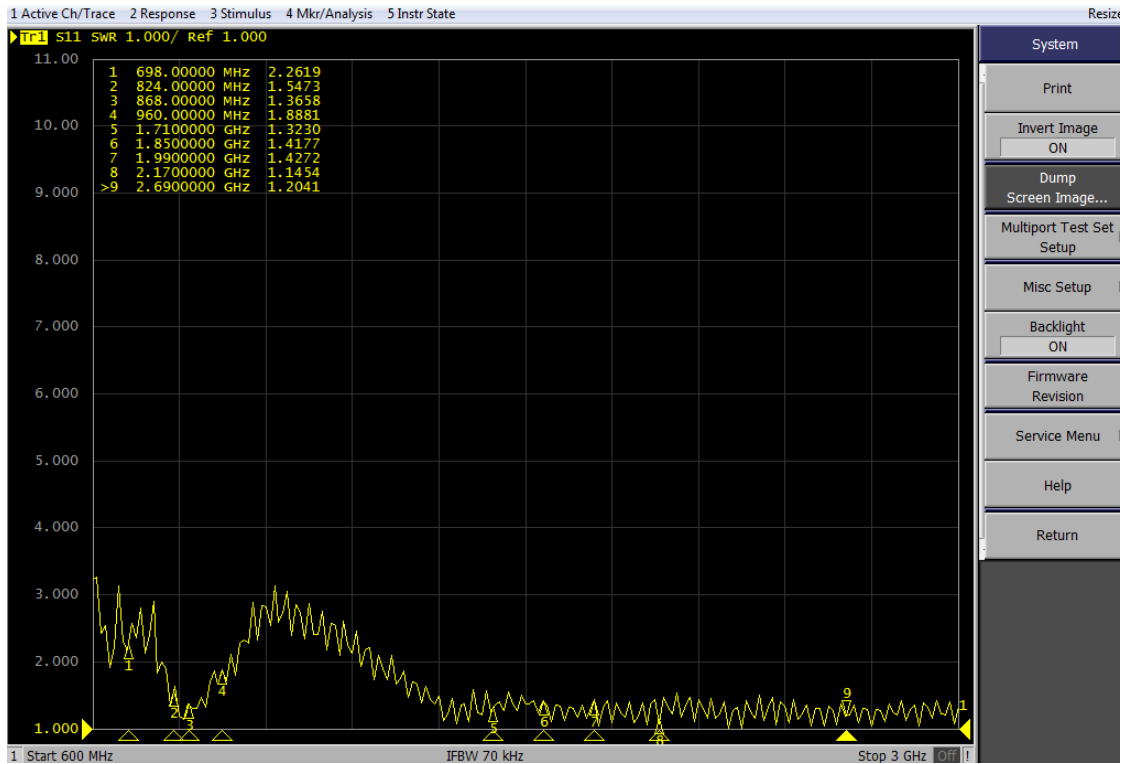


LTE MAIN		LTE AUX	
Frequency [MHz]	Gain [dBi]	Frequency [MHz]	Gain [dBi]
700	1.4	700	1.5
824	2.79	824	0.74
868	2.87	868	2.1
960	-0.71	960	0.55
1710	1.18	1710	0.51
1850	-0.26	1850	1.39
1990	1.1	1990	-0.23
2170	2.9	2170	-0.81
2690	1.07	2690	-0.62

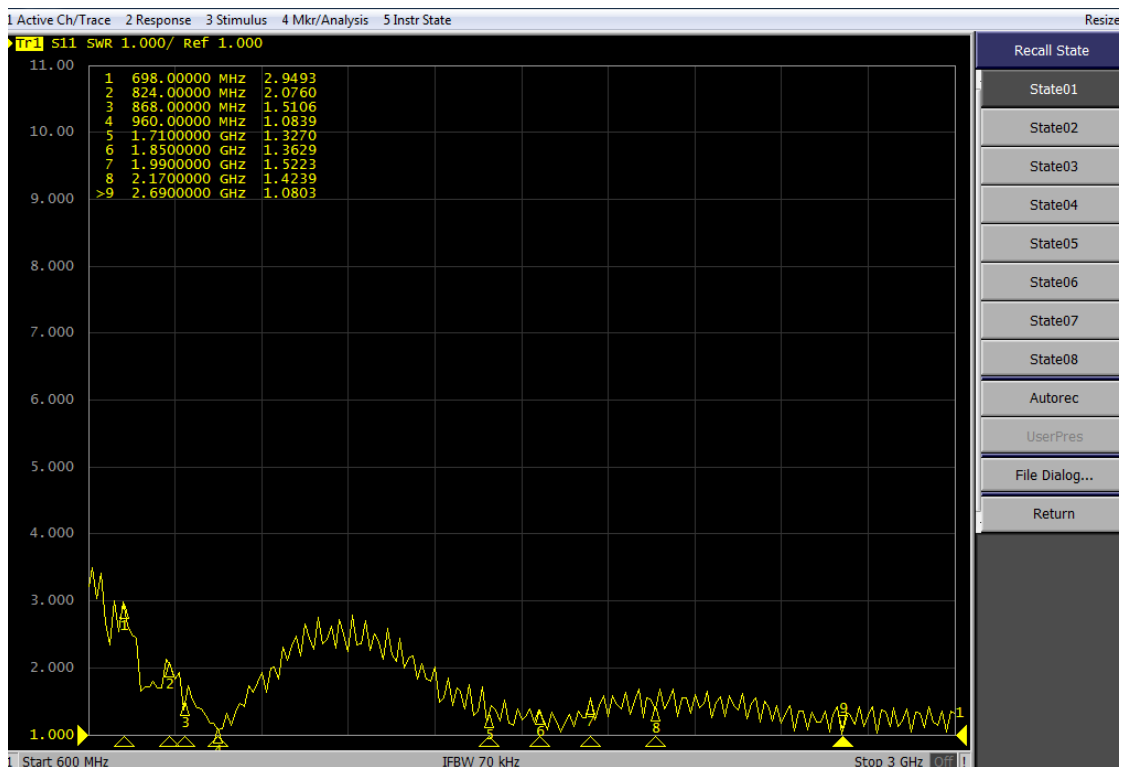
RADIATION PATTERN – AUX ANTENNA



VSWR - STANDING WAVE RATIO [-] – MAIN ANTENNA



VSWR - STANDING WAVE RATIO [-] – AUX ANTENNA



VARIANTS

Different connector variants or cable lengths are available on request

CONTACTS

SECTRON s.r.o. Josefa Šavla 1271/12
709 00 Ostrava 9, Czech Republic

WWW.SECTRON.CZ
Tel.: +420 556 621 020