



LTE ANTENNA

Antenna GSM/UMTS/LTE
Adhesive 5 dBi, SMA(m),
RG58/3m

AO-ALTE-SA5S

SECTRON company offers a wide portfolio of GSM/UMTS/LTE antennas with various versions differing in shape, level of gain and manner of attachment. SECTRON guarantees a compatible connection between an antenna and all antenna adaptors produced by SECTRON.

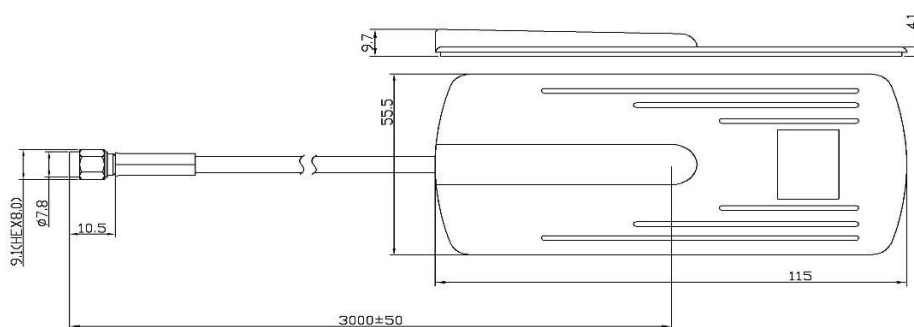


BENEFITS

- High frequency range
- Easy installation
- Omnidirectional - suitable for moving devices

Technology	GSM/UMTS/LTE
Frequency bands	800/900/1700/1800/1900/2100/2400/2500/2600/2700 MHz
Bandwidth	-
Gain	3-5 dBi
VSWR	<2.0:1
Impedance	50 Ohm
Directivity	Omnidirectional
Beam angle	H 360° V 30°
Polarization	Linear
Maximum input power	10 W
Power voltage	-
Dimensions	115 x 56 x 9.7 mm
Weight	129.42 g
Operating temperature	-30 to +80 °C
Execution	External
Method of attachment	Adhesive
Cable type	RG58
The cable length	3 m
Connector type	SMA(m)

DRAWING



CONTACTS

SECTRON s.r.o. Josefa Šavla 1271/12
709 00 Ostrava 9, Czech Republic

WWW.SECTRON.CZ
Tel.: +420 556 621 021