



LTE ANTENNA

Antenna LTE OMNI Pole Mount OM56, 690-2700 MHz, 5 dBi, N(f)

AO-ALTE-OM56

SECTRON company offers a wide portfolio of GSM/UMTS/LTE antennas with various versions differing in shape, level of gain and manner of attachment. SECTRON guarantees a compatible connection between an antenna and all antenna adaptors produced by SECTRON.

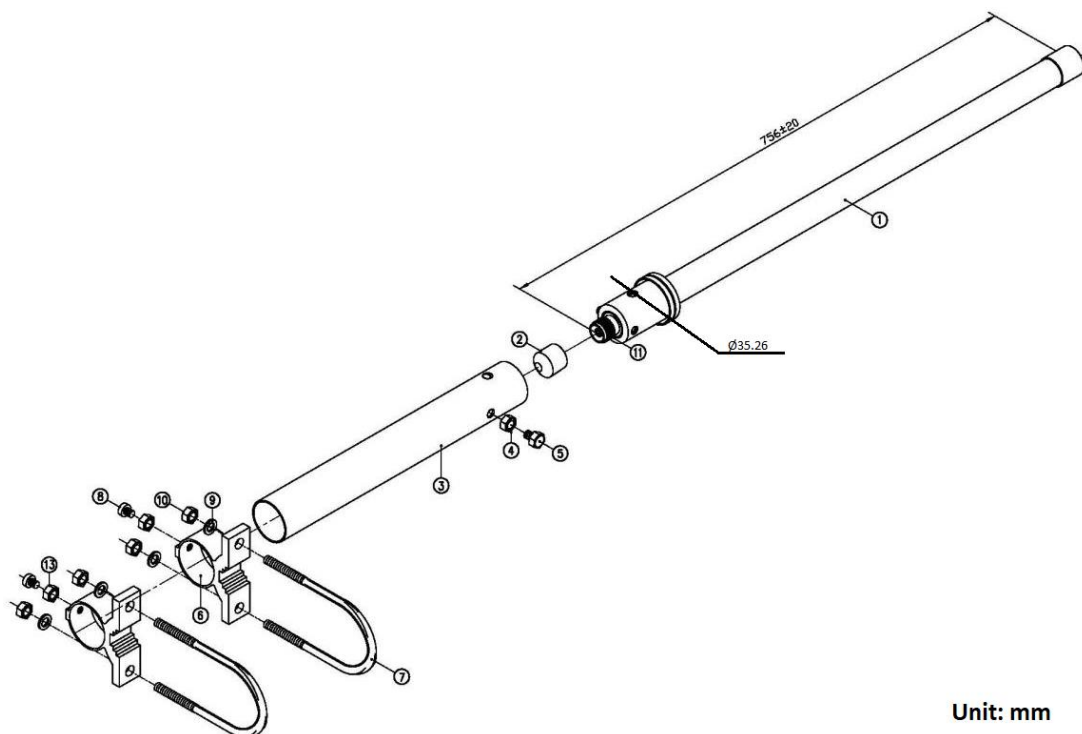


BENEFITS

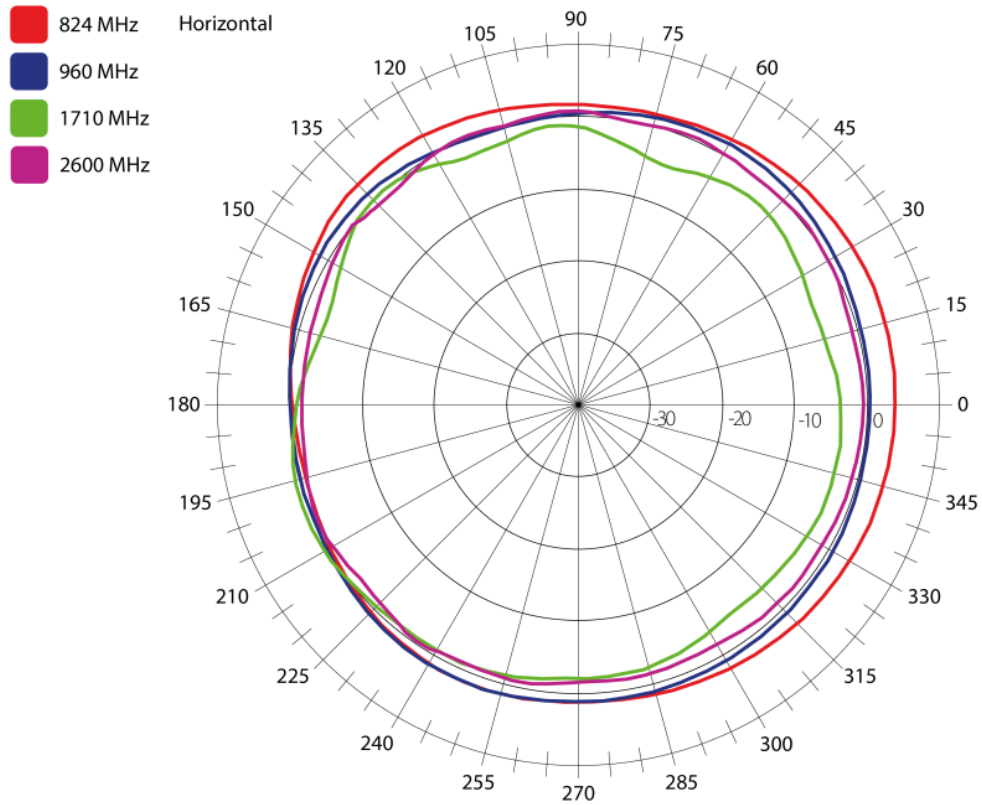
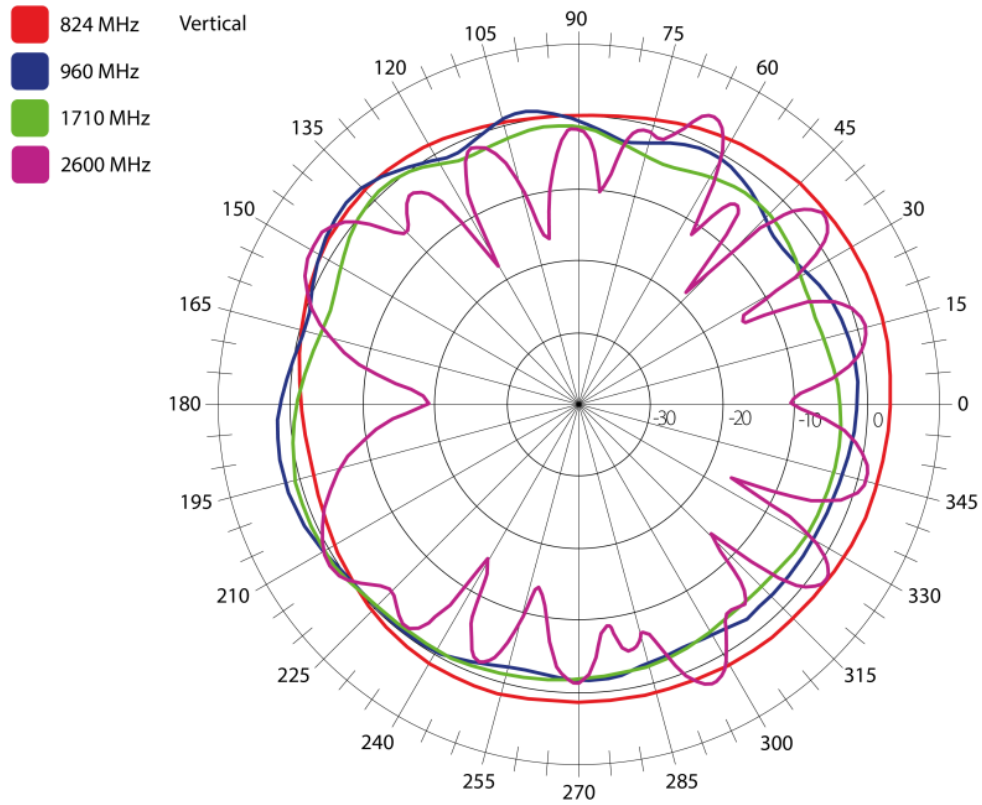
- Low VSWR
- Environmental resistance
- High frequency range

Technology	GSM/UMTS/LTE
Frequency bands	690/800/900/1700/1800/1900/2100/2500/2600/2700 MHz
Bandwidth	-
Gain	5 dBi
VSWR	< 3:1
Impedance	50 Ohm
Directivity	Omnidirectional
Beam angle	Attached graphs below
Polarization	Linear
Maximum input power	10 W
Power voltage	-
Dimensions	Ø35.26 x 756 mm
Weight	630 g
Operating temperature	-30 to +90 °C
Execution	External
Method of attachment	Pole Mount
Cable type	-
The cable length	-
Connector type	N(f)
Certification	RoHS

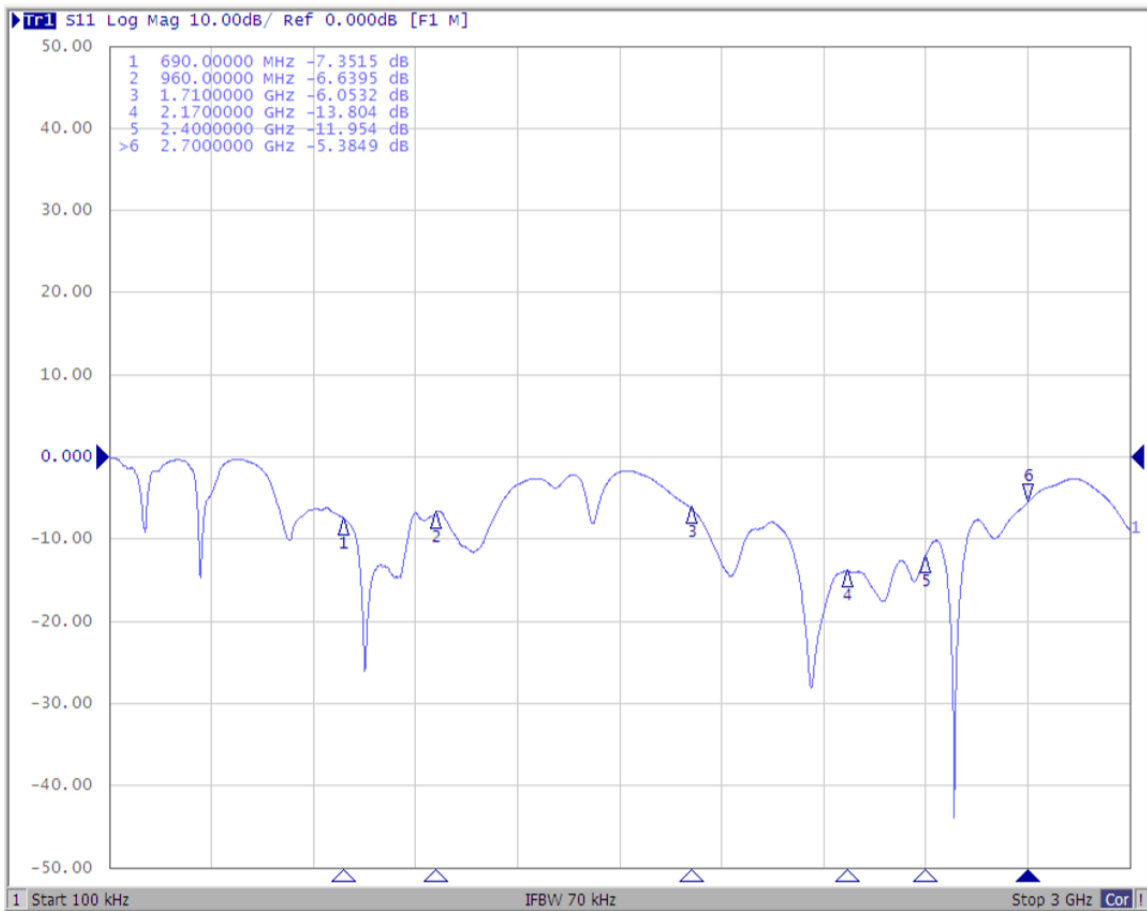
DRAWING



Radiation patterns

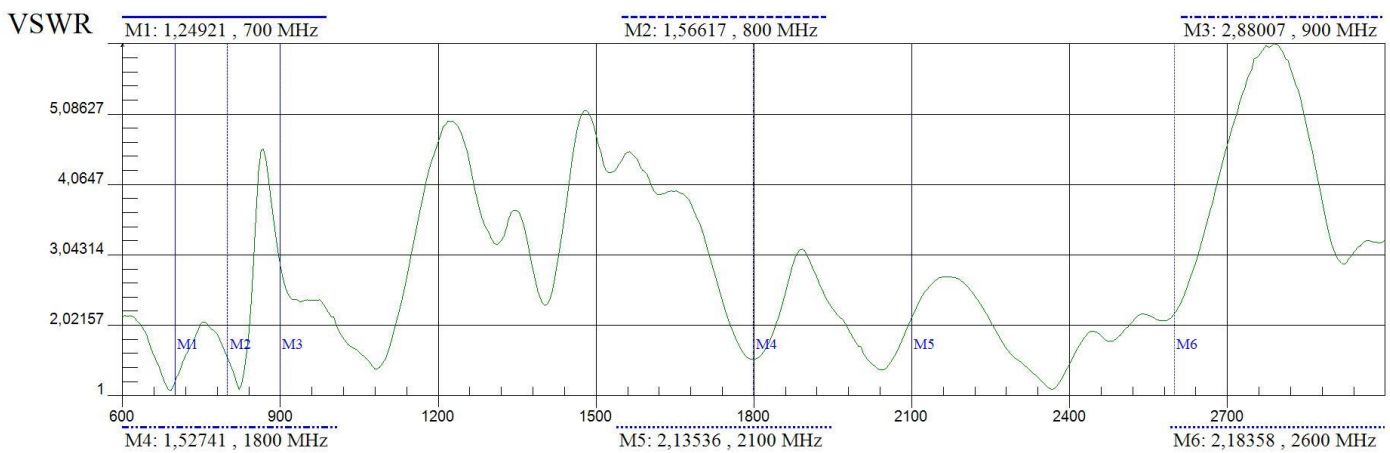


S₁₁ [dB] – Return loss



VSWR- Voltage standing wave ratio [-] LTE

VSWR
AO-ALTE-OM56



Date: 2022-02-11
Time:

Frequency(600 - 3000 MHz)
Resolution: 521
Cal: ON

IIM: OFF
Keysight
SN: CN0132000230

VARIANTS

Different connector variants or cable lengths are available on request.

CONTACTS

SECTRON s.r.o. Josefa Šavla 1271/12
709 00 Ostrava 9, Czech Republic

WWW.SECTRON.CZ
Tel.: +420 556 621 020