



GSM/UMTS/LTE ANTENNA

Antenna GSM/UMTS/LTE Magnet Mount 90,
5-9 dBi, SMA(m), .195, 1.5 m

AO-ALTE-MG9S-2

SECTRON company offers a wide portfolio of GSM/UMTS/LTE antennas with various versions differing in shape, level of gain and manner of attachment. SECTRON guarantees a compatible connection between an antenna and all antenna adaptors produced by SECTRON.

BENEFITS

- Easy installation
- Magnet Mount

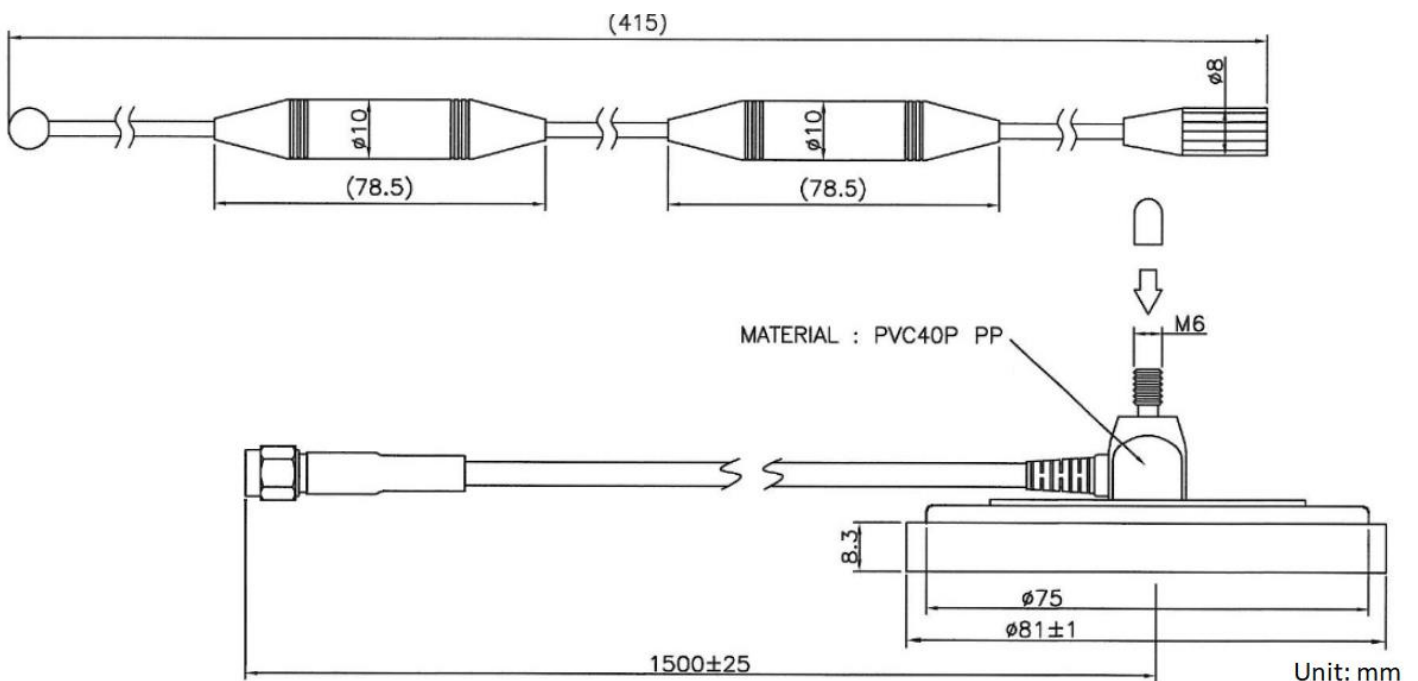


FEATURES

AO-ALTE-MG9S-2

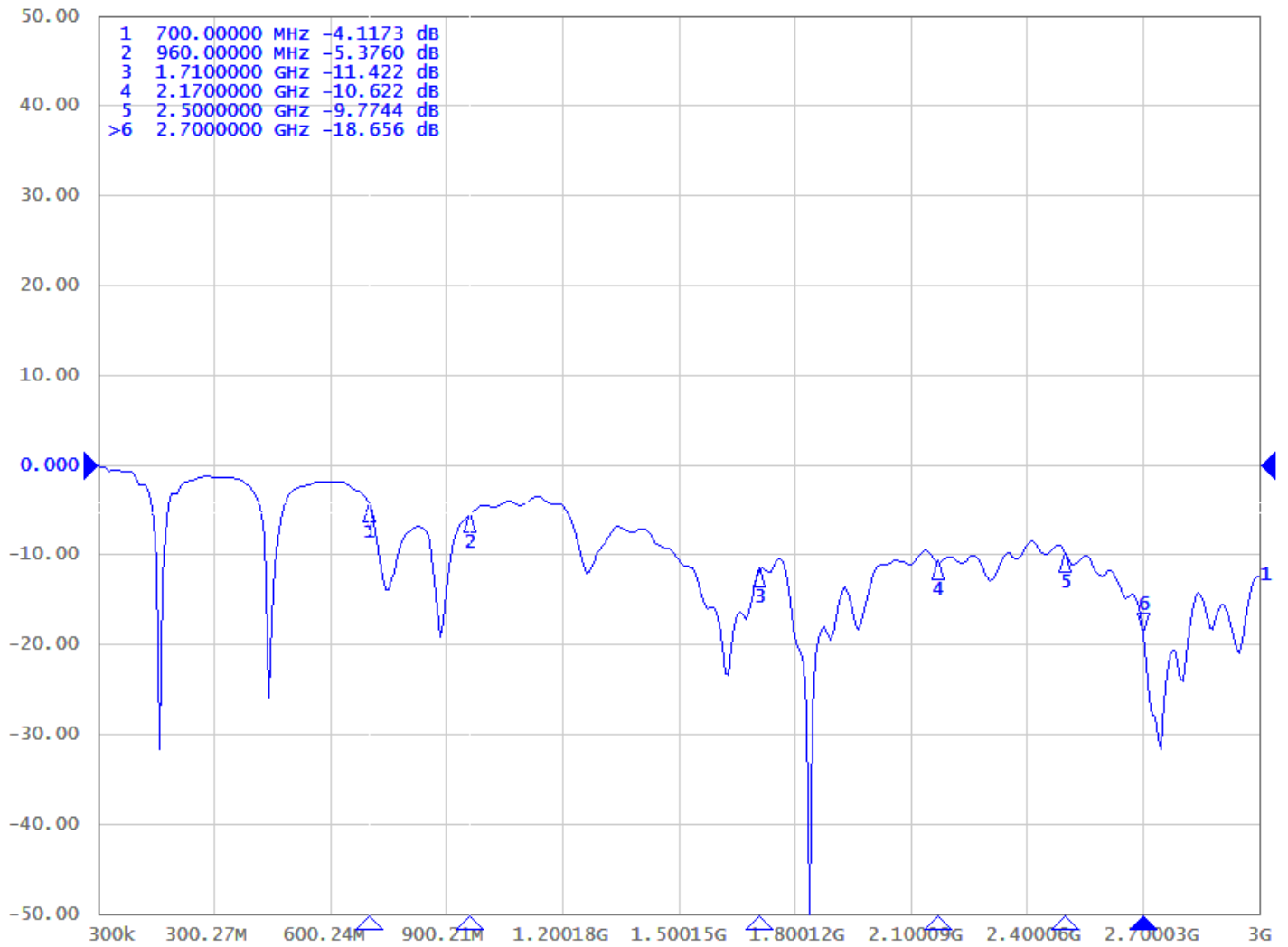
Technology	GSM/UMTS/LTE
Frequency bands	700/800/900/1700/1800/1900/2100/2500/2600/2700 MHz
Bandwidth	-
Gain	5 dBi
VSWR	<2.0:1
Impedance	50 Ohm
Directivity	Omnidirectional
Beam angle	H 360° V 30°
Polarization	Linear
Maximum input power	10 W
Power voltage	-
Dimensions	Ø81 x 447 mm
Weight	-
Operating temperature	-30 to +90 °C
Execution	External
Method of attachment	Magnet Mount
Cable type	.195
The cable length	1.5 m
Connector type	SMA(m)
Certification	ISO 9001, ISO14001, RoHS

DRAWING

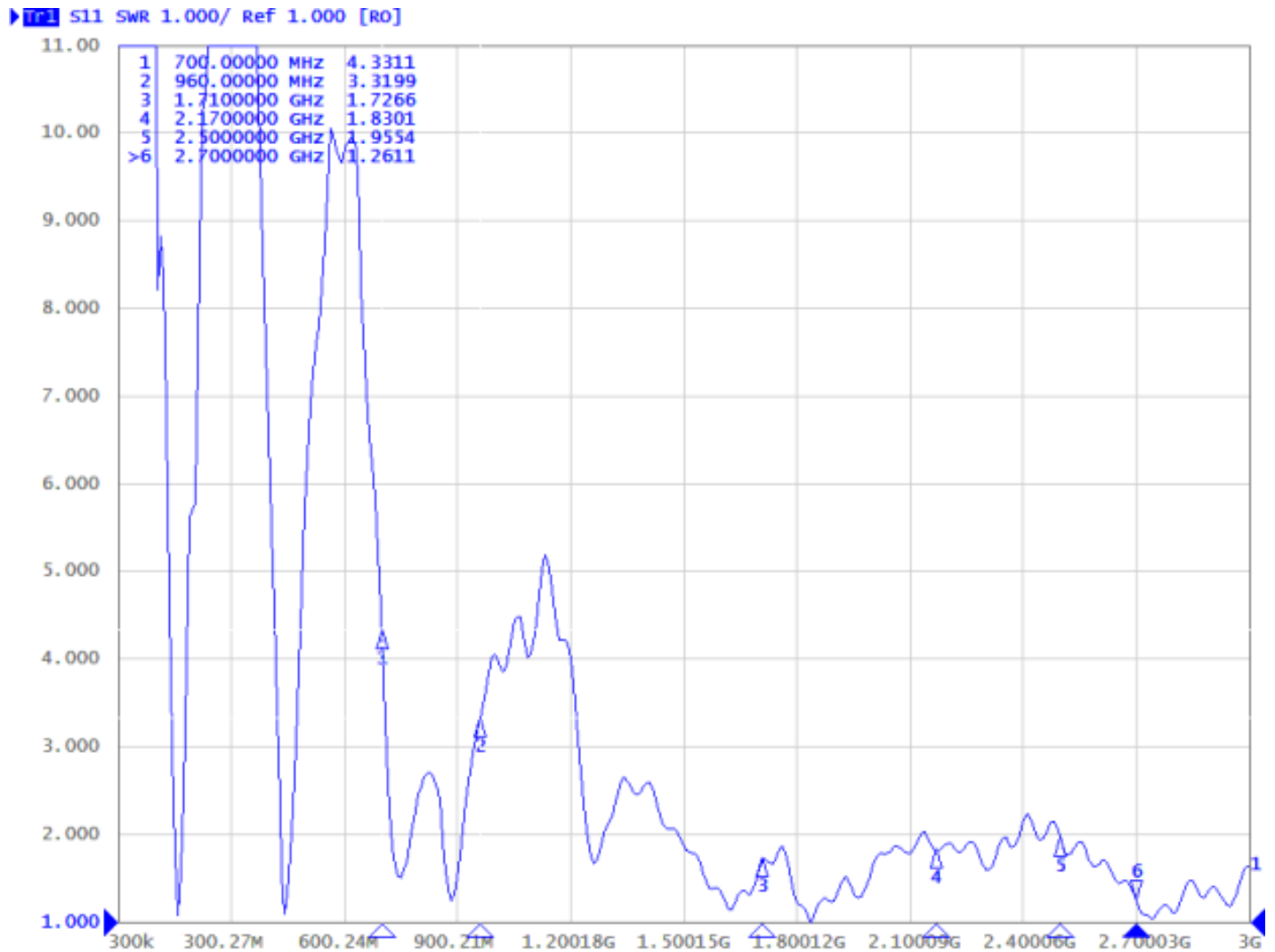


S11 – RETURN LOSS

▶ S11 Log Mag 10.00dB/ Ref 0.000dB [RO]



VSWR



VARIANTS

Different connector variants or cable lengths are available on request.

CONTACTS