



LTE ANTENNA

Antenna LTE Magnet Mount 50,
3-5 dBi, SMA(m), RG174/3m
AO-ALTE-MG5S

SECTRON company offers a wide portfolio of LTE antennas with various versions differing in shape, level of gain and manner of attachment. SECTRON guarantees a compatible connection between an antenna and all antenna adaptors produced by SECTRON.

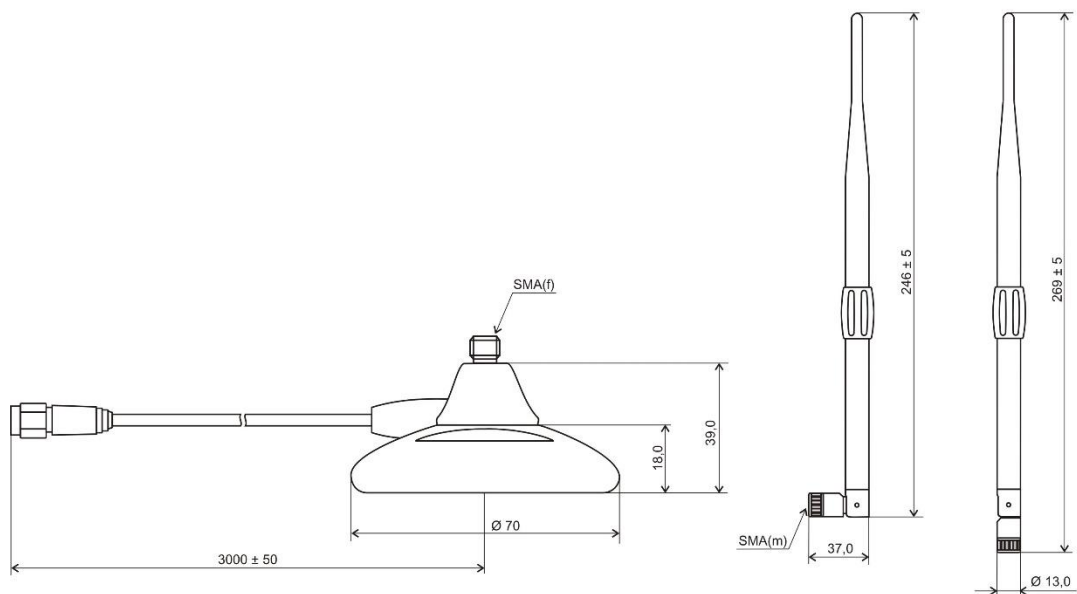
BENEFITS

- Adjustable angle
- Low VSWR
- High frequency range

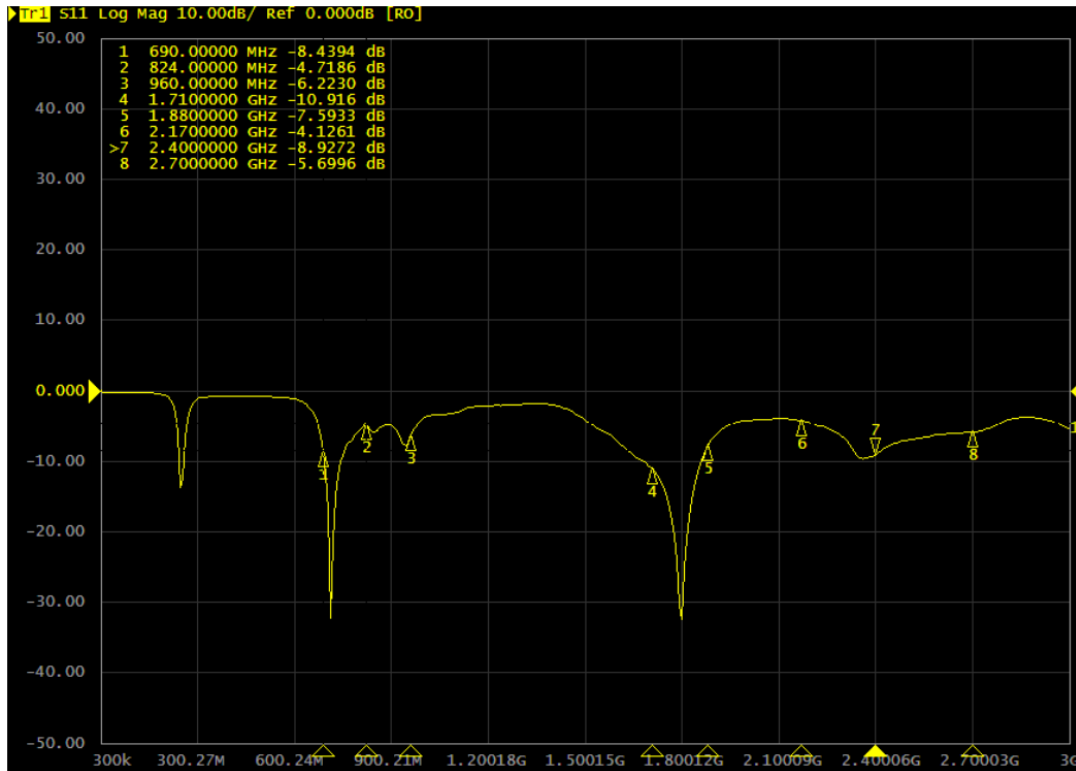


Technology	LTE
Frequency bands	690/960/1710/1880/2400 MHz
Bandwidth	-
Gain	3 dBi
VSWR	< 2.7:1
Impedance	50 Ohm
Directivity	Omnidirectional
Beam angle	Attached graphs below
Polarization	Linear
Maximum input power	10 W
Power voltage	-
Dimensions	Ø 70 x mm
Weight	214.64 g
Operating temperature	-30 to +80 °C
Execution	External
Method of attachment	Magnet Mount
Cable type	RG174/U
The cable length	3 m
Connector type	SMA(m)

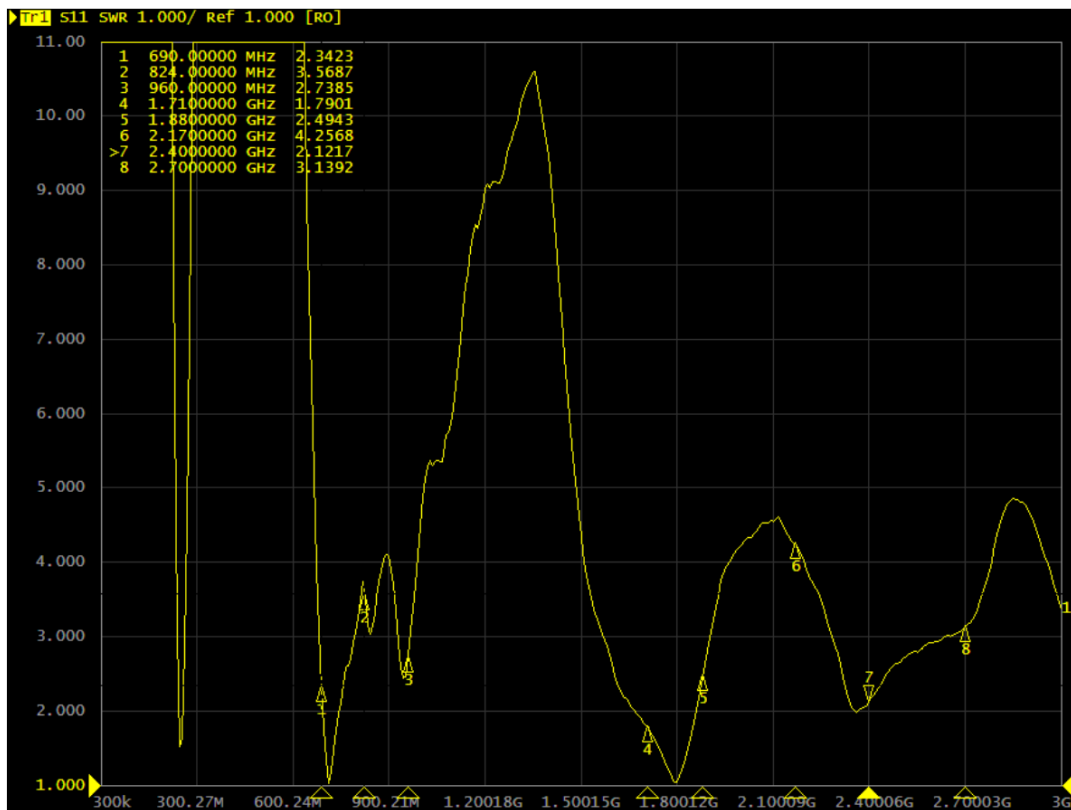
DRAWING

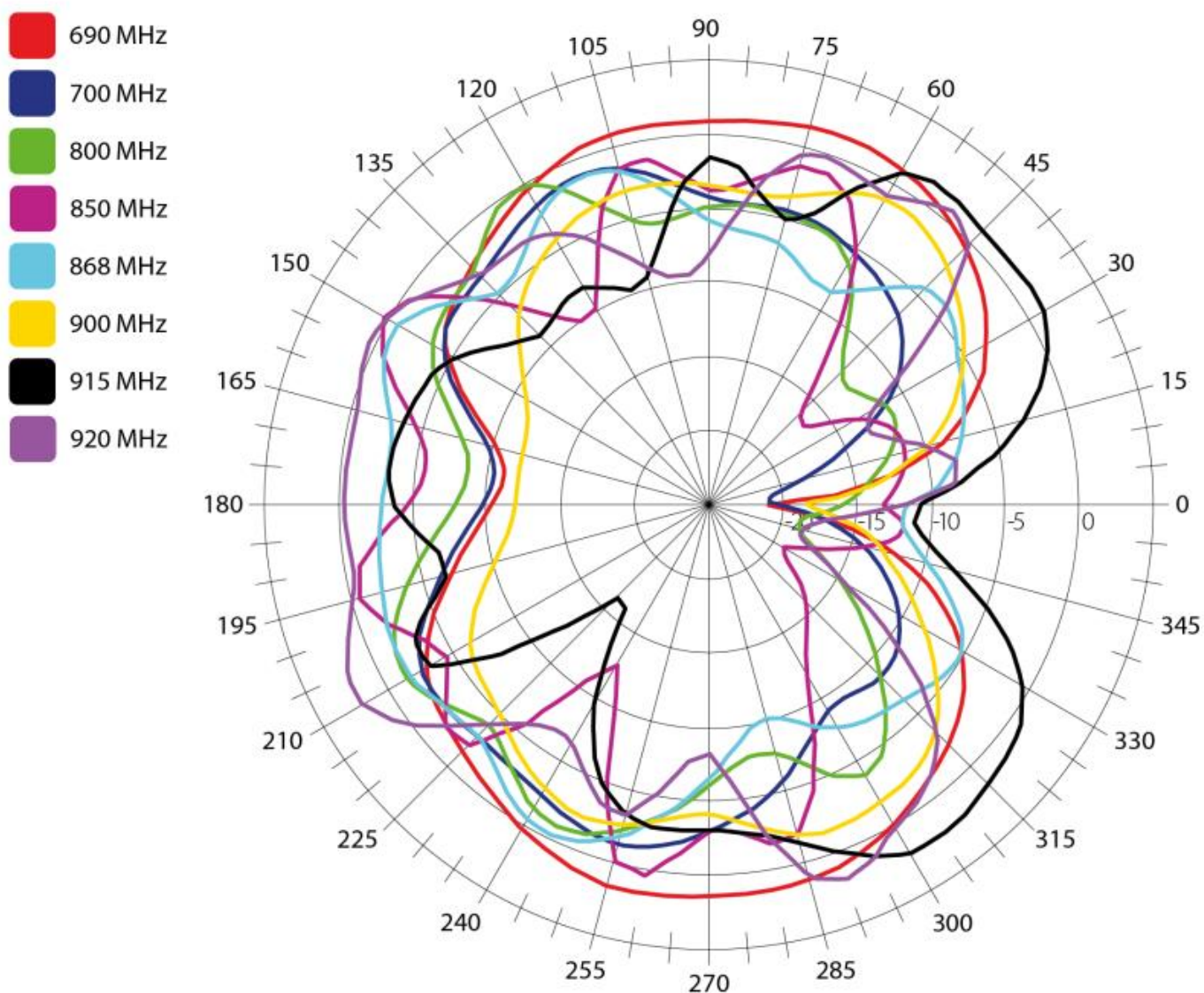


S₁₁ – Return loss [dB]



VSWR – Voltage standing wave ratio [-]





VARIANTS

Different connector variants or cable lengths are available on request

CONTACTS

SECTRON s.r.o. Josefa Šavla 1271/12
709 00 Ostrava 9, Czech Republic

WWW.SECTRON.CZ
Tel.: +420 556 621 020