



GSM/UMTS/LTE ANTENNA

Connector Mount 405, 3-5 dBi,
SMA(m), Hinged

AO-ALTE-MG5SP

SECTRON company offers a wide portfolio of GSM/UMTS/LTE antennas with various versions differing in shape, level of gain and manner of attachment. SECTRON guarantees a compatible connection between an antenna and all antenna adaptors produced by SECTRON.

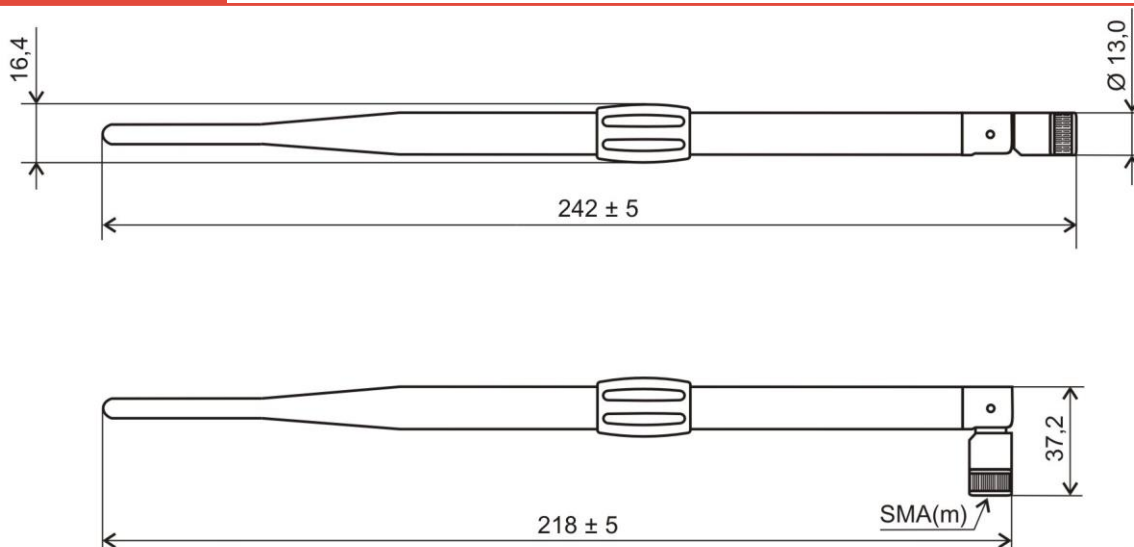


BENEFITS

- Adjustable angle
- No cable required
- High frequency range

Technology	GSM/UMTS/LTE
Frequency bands	690/800/900/1800/1900/2100 MHz
Bandwidth	-
Gain	3-5 dBi
VSWR	<3.5:1
Impedance	50 Ohm
Directivity	Omnidirectional
Beam angle	H 360° V 30°
Polarization	Linear
Maximum input power	10W
Power voltage	-
Dimensions	90°: 218 x 37.2 x 16.4; 180°: 242 x Ø 16.4 mm
Weight	45 g
Operating temperature	-20 to + 55 °C
Execution	External
Method of attachment	Connector Mount
Cable type	-
The cable length	-
Connector type	SMA(m)

DRAWING



Unit: mm

CONTACTS