



GSM/UMTS/LTE ANTENNA

Antenna LTE MIMO Magnet Mount FLAT MT19,
5 dBi, 2x SMA(m), 2x RG58U/5m, IP65

AO-ALTE-MG3DS5

SECTRON company offers a wide portfolio of GSM/UMTS/LTE antennas with various versions differing in shape, level of gain and manner of attachment. SECTRON guarantees a compatible connection between an antenna and all antenna adaptors produced by SECTRON.

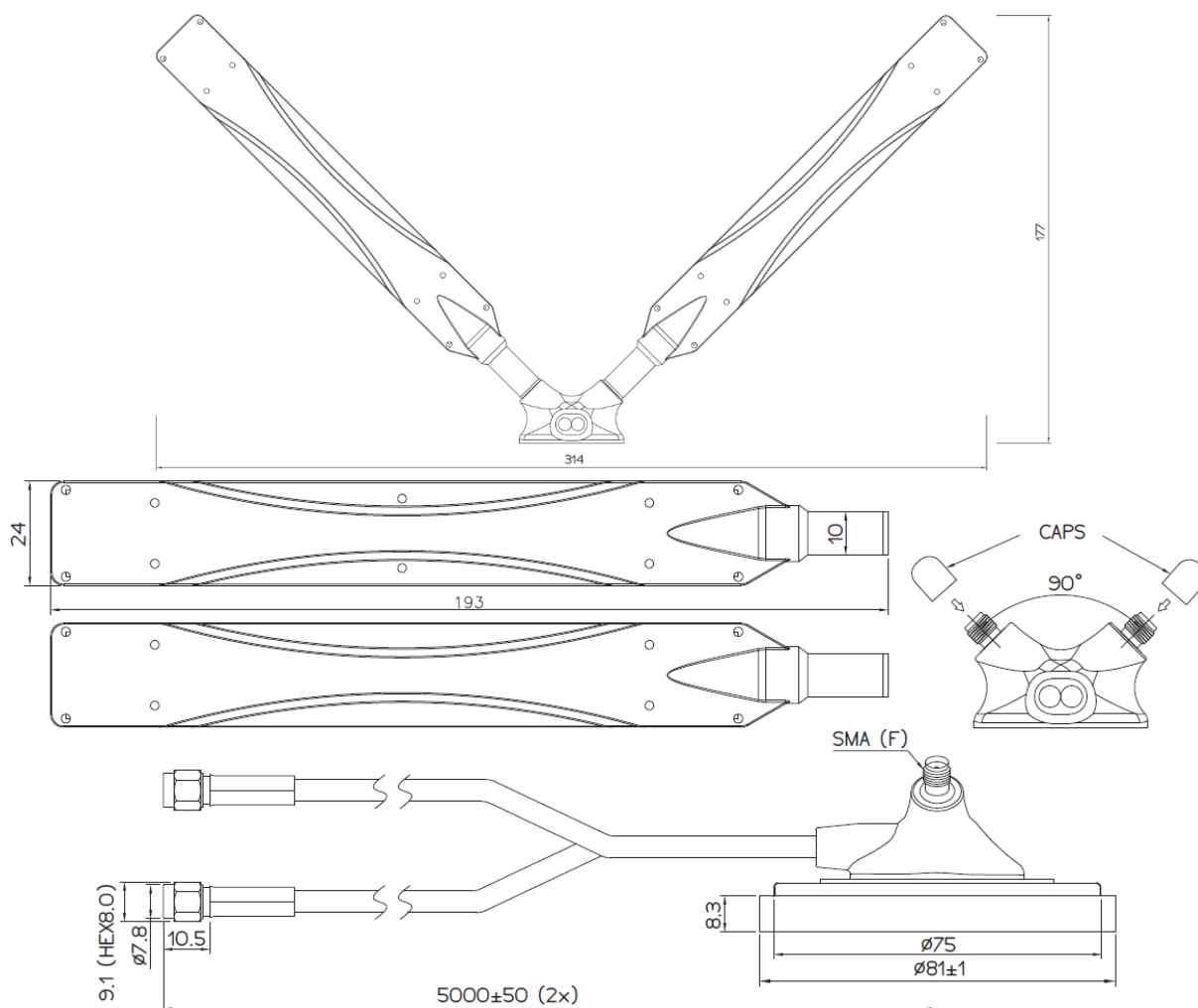
BENEFITS

- Low VSWR
- Optimized high frequency Gain
- Flexible

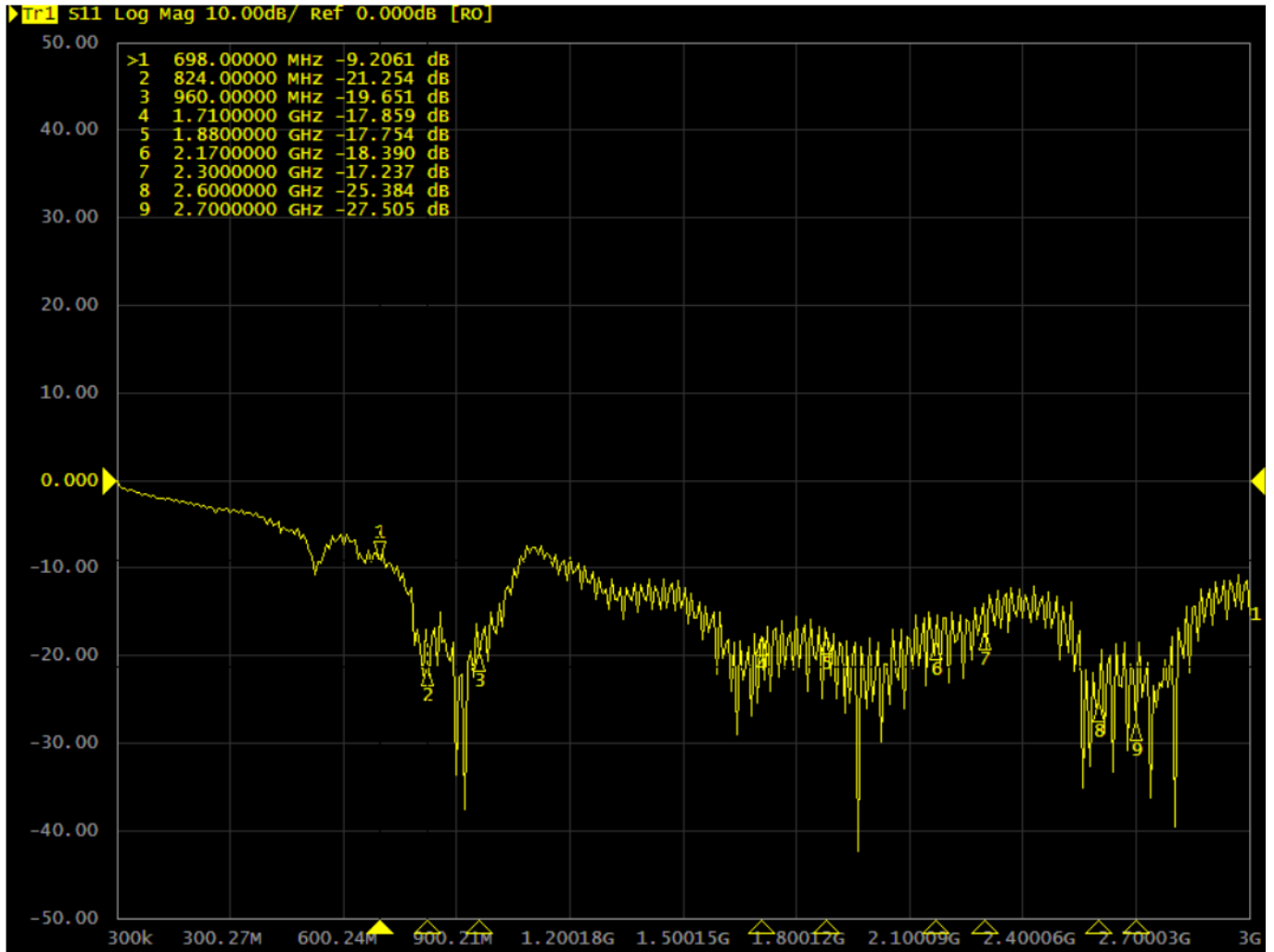


Technology	GSM/UMTS/LTE
Frequency bands	700/800/900/1700/1800/1900/2100/2300/2400/2500/2600/2700 MHz
Bandwidth	-
Gain	5 dBi
VSWR	<2.0: 1
Impedance	50 Ohm
Directivity	Omnidirectional
Beam angle	H 360° V 30°
Polarization	Vertical
Maximum input power	10 W
Power voltage	-
Dimensions	∅ 80 x 177 x 314 mm
Weight	588.76 g
Operating temperature	-
Execution	External
Method of attachment	Magnet Mount
Cable type	2x RG-58/U
The cable length	2 x 5 m
Connector type	2 x SMA (m)

DRAWING



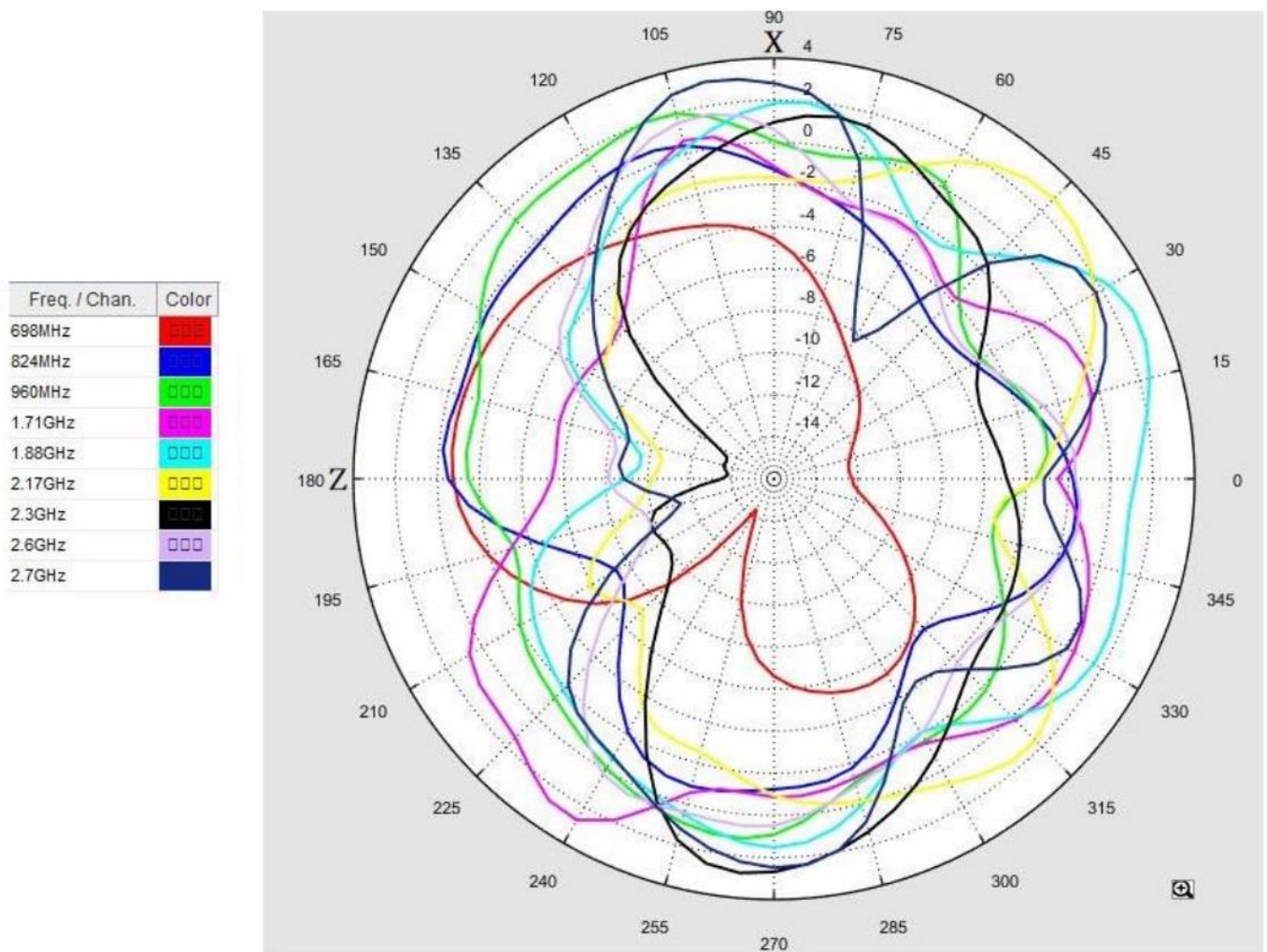
S11 - Return Loss of LTE antenna [dB]



VSWR – Voltage standing wave ratio of LTE antenna [-]



RADIATION PATTERN - 2D



CONTACTS

SECTRON s.r.o. Josefa Šavla 1271/12
709 00 Ostrava 9, Czech Republic

WWW.SECTRON.CZ
Tel.: +420 556 621 020