



LTE ANTENNA

Antenna LTE Adhesive G108L,
2.5 dBi, SMA(m), RG174/3m

AO-ALTE-G108LS

SECTRON company offers a wide portfolio of LTE antennas with various versions differing in shape, level of gain and manner of attachment. SECTRON guarantees a compatible connection between an antenna and all antenna adaptors produced by SECTRON.

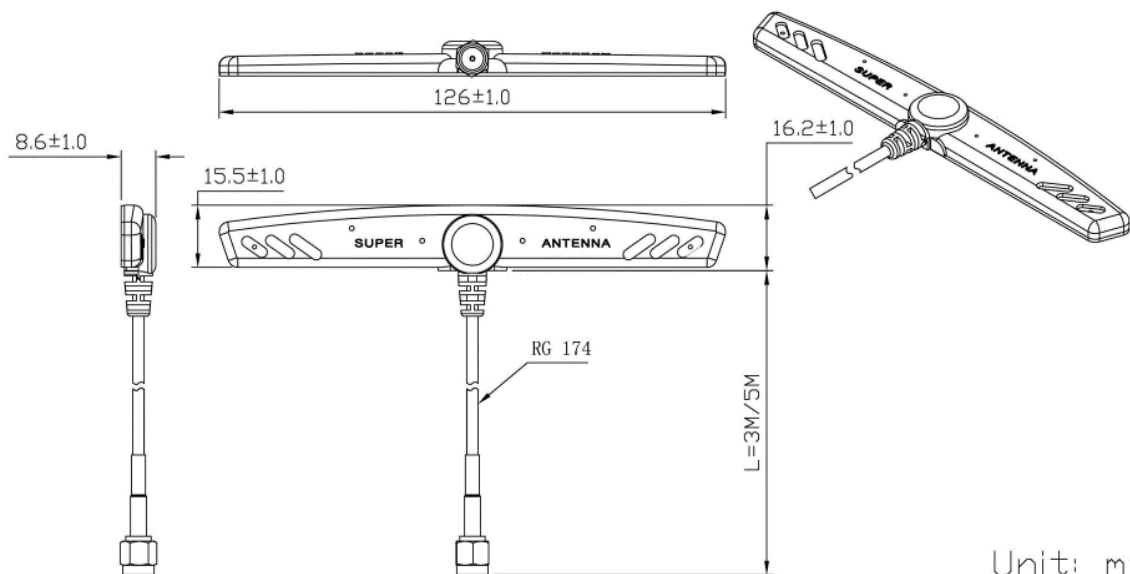


BENEFITS

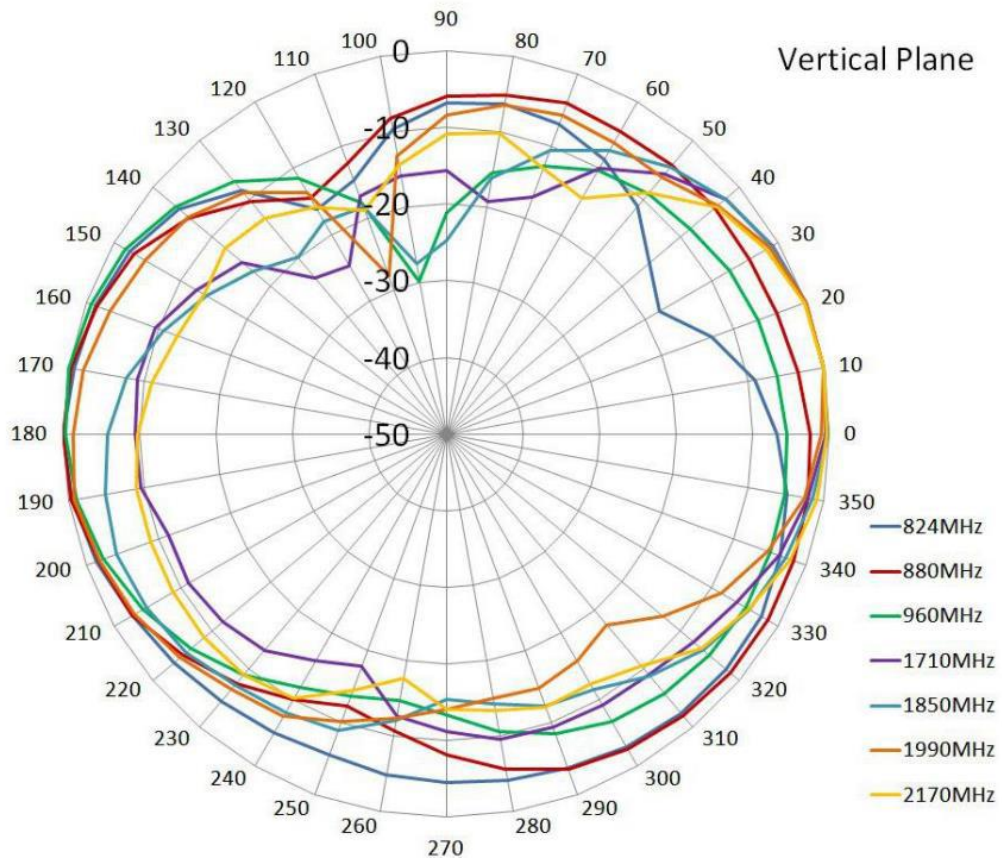
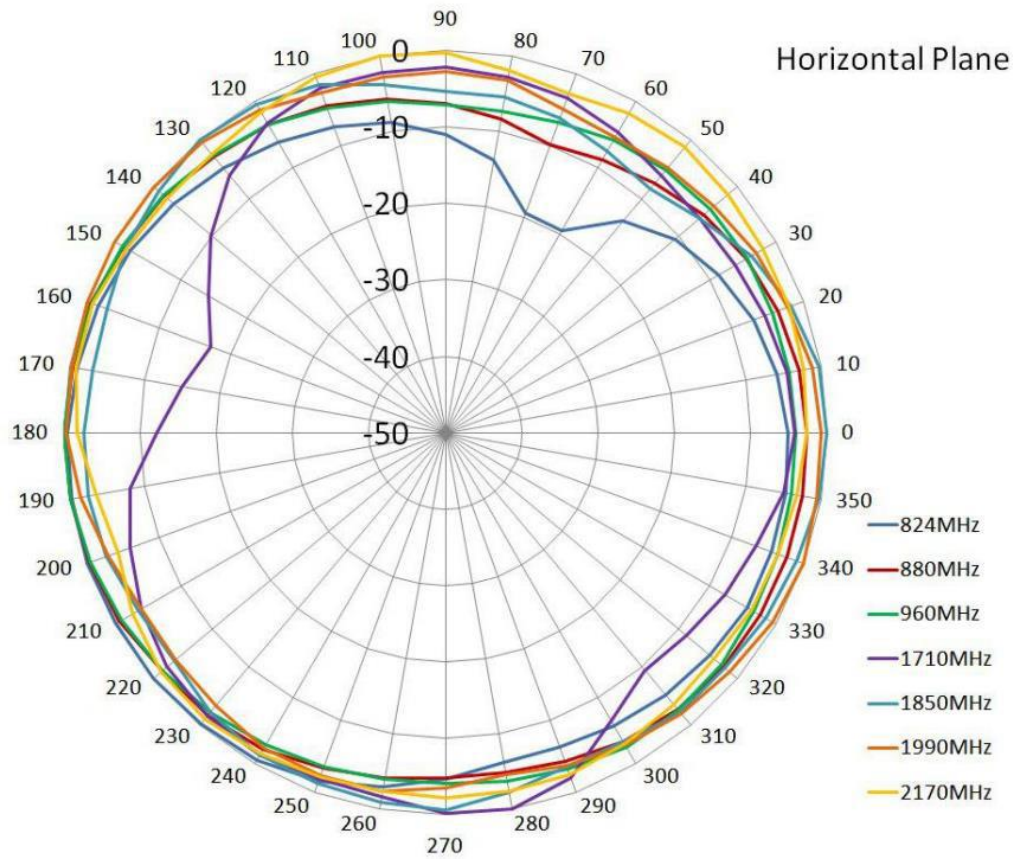
- Low VSWR
- Easy installation
- High frequency range

Technology	GSM/UMTS/LTE
Frequency bands	800/900/1700/1800/1900/2100/2600 MHz
Bandwidth	-
Profit	2.5 dBi
VSWR	<2.0:1
Impedance	50 Ohm
Directivity	Omnidirectional
Beam angle	H-360°, V-30°
Polarization	Horizontal
Maximum input power	10 W max.
Power voltage	-
Dimensions	126 x 16.2 x 8.7 mm
Weight	48 g
Operating temperature	-40 to +85 °C
Execution	External
Method of attachment	Adhesive
Cable type	RG174/U
The cable length	3 m
Connector type	SMA(m)

DRAWING



Unit: mm



Different connector variants or cable lengths are available on request.

CONTACTS

SECTRON s.r.o. Josefa Šavla 1271/12
709 00 Ostrava 9, Czech Republic

WWW.SECTRON.CZ
Tel.: +420 556 621 020