



GSM/UMTS/LTE ANTENNA

Antenna LTE Mounting 058,
SMA(m) 90°, RG316/ 1.5 m

AO-ALTE-G058

SECTRON company offers wide portfolio GSM/UMTS/LTE antennas with various versions differing in shape, level of gain or attachment manner. SECTRON guarantees compatible connection between antenna and all antenna adaptors produced by SECTRON.

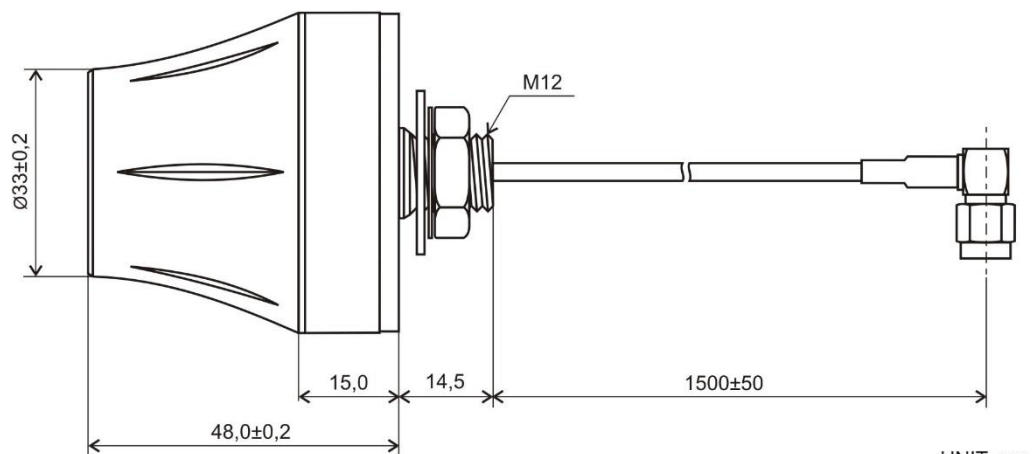
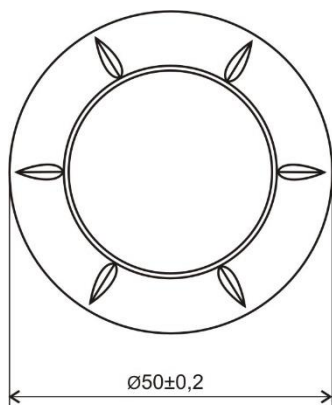


BENEFITS

- Anti-vandal design
- High frequency range
- Omnidirectional – suitable for moving devices

Technology	GSM/UMTS/LTE
Frequency bands	700/800/900/1800/1900/2100/2600 MHz
Bandwidth	-
Gain	4 dBi
VSWR	<2.3:1
Impedance	50 Ohm
Directivity	Omnidirectional
Beam angle	H 60° V 75°
Polarization	Linear
Maximum input power	10 W
Power voltage	-
Dimensions	63 x Ø50 mm
Weight	± 144 g
Operating temperature	-40 to +85 °C
Execution	External
Method of attachment	Mounting
Cable type	RG316
The cable length	1.5 m
Connector type	SMA(m) 90°
IP Code	IP67

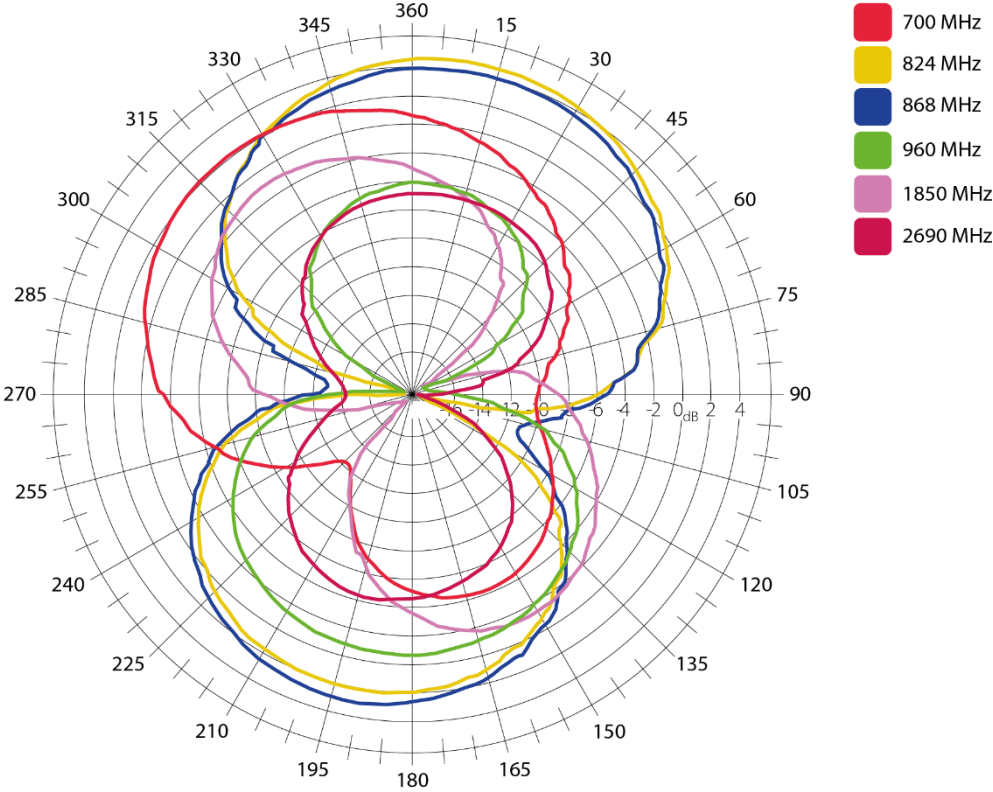
DRAWING



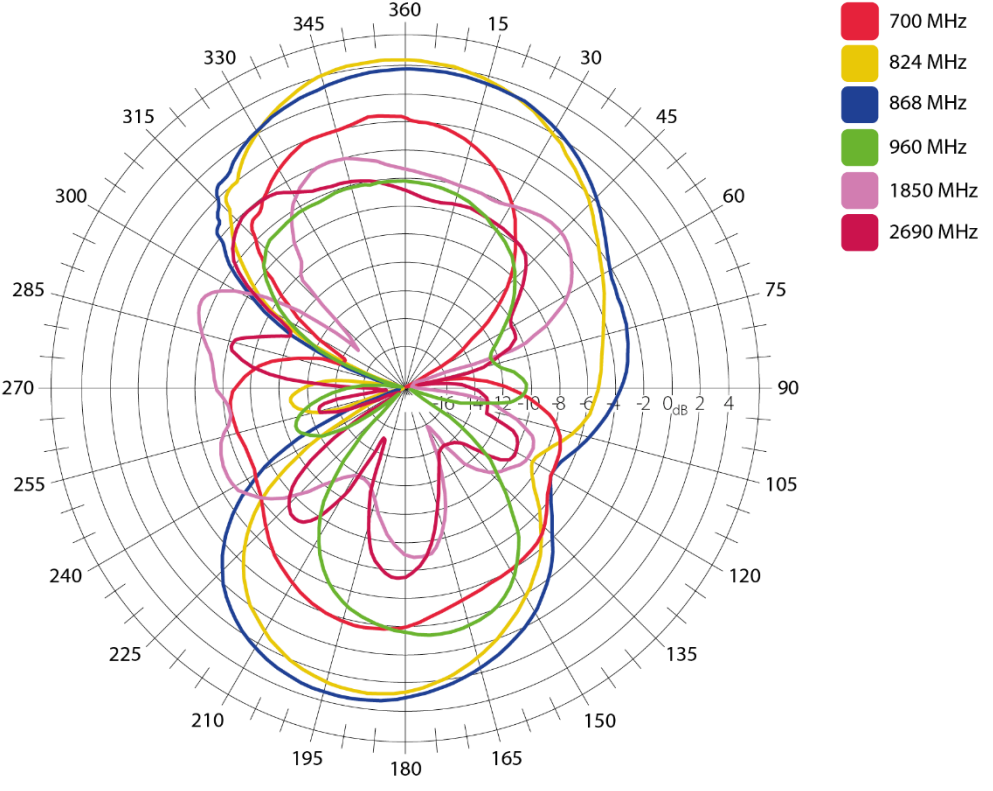
UNIT: mm

Radiation pattern

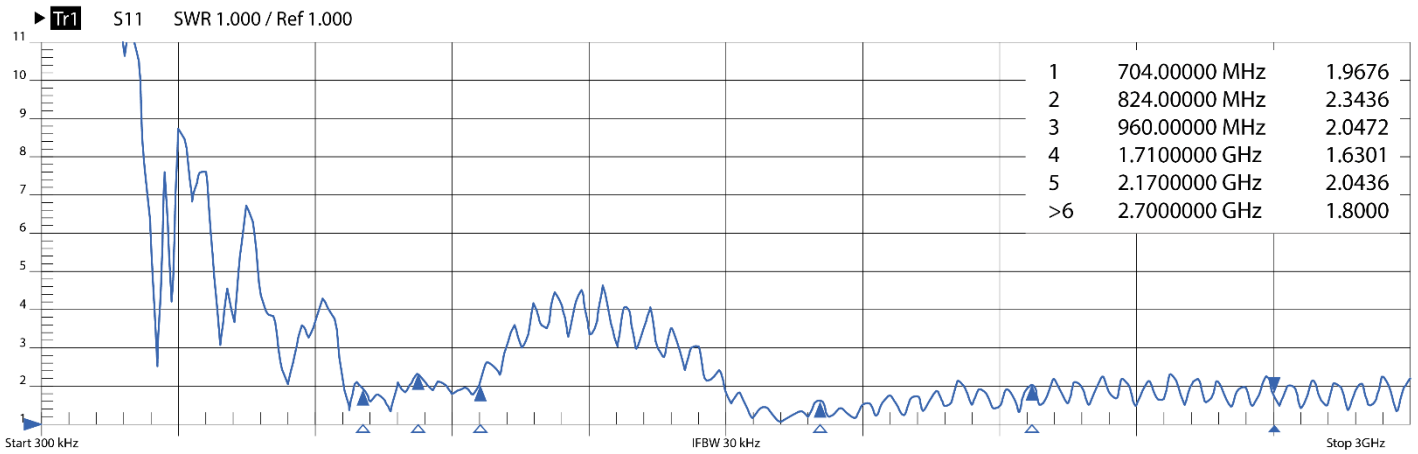
YZ Plane



XY Plane



VSWR



Frequency [MHz]	Peak gain [dBi]	VSWR 50 Ω
698-960	4.5	<2:1
1710-2170	2.5	
2300-2700	2	

CONTACTS